

# **BULLET**

BY MARSHALLTOWN®

## **13" MAGNUM EDGE FLOORING SHEAR**

Part# MS90-1913 | EDI# 29987



104 S. 8th Ave. | Marshalltown, IA  
Phone 800-888-0127 / 641-753-0127 | Fax 800-477-6341 / 641-753-6341  
[www.MARSHALLTOWN.com](http://www.MARSHALLTOWN.com)  
WS2637revA

## INTRODUCTION

Thank you for your purchase of the Bullet by Marshalltown 13" Magnum Edge Flooring Shear. This top-of-the-line shear is a versatile, heavy-duty flooring shear is manufactured in the USA with the highest-grade materials. We have designed this tool with the flooring professional in mind.

Your new 13" Magnum Edge Flooring Shear includes features such as:

- Easy and quiet one-cut action
- Ability to cut inside without dust, noise, or electrical cords
- Built-in ruler and moveable fence for 45 and 90-degree cuts
- LED light strip included for precision cuts
- A strong, lightweight aircraft grade aluminum construction
- Replaceable blade
- Steel ball bearings for unmatched cutting performance

And can cut materials up to 1" thick and 13" wide, including:

- Solid Hardwood Flooring (up to 1250 Janka)
- Engineered Wood Flooring (up to 1400 Janka)
- Laminate Flooring
- LVP/WPC/SPC/MLF
- Rigid Core
- Rubber Cove Base
- Soft Plastic
- PVC & Rubber Tile

This owner's manual provides the information needed to operate and maintain this 13" Magnum Edge Flooring Shear. Carefully read and follow all safety and operating instructions in this manual. Ensure every operator of this flooring shear reads this manual before operating the unit. The replacement of any part on this flooring shear with a component other than a manufacturer authorized replacement part may adversely affect the performance, durability, or safety of the product.

**Be sure safety precautions are observed. Read and follow all safety and operating instructions in this operator's manual.** The manufacturer reserves the right to make changes on or add improvements to its product at any time without prior notice or obligation. The manufacturer reserves the right to decide, upon its sole discretion and at any time, to discontinue this product or replacement parts thereof.

This manual covers the 13" Magnum Edge Flooring Shear. For technical questions or repair parts, please call MARSHALLTOWN customer service at 1-800-888-0127 or visit [www.MARSHALLTOWN.com](http://www.MARSHALLTOWN.com).

# TABLE OF CONTENTS

Introduction.....	2
Safety Precautions.....	3
Safety Decals .....	4
Warranty.....	4
Product Operation .....	5
Maintenance.....	7
Parts Breakdown .....	9
Troubleshooting.....	12

## SAFETY PRECAUTIONS



- DANGER or WARNING safety signs are located near specific hazards.
- General precautions are listed on CAUTION safety signs.

- This notation appears before warnings in the text. It means that the step that follows must be carried out to avoid the possibility of personal injury or death. These warnings are intended to help the technician avoid any potential hazards encountered in the normal service procedures. We strongly recommend that the reader takes advantage of the information provided to prevent personal injury or injury to others.

THE FOLLOWING PRECAUTIONS ARE SUGGESTED TO HELP PREVENT ACCIDENTS. A CAREFUL OPERATOR IS THE BEST OPERATOR. MOST ACCIDENTS CAN BE AVOIDED BY OBSERVING CERTAIN PRECAUTIONS. READ AND TAKE THE FOLLOWING PRECAUTIONS BEFORE OPERATING THIS EQUIPMENT TO HELP PREVENT ACCIDENTS. EQUIPMENT SHOULD BE OPERATED ONLY BY THOSE WHO ARE RESPONSIBLE AND INSTRUCTED TO DO SO.



**CALIFORNIA PROPOSITION 65 WARNING:** This product can expose you to chemicals known to the State of California to cause cancer, birth defects, or other reproductive harm.

- Read all operating and maintenance instructions before operating or servicing the flooring shear.
- A flooring shear is only as safe as its operator. Give complete and undivided attention to the operation of the flooring shear.
- Know how to stop the flooring shear instantly.



**NEVER** operate the flooring shear if any shear components have been removed.

- Keep inexperienced and unauthorized people away from the flooring shear at all times.
- Keep the flooring shear in good operational condition. Loose or damaged parts are dangerous.
- Avoid loose clothing that could get caught in moving parts.



Keep hands and feet away from moving parts.

- Keep all warning, caution and safety instruction labels in good condition. Replace missing, damaged or illegible labels.
- Clear the work area around the shear to prevent tripping or falling onto the shear.
- Operate on level ground to prevent the flooring shear from flipping over.
- DO NOT OPERATE this flooring shear under the influence of alcohol or while taking medication that impairs your reactions.
- Use only factory authorized parts for replacement.
- Wear safety glasses when operating the flooring shear.
- Always use caution when replacing the shear blade.
- Only operate the shear with the approved materials. If extreme force is required to cut a material, it may result in personal injury and/or damage to the flooring shear.
- Wear proper protective clothing while operating flooring shear, including eye, ear, and clothing.
- Handle all solvents and cleaning agents with care and follow manufacturer's instructions on safety and disposal.

## SAFETY DECALS

If your safety decals are damaged, they can be replaced by contacting Customer Service.

Blade Warning Label



R6166

Handle Warning Label



R7566

## WARRANTY

This product is warranted to the original purchaser only, to be free of defects in material and workmanship under normal use, for 5 years from purchase date. MARSHALLTOWN shall without charge for parts and labor, repair or replace such parts which are found to be defective. All transportation charges for replacement parts must be borne by the purchaser.

For warranty service, the product must be delivered, with proof of purchase date, to MARSHALLTOWN. Contact MARSHALLTOWN Customer Service to determine the best method of delivering the product that is under warranty. The delivery of the product must be made no later than 30 days after the expiration of the warranty period.

All implied warranties, including those of merchantability and fitness for a particular purpose, are limited to one year from date of purchase by the original retail customer and to the extent permitted by law any and all implied warranties are excluded and disclaimed after the expiration of such period.

Some states do not allow limitations on how long an implied warranty lasts, or the exclusion or limitations of incidental or consequential damages, so the above limitations or exclusions may not apply to you. This warranty gives you specific legal rights, and you may also have other rights, which vary from state to state.

Exclusion from this warranty:

1. All consequential damages, including pickup and delivery of the unit, communication, mileage charges and/or rental of a replacement unit during repairs are not covered under this warranty, or are any loss of income and/or other loss resulting from the failure of the product to function due to a warranty defect.
2. This warranty will not apply when the product becomes inoperative due to misuse, normal wear, neglect, improper maintenance, accident or freight damage; has not been operated and maintained in accordance with the instructions furnished in the Operator's Manual; or has been altered or modified without approval from the factory Service Department.
3. No parts or products are to be returned to the factory without prior written approval from the factory.



## PRODUCT OPERATION

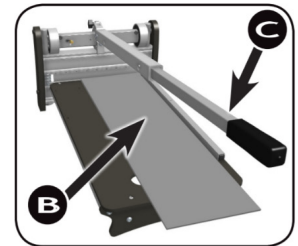
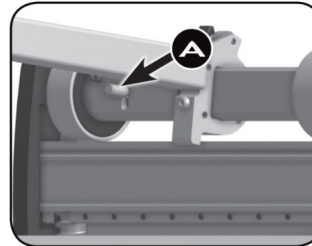
Note: Every 1" of width requires approximately 40lb (18kg) on the handle. (e.g. a 4" wide plank requires 160lb (72kg) to cut, 5" wide plank requires 200lb (90kg) to cut.)

### MAKING CUTS

The Magnum Edge Hardwood Shear is operated manually. The two-part extendable handle is grasped by the operator and pushed down to make a cut.

#### CUTTING

1. To unlock, gently press handle down, slide Bullet Cam-Lock (A) in and down.
2. Place Material (B) on table, and slide under blade to desired cut position.
3. Push handle (C) down until material is completely cut.



#### ADJUSTMENTS

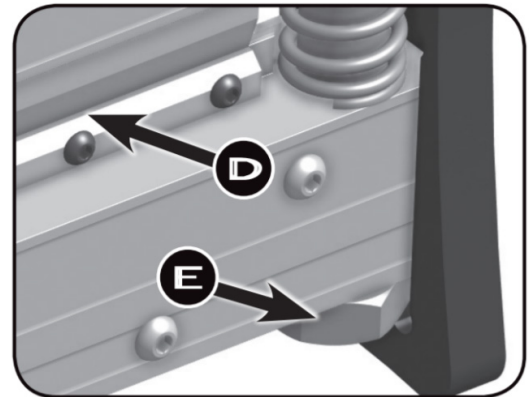
The blade should be set so it cuts into the plastic blade stop (D) when the handle is pressed down.

To set the blade depth, rotate the two large nuts (E) on the underside of the base with a 1½" (38mm) wrench.

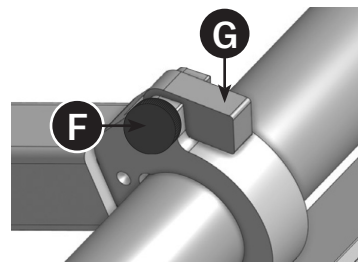
Ensure that both are turned an equal amount.

Adjust in ¼ turn increments and check to see how deep the blade is set.

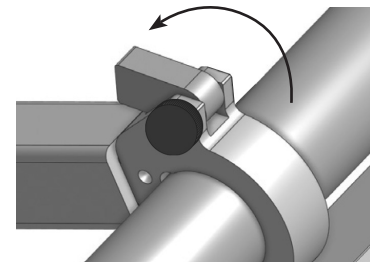
To open the blade to cut 1" material, loosen the Back Stop Knob (F) and rotate the Back Stop (G) up.



*Please note: Approved materials may vary in density and hardness. If extreme pressure is required to cut a product, it may result in damage to your machine. Please contact MARSHALLTOWN before proceeding. Warranty is void if an unapproved product damages the machine.*



BACKSTOP DOWN

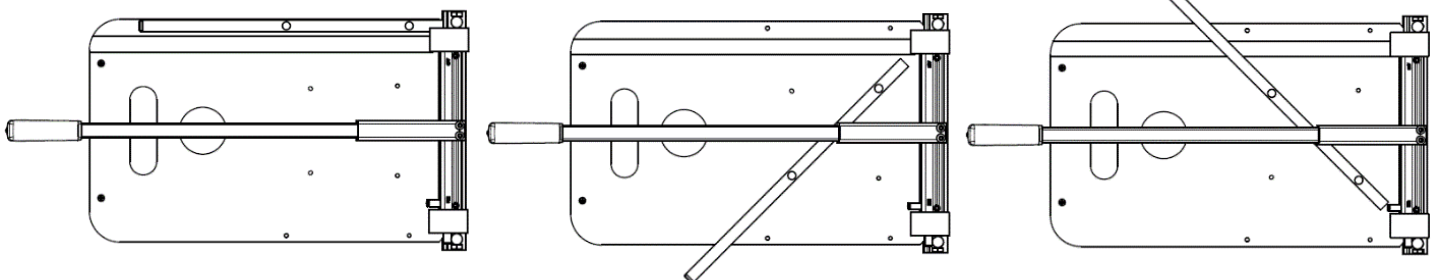


BACKSTOP UP

### 45 DEGREE CUTS

Firmly lift the friction-fit fence to remove it from the table and press back down in the appropriate 45-degree position.

NOTE: This image is for the Marksman. Your shear may look slightly different.



## SAFETY LOCK

For maximum security, the safety lock will automatically reset in the “locked” position unless disengaged. The safety lock can be disengaged by sliding the knob over and down, hooking into slot. (Shown Right)

## TRANSPORT

It is important to re-engage lock and secure unextended handle in down position while storing, carrying, or transporting your Magnum Edge Flooring Shear.

## TIP: DOUBLE CUTTING

Most materials shear very well with just one cut. However, some brands may require cutting twice to produce a better cut.

Simply make your first cut  $\frac{1}{8}$ " to  $\frac{1}{4}$ " (3 to 6mm) longer than your mark, then go back and make your second cut on your mark. This is very useful to create a cleaner cut when a trim molding or transition cannot be used to cover your cut end.



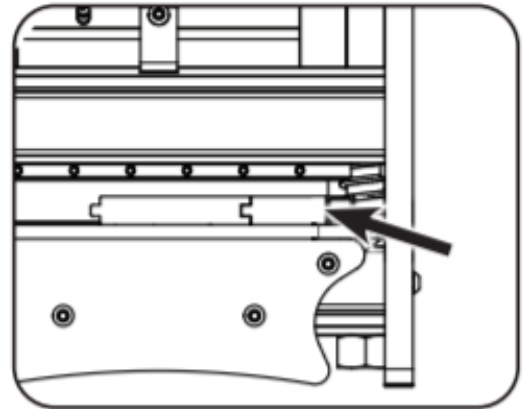
CAM LOCK IN LOCKED POSITION



CAM LOCK IN UNLOCKED POSITION

## TIP:

If the groove of your planks splits when cutting, rip a scrap piece and place it along side as a support.

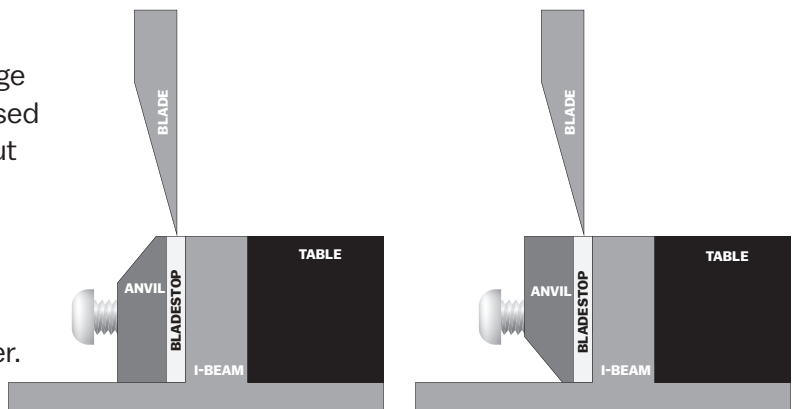


## THE ANVIL

The anvil has two edges: a  $\frac{1}{32}$ " (0.75mm) narrow edge and a  $\frac{3}{16}$ " (4.5mm) wide edge. Either edge can be used according to the support needed to make a clean cut (some soft-backed products require the wider anvil edge).

## TO CHANGE BETWEEN ANVIL EDGES

Simply remove the anvil screws and flip the anvil over. Ensure blade stop is in place.

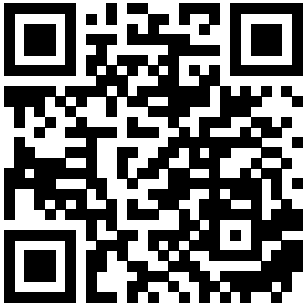


## MAINTENANCE

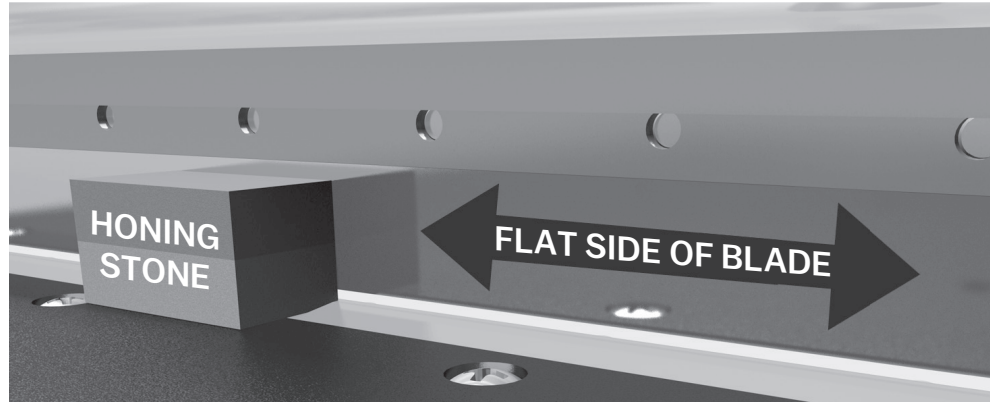
### HONING THE BLADE

Push the handle down until the blade  $\frac{1}{8}$ " (3mm) above the tabletop. Place the provided Hone Stone against the flat side of the blade. Slide the honing stone from one end of the blade to the other 3-4 times. This will remove any burrs from your blade.

When you first get your shear, you should hone after your 5th cut, then hone your blade every 10th cut for the first 100 cuts until your blade is broken in. From there, you only need to hone once per job. Use caution when honing the blade. The blade is sharp and can easily cause injury. Cut-resistant gloves are recommended when honing the blade.



For more information on honing your blade, scan the QR code or visit [www.marshalltown.com/honing-your-blade](http://www.marshalltown.com/honing-your-blade)



### SHARPENING THE BLADE

The blade can be sharpened to restore a one-sided,  $21^{\circ}$  –  $22^{\circ}$  knife edge. It is important to note that the blade must be sharpened only on the beveled side, leaving the flat side flat. We recommend that power grinding only be done professionally, as the blade must be fluid cooled during this process.



### TIGHTEN THE SCREWS

With regular use, several of the screws on this shear can sometimes become loose. Regularly check tightness on all screws, especially those connecting the handle. They should be turned in until they stop then torqued an extra  $\frac{1}{4}$  extra turn. Use 4mm or 5mm hex key, as appropriate.

# CHANGING THE BLADE

Required tools:  $\frac{5}{32}$ " or 4mm hex key "Allen" wrench

## 1. TURN THE SHEAR UPSIDE DOWN

Tip: put the shear on the edge of a sturdy table.

## 2. LOOSEN THE BLADE

Using a  $\frac{5}{32}$ " or 4mm hex key "Allen" wrench, remove the Button Head Socket Cap Screws screws.

## 3. REMOVE BLADE

Hold blade by each end and carefully lift out of pocket.

## 4. INSTALL BLADE

Hold blade by each end and carefully place into the blade pocket in the head, with the flat side of the blade facing the table. Be sure that it is firmly seated, and the pocket is clear of debris.

## 5. TIGHTEN THE BLADE

Using a  $\frac{5}{32}$ " or 4mm hex key "Allen" wrench, replace and tighten the screws, starting with the center screw.

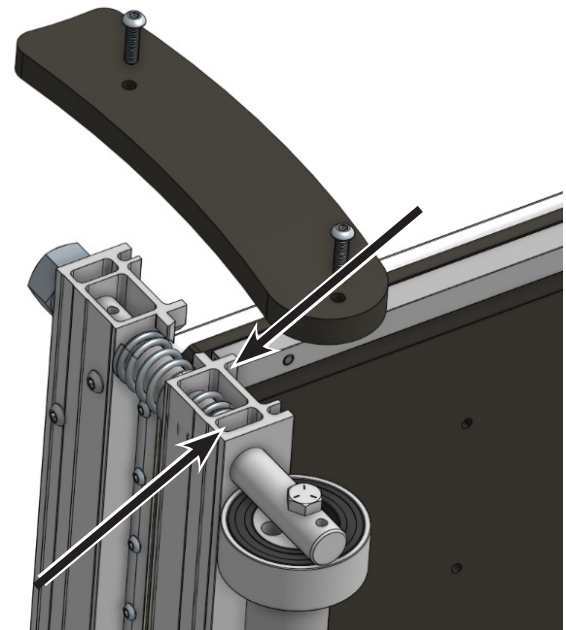
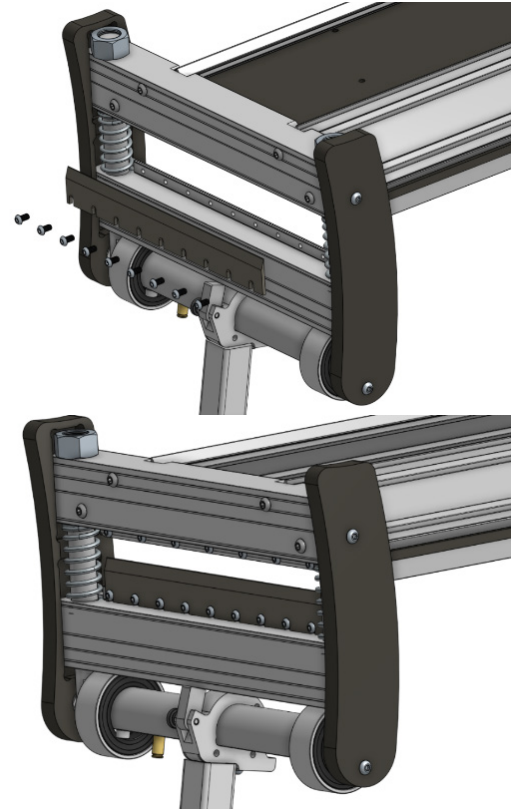
## LUBRICATING

Your Magnum Edge has been pre-lubricated with grease under the end caps. Re-Grease every 2 years of use, or if the shear starts squeaking.

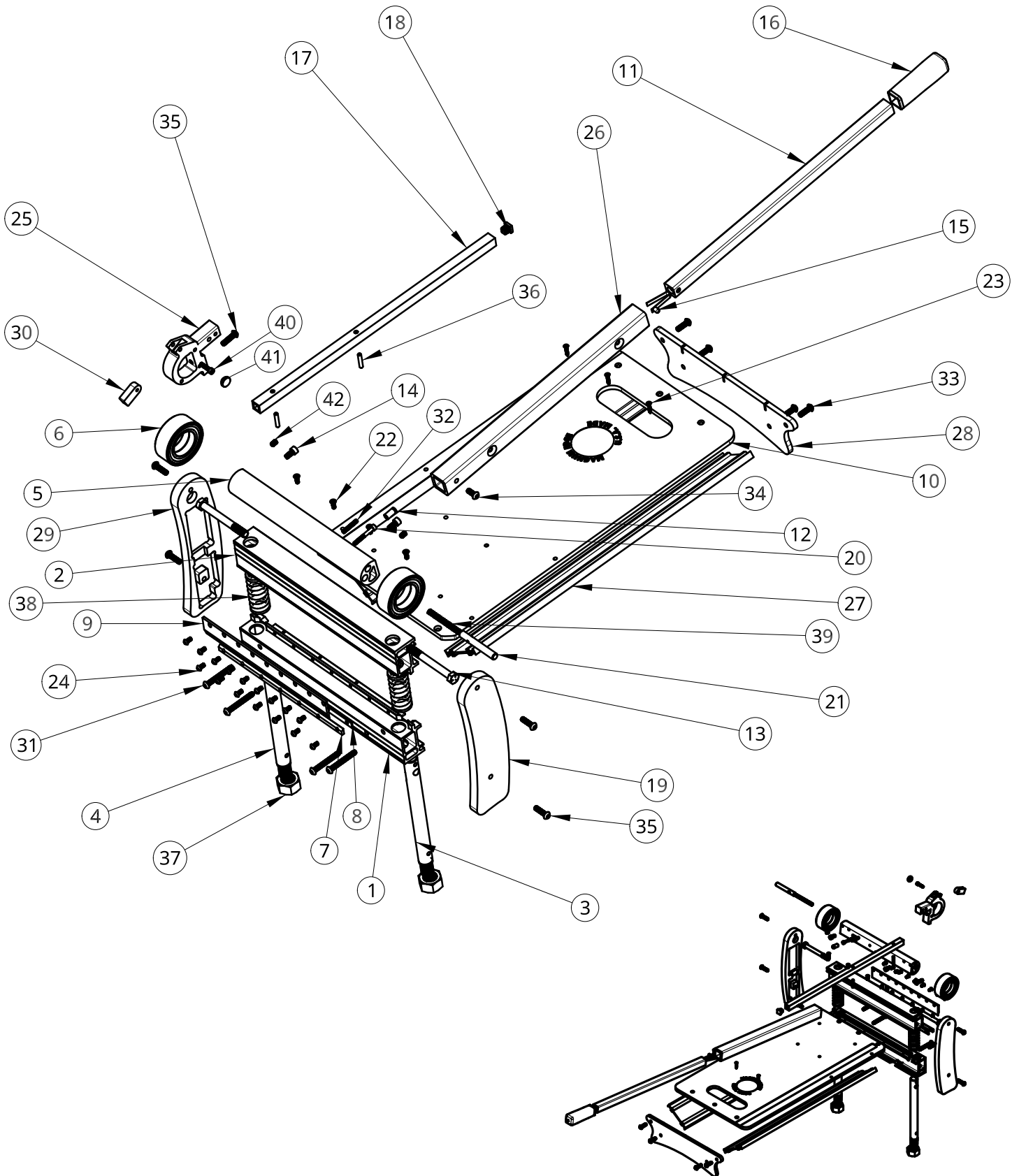
- Lock the handle down
- Lay your Magnum Edge on its side
- Remove the end cap by unscrewing the two button head screws with a 5mm hex key "Allen" wrench
- Fill the grease cavity with grease
- Re-attach the end cap
- Repeat procedure on the other side

## THE BLADE STOP

The blade stop may become worn. Remove anvil and turn blade stop over for more use. Replacements can be purchased at your dealer.



# PARTS BREAKDOWN





## PARTS BREAKDOWN

REF #	DESCRIPTION	EDI	PART#	QTY
1	MAGNUM 1913 BASE	R7089	CON-BSE-1913	1
2	MAGNUM 1913 HEAD	R7216	CON-HED-1913	1
3	MAGNUM 1900 SERIES PIN (LEFT)	R7240	CON-PIN-190L	1
4	MAGNUM 1900 SERIES PIN (RIGHT)	R7241	CON-PIN-190R	1
5	MAGNUM 1913 CAM	R7127	CON-CAM-1913	1
6	BEARING ASSEMBLY, POWERCAM (ST-865BB)	R7529	SUB-BNG-PCAM	2
7	ES00-EX13 ANVIL	R7023	CON-ANV-EX13	1
8	ES00-EX13 BLADE STOP	R7120	CON-BST-EX13	1
9	13" MAGNUM FLOORING BLADE	WX2599	RAW-BDE-913B	1
10	MAGNUM 1913 TABLE	R7333	CON-TBL-1913	1
11	MAGNUM SERIES UPPER HANDLE	R7207	CON-HAN-U900	1
12	.40 S&W SPENT CASING	WX2532	GEN-BUL-LET4	1
13	½ X 4.5 HEX HEAD GRADE 5 PLATED- 9XX AXLE PIN (125/BX) (H5CI 12.412)	WR1508	FAS-BLT-9037	2
14	M8 X 16 SHCS 12.9 (100/BOX) CAM (MET SC8.16H)	WR1611	FAS-SCW-9040	2
15	BUTTON SPRING, HAIRPIN, ⅙, (847-07)	WR1630	GEN-SPR-0847	1
16	HANDLE GRIP, (1 X 1 X 5 X ⅛")	WK232	GEN-HAN-0868	1
17	UNIVERSAL FENCE	R7184	CON-FNC-9000	1
18	END CAP, ⅝" SQ, LDPE BLK	WL795	GEN-CAP-850E	1
19	MAGNUM 1900 SERIES LEFT ENDCAP	R7173	CON-END-190L	1
20	M6 X 45MM SHCS (MET SC6.45H) CRUISER (100/BOX)	WR1506	FAS-BLT-9010	1
21	MAGNUM SERIES CAM LOCK PIN	R7154	CON-CML-D900	1
22	SCREW, FHP, M6 X 16, ZP	WR1604	FAS-SCW-8569	4
23	#10 X 1 FHPSMS	WR1556	FAS-SCW-0010	3
24	M6 X 12 BHSCS ZINC PLATED	WR1585	FAS-SCW-5612	16
25	MAGNUM 1900 SERIES HANDLE STUB	R7296	CON-STB-1900	1
26	MAGNUM 1900 SERIES LOWER HANDLE	R7191	CON-HAN-190L	1
27	MAGNUM 1900 SERIES RAIL	WC1138	CON-RAL-1900	2
28	MAGNUM 1913 TAIL	R7310	CON-TAL-1913	1
29	MAGNUM 1900 SERIES RIGHT ENDCAP	R7174	CON-END-190R	1
30	MAGNUM EDGE SERIES BACK STROKE STOP	R7107	CON-BSS-19BS	1
31	⅙-18 X 2½ TORX PH THREAD CUTTING SCREW	WR1597	FAS-SCW-7525	4
32	SET SCREW, M6 X 35MM, CUP PT (MET SS6.35)	WR1610	FAS-SCW-9035	1
33	⅙-18 X 1 TORX PH THREAD CUTTING SCREW	WR1596	FAS-SCW-7510	4
34	M8-1.25 X 20 BHSCS ZINC PLATED	WR1587	FAS-SCW-5821	1



## PARTS BREAKDOWN CONTINUED

REF #	DESCRIPTION	EDI	PART#	QTY
35	M8-1.25 X 30 BHSCS ZINC PLATED (MCMaster 92095A290)	WR1588	FAS-SCW-5830	5
36	DOWEL PIN, ¼" X 1¼" 100/BX, (S DP14.114)	WR1541	FAS-PIN-0881	2
37	1-14 NUT	WR1524	FAS-NUT-1014	2
38	SPRING, 1.046 ID X 3.5L	WR1631	GEN-SPR-0859	2
39	SPRING, ⅜ X 3½", CAM LOCK	WR1640	GEN-SPR-D000	1
40	M6 X 25 SHCS ZP (MC#90128A265)	WR1737	FAS-SCW-EZ04	1
41	M6 PUSH ON KNURLED KNOB FOR SHCS, BLK SHEARLOC# 83-98-931B, MCMaster 71175A064	WL814	GEN-KNB-931B	1
42	M8 X 12 SET SCREW -CUP POINT (100/BX) AXLE SCREW (MET SS8.12)	WR1612	FAS-SCW-9041	2

## REPLACEMENT PARTS

REF #	DESCRIPTION	EDI	PART #
9	13" MAGNUM FLOORING BLADE	29927	913B
15	REPLACEMENT HANDLE SPRING PIN, ⅝" 1 SIDED	29860	847-RP
7	ANVIL REPLACEMENT, 13" X ½" FOR MARKSMAN AND MAGNUM EDGE	29766	854-RP-1113
8	BLADESTOP REPLACEMENT, 13" X ½" FOR MARKSMAN AND MAGNUM EDGE 13"	29768	869-RP-1113
16	REPLACEMENT HANDLE GRIP, 1" SQ X 5"	29907	868-RP-MAG
17,18,36	REPLACEMENT FENCE, EDGE, 220-SID, I-SERIES MAGNUM	29871	856-RP-I
11,15,16	REPLACEMENT HANDLE UPPER ONLY (EDGE 13 & I-SERIES MAGNUM)	29883	858-RP-U900
6	REPLACEMENT BEARING SET, 2EA PC BALL BEARINGS W/ SLEEVES	29905	856UPG-RP
21	½" CAMLOCK PIN REPLACEMENT	29763	860-MAG-RP
24	M6 X 12 BHSCS ZINC PLATED	WR1585	FAS-SCW-5216

Replacement parts are available at [www.marshalltown.com](http://www.marshalltown.com) – search for the Replacement EDI as listed above.

## TROUBLESHOOTING

### **Before troubleshooting double-check the manual:**

- Is your shear properly assembled?
- Is it being operated correctly?
- Is it properly lubricated?
- Has the blade been honed as recommended?

### **Visually inspect shear, watching for objects that might obstruct the blade or powerhead travel:**

- Foreign material presence between the blade and anvil, in the pin springs or under the cam.
- Check your blade for chips, cracks or burrs.
- Make sure bearings are intact and lubricated. They should not be spinning/moving on the cam during use.

*NOTE: This troubleshooting is for all Bullet shears. If you are uncertain if it pertains to your shear, please contact Marshalltown customer service.*

<b>PROBLEM</b>	<b>CHECK FIRST</b>	<b>CHECK SECOND</b>	<b>CHECK THIRD</b>	<b>CHECK FOURTH</b>
Difficulty cutting	Ensure cam lock is OFF. If equipped, engage power lobes (Model 226)	Make sure handle is FULLY extended	Check blade sharpness/condition	Inspect and lubricate bearings/pins
Not cutting completely through material	Inspect pins for oblong/wallowed orifice	Adjust front stroke stop (MAGNUM shears)	Check bearings for wear/play	Ensure blade is proper nominal height
Blade sticking after completing cuts	Check/remove & replace blade stops if damaged	Ensure blade screws are tight	Remove anvil, turn it over, reinstall	Check for marks on anvil (overbite)
Rough or crushed cuts	Check veneer thickness (max= 1/16")	Check blade condition (chips, burrs, breaks)	Ensure blade is honed and sharp	Review approved materials list
Cuts aren't square	Loosen fence screws, align fence, tighten	Check pins for uneven wear	Inspect blade and anvil/blade-stop for contact	
Handle not returning to open position	Ensure pins are lubricated	Apply grease to contact area of bearing	Lubricate axle bolts	Check springs for breakage
Material won't fit into cut area	Check max thickness of material for your shear	Reverse back stroke stop	Ensure blade is proper nominal height	If you have two bearings, switch which bearing is engaged
Cam lock pin bent/stuck	Do not lift or carry shear by the handle	Return handle slowly to open position - do not "let it fly"	Disengage cam lock pin BEFORE cutting	
Blade chipping	Hone as directed in manual (~25 cuts, then daily)	Do not cut stranded bamboo	Do not cut high pressure laminate	Check veneer thickness (max=1/16")
Pin openings wallowed out / oblong where cam axle passes through	Do not lift or carry shear by the handle	Return handle slowly to open position - do not "let it fly"	Check veneer thickness (max= 1/16")	Review approved materials list
Not cutting to edge of material	Check fence alignment - adjust if needed	Do not "angle" material beyond the blade edge	Ensure angle fence(s) are installed with WIDE edge inward (620 model)	

# **BULLET**

*B Y M A R S H A L L T O W N*®

104 S. 8th Ave., Marshalltown, IA  
Phone 800-888-0127 / 641-753-0127  
Fax 800-477-6341 / 641-753-6341  
[www.MARSHALLTOWN.com](http://www.MARSHALLTOWN.com)  
WS2637revA

# **BULLET**

BY MARSHALLTOWN®

## **CORTADORA DE PISO DE 13" MAGNUM EDGE**

N.º de pieza MS90-1913 | N.º EDI 29987



104 S. 8th Ave. | Marshalltown, IA  
Teléfono 800-888-0127 / 641-753-0127 | Fax 800-477-6341 / 641-753-6341  
[www.MARSHALLTOWN.com](http://www.MARSHALLTOWN.com)  
WS2637revA

# INTRODUCCIÓN

Gracias por su compra de la cortadora de piso de 13" Magnum Edge de Bullet por Marshalltown. Esta cortadora de vanguardia es una cortadora de piso de trabajo pesado y versátil hecha en Estados Unidos con los materiales de la más alta calidad. Hemos diseñado esta herramienta teniendo en mente a los instaladores de pisos profesionales.

Su nueva cortadora de piso de 13" Magnum Edge incluye las siguientes características:

- Acción sencilla y silenciosa de un solo corte
- Capacidad de cortar en interiores sin dejar polvo, causar ruido y sin cables eléctricos
- Regla integrada y guía móvil para cortes de 45 y 90 grados
- Tira de luces LED para cortes precisos
- Una construcción de aluminio de grado aeroespacial liviano y fuerte
- Hoja reemplazable
- Cojinetes de bolas de acero para un rendimiento de corte inigualable

Además, puede cortar materiales de hasta 1" (25 mm) de espesor y 13" (330 mm) de ancho, incluidos:

- Piso de madera dura sólida (hasta 1250 Janka)
- Piso de madera contrachapada (hasta 1400 Janka)
- Piso laminado
- LVP/WPC/SPC/MLF
- Núcleo rígido
- Zoclo coextruido de caucho
- Plástico suave
- PVC y losetas de caucho

Este manual del propietario proporciona la información necesaria para la operación y el mantenimiento de la cortadora de piso de 13" Magnum Edge. Lea detenidamente y siga todas las instrucciones de operación y seguridad que se encuentran en este manual. Asegúrese de que todos los operadores de esta cortadora de pisos lean este manual antes de utilizar la unidad. El reemplazo de cualquier pieza de esta cortadora de pisos con un componente que no sea una pieza de repuesto autorizada por el fabricante puede afectar negativamente el desempeño, durabilidad o seguridad del producto.

**Asegúrese de seguir las precauciones de seguridad. Lea y siga todas las instrucciones de operación y seguridad que se encuentran en este manual del operador.** El fabricante se reserva el derecho de hacer cambios o añadir mejoras a su producto en cualquier momento y sin previo aviso u obligación. El fabricante se reserva el derecho a decidir, a su entera discreción y en cualquier momento, discontinuar este producto o las piezas de repuesto del mismo.

Este manual explica el uso de la cortadora de piso de 13" Magnum Edge. Para preguntas técnicas o piezas de repuesto, llame a servicio al cliente de MARSHALLTOWN al 1-800-888-0127 o visite [www.MARSHALLTOWN.com](http://www.MARSHALLTOWN.com).



# CONTENIDO

Introducción.....	2
Precauciones de seguridad .....	3
Calcomanías de seguridad.....	4
Garantía .....	4
Operación del producto.....	5
Mantenimiento .....	7
Descripción de las piezas .....	9
Resolución de problemas.....	12



## PRECAUCIONES DE SEGURIDAD



• Los letreros de seguridad PELIGRO o  ADVERTENCIA se encuentran ubicados cerca de riesgos específicos.



• Las medidas de seguridad generales se enumeran en los letreros de seguridad de PRECAUCIÓN.

- Esta nota aparece antes de las advertencias en el texto. Esto significa que el paso que sigue debe llevarse a cabo para evitar la posibilidad de una lesión personal o la muerte. Estas advertencias pretenden ayudar al técnico a evitar cualquier riesgo potencial que se encuentre en los procedimientos de servicio normales. Recomendamos enfáticamente que el lector aproveche la información proporcionada para prevenir lesiones personales o lesiones a otros.

LAS SIGUIENTES PRECAUCIONES SE SUGIEREN PARA AYUDAR A PREVENIR ACCIDENTES. UN OPERADOR CUIDADOSO ES EL MEJOR OPERADOR. LA MAYORÍA DE LOS ACCIDENTES PUEDEN EVITARSE SIGUIENDO CIERTAS PRECAUCIONES. LEA Y TOME LAS SIGUIENTES PRECAUCIONES ANTES DE OPERAR ESTE EQUIPO A FIN DE AYUDAR A PREVENIR ACCIDENTES. EL EQUIPO DEBE SER OPERADO SOLO POR LAS PERSONAS QUE SON RESPONSABLES E INSTRUIDAS PARA HACERLO.

 **ADVERTENCIA DE LA PROPUESTA 65 DE CALIFORNIA:** Este producto puede exponerlo a químicos que en el estado de California se conocen como causantes de cáncer, defectos de nacimiento u otros daños reproductivos.

- Lea todas las instrucciones de operación y mantenimiento antes de operar o dar servicio a la cortadora de pisos.
- Una cortadora de pisos es segura siempre que el operador la utilice con seguridad. Preste completa atención a la operación de la cortadora de pisos.
- Sepa cómo detener la cortadora de pisos al instante.



**NUNCA** opere la cortadora de pisos si cualquiera de los componentes de corte se ha extraído.

- Mantenga a las personas sin experiencia y no autorizadas lejos de la cortadora de pisos en todo momento.
- Mantenga la cortadora de pisos en buenas condiciones operativas. Las piezas sueltas o dañadas son peligrosas.
- Evite usar ropa holgada que pudiera ser atrapada por las piezas móviles.



Mantenga las manos y los pies lejos de las piezas móviles.

- Mantenga todas las etiquetas de advertencia, precaución e instrucciones de seguridad en buenas condiciones. Reemplace las etiquetas faltantes, dañadas o ilegibles.
- Despeje el área de trabajo alrededor de la cortadora a fin de evitar tropiezos o caídas sobre la cortadora.
- Opere sobre un suelo nivelado para evitar que la cortadora de piso se voltee.
- NO OPERE esta cortadora de pisos bajo la influencia de alcohol o mientras toma medicamentos que deterioran sus reacciones.
- Use únicamente piezas autorizadas de fábrica para repuestos.
- Use lentes de seguridad cuando opere la cortadora de pisos.
- Siempre tenga cuidado al reemplazar la hoja cortadora.
- Solo opere la cortadora con los materiales aprobados. Si se requiere una fuerza extrema para cortar un material, puede resultar en lesiones personales y/o daño a la cortadora de pisos.
- Use ropa de protección apropiada mientras opera la cortadora de pisos, incluidas la protección de ojos, oídos y ropa.
- Maneje todos los solventes y agentes de limpieza con cuidado y siga las instrucciones del fabricante sobre la seguridad y la disposición.

## CALCOMANÍAS DE SEGURIDAD

Si las calcomanías de seguridad están dañadas, puede reemplazarlas comunicándose con servicio al cliente.

Etiqueta de advertencia de la hoja



R6166

Etiqueta de advertencia del mango



R7566

### GARANTÍA

Este producto está garantizado solo al comprador original frente a defectos en material y mano de obra bajo un uso normal por 5 años a partir de la fecha de compra. MARSHALLTOWN reparará o reemplazará, sin cargo alguno por piezas y mano de obra, dichas piezas que se determinen como defectuosas. Todos los cargos de transportación de las piezas de repuesto deberán ser pagados por el comprador.

Para obtener el servicio de garantía, el producto debe ser enviado, con prueba de la fecha de compra, a MARSHALLTOWN. Comuníquese con el servicio al cliente de MARSHALLTOWN para determinar el mejor método para enviar el producto que está bajo la garantía. El envío del producto debe realizarse a más tardar 30 días después del vencimiento del periodo de garantía.

Todas las garantías implícitas, incluyendo aquellas de comerciabilidad e idoneidad para una finalidad en especial, están limitadas a un año a partir de la fecha de compra por parte del cliente minorista original y en la medida que lo permita la ley, además se excluyen y se renuncia a todas las garantías implícitas después del vencimiento de dicho periodo.

Algunos estados no permiten limitaciones sobre la duración del periodo de una garantía implícita, o la exclusión o limitaciones de daños indirectos o consecuentes, por lo que las limitaciones o exclusiones mencionadas pueden no aplicar a su caso. Esta garantía le otorga derechos legales específicos y es posible que usted tenga otros derechos que varían de estado a estado.

Exclusión de esta garantía:

1. Todos los daños consecuentes, incluyendo la recolección y entrega de la unidad, comunicación, cargos por kilometraje y/o renta de una unidad de reemplazo durante reparaciones no están cubiertos por esta garantía ni tampoco cualquier pérdida de ingresos y/u otras pérdidas que resulten por la falla de funcionamiento del producto debido a un defecto cubierto por la garantía.
2. Esta garantía no aplicará cuando el producto se vuelva inoperativo debido al mal uso, desgaste normal, negligencia, mantenimiento inadecuado, accidente o daño en el transporte; no ha sido operado y mantenido de conformidad con las instrucciones proporcionadas en el manual del operador o ha sido alterado o modificado sin la aprobación del Departamento de Servicio de la fábrica.
3. Ninguna pieza o producto debe regresarse a la fábrica sin la aprobación previa por escrito de la fábrica.

## OPERACIÓN DEL PRODUCTO

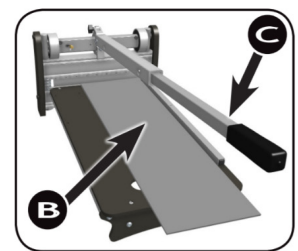
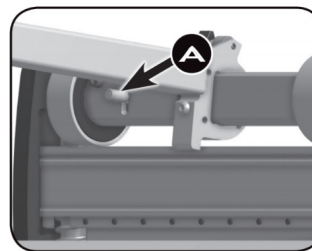
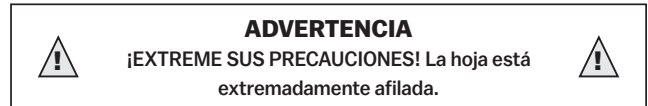
*Nota: Cada 1" (25 mm) de ancho requiere aproximadamente 40 lb (18 kg) en el mango. (Por ej., un tablón de 4" de ancho requiere 160 lb (72 kg) para cortarlo, un tablón de 5" (125 mm) de ancho requiere 200 lb (90 kg) para cortarlo).*

### HACER LOS CORTES

La cortadora de piso Magnum Edge se opera manualmente. El operador agarra el mango extensible de dos partes y lo empuja hacia abajo para efectuar el corte.

#### CORTES

1. Para desbloquear, presione suavemente el mango hacia abajo, deslice el inmovilizador de leva Bullet (A) hacia adentro y abajo.
2. Coloque el material (B) sobre la mesa y deslícelo por debajo de la hoja hasta la posición del corte que desea.
3. Empuje el mango (C) hacia abajo hasta cortar el material por completo.



#### AJUSTES

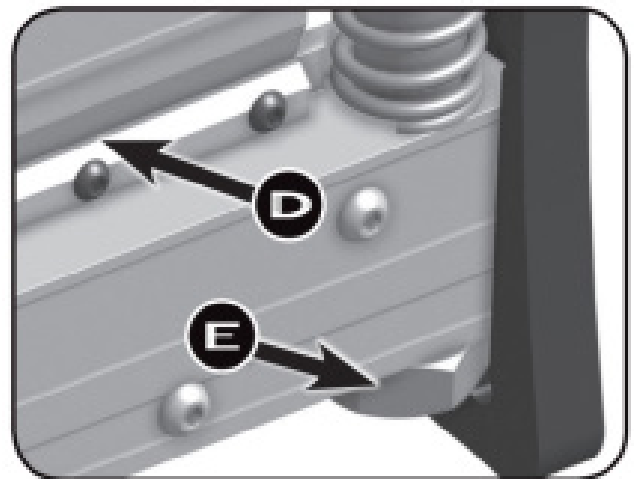
La hoja debe colocarse de modo que corte hasta el tope de plástico de la hoja (D) cuando el mango se presiona hacia abajo.

Para ajustar la profundidad de la hoja, gire las dos tuercas grandes (E) en el lado inferior de la base con una llave de 1½" (38 mm).

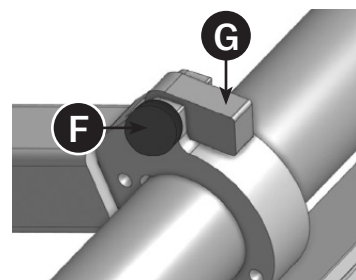
Asegúrese de que las dos se giren la misma cantidad de vueltas.

Ajústelas en incrementos de ¼ de vuelta y verifique la profundidad de la hoja.

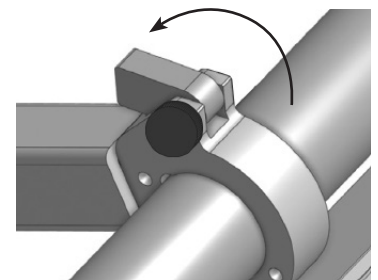
Para abrir la hoja a fin de cortar un material de 1", afloje la perilla de antirretroceso (F) y gire el antirretroceso (G) hacia arriba.



*Tenga en cuenta que los materiales aprobados pueden variar en densidad y dureza. Si se requiere una presión extrema para cortar un producto, puede provocar daños a la máquina. Comuníquese con MARSHALLTOWN antes de continuar. La garantía se anula si un producto no aprobado daña la máquina.*



ANTIRRETROCESO ABAJO



ANTIRRETROCESO ARRIBA

## PASADOR DE SEGURIDAD

Para mayor seguridad, el pasador de seguridad se restablecerá automáticamente a la posición "bloqueada" a menos que se desacople. El pasador de seguridad puede desacoplarse deslizando la perilla hacia abajo y enganchándolo en la ranura. (Se muestra a la derecha)

## TRANSPORTE

Es importante volver a enganchar el pasador y sujetar el mango sin extender en la posición hacia abajo cuando la cortadora de madera dura Magnum Edge se almacene, cargue o transporte.

## CONSEJO: CORTE DOBLE

Se puede atravesar muy bien la mayoría de los materiales con un solo corte. Sin embargo, algunas marcas pueden requerir un corte doble para producir un corte mejor.

Simplemente haga su primer corte de  $\frac{1}{8}$ " a  $\frac{1}{4}$ " (de 3 a 6 mm) más largo que la marca, después regrese y haga un segundo corte sobre la marca. Esto es muy útil para crear un corte más limpio cuando no se puede usar una moldura o transición para cubrir el extremo del corte.



INMOVILIZADOR DE LEVA EN POSICIÓN BLOQUEADA



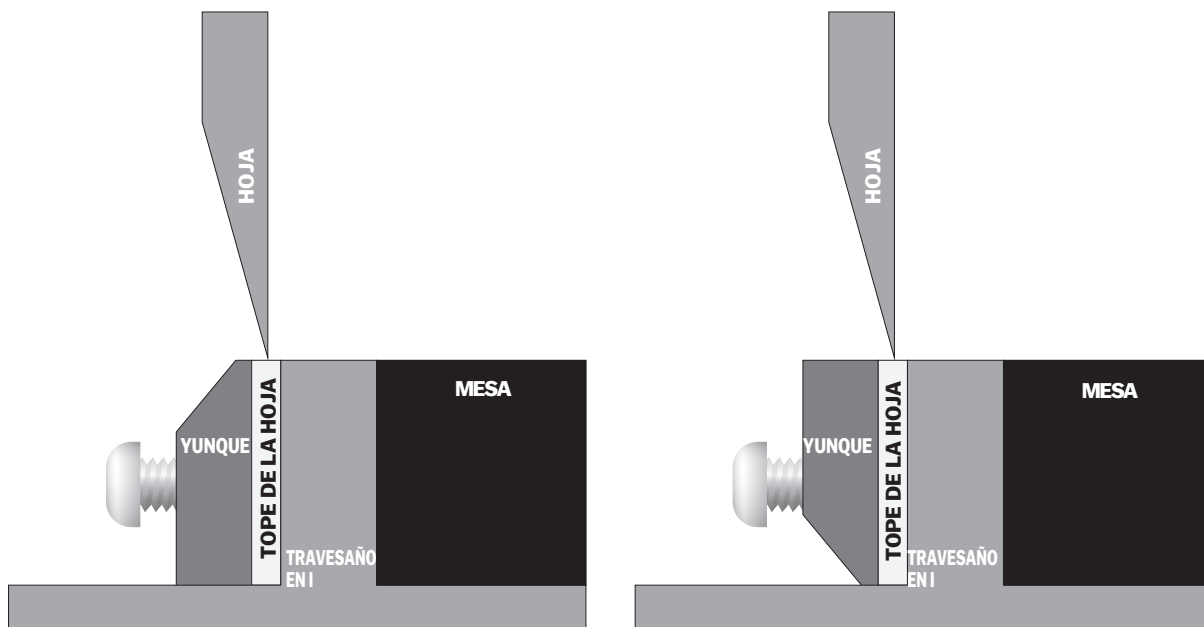
INMOVILIZADOR DE LEVA EN POSICIÓN DESBLOQUEADA

## EL YUNQUE

El yunque tiene dos bordes: un borde angosto de  $\frac{1}{32}$ " (0.75 mm) y un borde ancho de  $\frac{3}{16}$ " (4.5 mm) de ancho. Cualquiera de los bordes puede usarse según el soporte que necesita para hacer un corte limpio (algunos productos con un reverso suave requieren que se use el borde más ancho del yunque).

## PARA CAMBIAR ENTRE BORDES DEL YUNQUE

Simplemente quite los tornillos del yunque y voltee el yunque bocabajo. Asegúrese de que el tope de la hoja esté instalado.



## MANTENIMIENTO

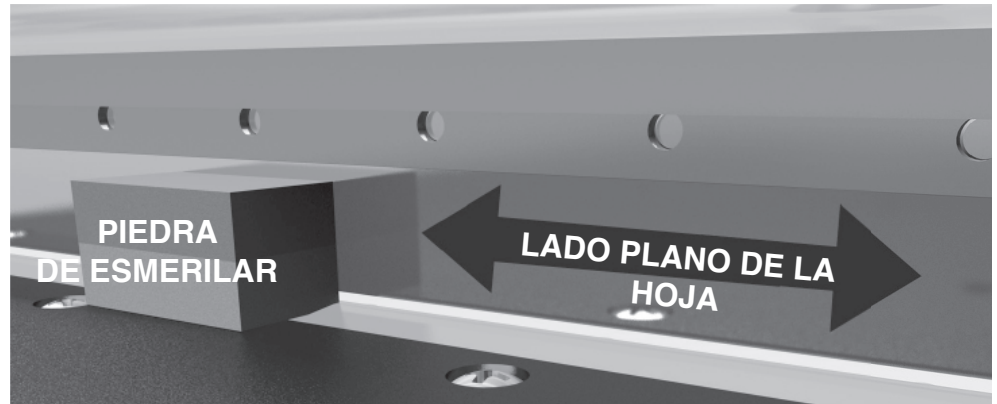
### CÓMO AFILAR LA HOJA

Empuje el mango hacia abajo hasta que la hoja esté  $\frac{1}{8}$ " (3 mm) por encima de la parte superior de la mesa. Coloque la piedra de esmerilar contra el lado plano de la hoja. Deslice la piedra de esmerilar desde un extremo de la hoja al otro 3 a 4 veces. Esto retirará cualquier rebaba de la hoja.

Cuando reciba su cortadora por primera vez, debería afilarla después de su quinto corte, después afile la hoja cada décimo corte durante los primeros 100 cortes hasta que la hoja se haya asentado. A partir de ahí, solo tendrá que afilarla una vez por trabajo. Tenga cuidado al afilar la hoja. La hoja está afilada y puede causar lesiones fácilmente. Se recomienda usar guantes resistentes a cortes cuando afile la hoja.



Para obtener más información sobre cómo afilar la hoja, escanee el código QR o visite [www.marshalltown.com/honing-your-blade](http://www.marshalltown.com/honing-your-blade)



### AFILADO DE LA HOJA

La hoja puede afilarse para restaurar un filo unilateral de 21° o 22°. Es importante tener en cuenta que la hoja debe estar afilada solo por el lado biselado, conservando la parte plana de esa manera. Se recomienda que el afilado a presión solo se haga profesionalmente, ya que la hoja debe ser enfriada con fluido durante este proceso.



### APRIETE LOS TORNILLOS

Con el uso habitual, varios de los tornillos en esta cortadora algunas veces pueden aflojarse. Verifique con regularidad el ajuste de todos los tornillos, especialmente aquellos que sujetan el mango. Estos deben girarse hasta el tope y luego apretarse un  $\frac{1}{4}$  de vuelta adicional. Use una llave hexagonal de 4 mm o 5 mm, según se requiera.

# CAMBIO DE LA HOJA

Herramientas necesarias: Llave "Allen" hexagonal de  $\frac{5}{32}$ " o 4 mm

## 1. DÉ LA VUELTA A LA CORTADORA DE FORMA QUE QUEDE BOCABAJO

Consejo: coloque la cortadora al borde de una mesa firme.

## 2. AFLOJE LA HOJA

Con una llave "Allen" hexagonal de  $\frac{5}{32}$ " o 4 mm, quite los tornillos de sombrerete de cabeza hueca.

## 3. EXTRAIGA LA HOJA

Sostenga la hoja por cada extremo y levántela con cuidado hasta sacarla de la cavidad.

## 4. INSTALE LA HOJA

Sostenga la hoja por cada extremo y colóquela con cuidado dentro de la cavidad para la hoja en la parte delantera, manteniendo el lado plano de la hoja orientado hacia la mesa. Asegúrese de que esté firmemente asentada y la cavidad esté libre de residuos.

## 5. APRIETE LA HOJA

Con una llave "Allen" hexagonal de  $\frac{5}{32}$ " o 4 mm, vuelva a colocar y apriete los tornillos comenzando con el tornillo del centro.

## LUBRICACIÓN

La cortadora Magnum Edge se ha lubricado previamente con grasa debajo de los tapones. Vuelva a engrasarlos cada 2 años de uso o si la cortadora empieza a rechinar.

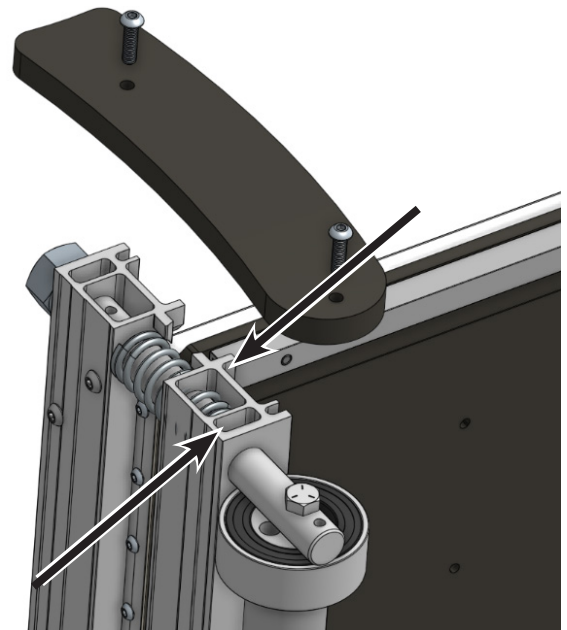
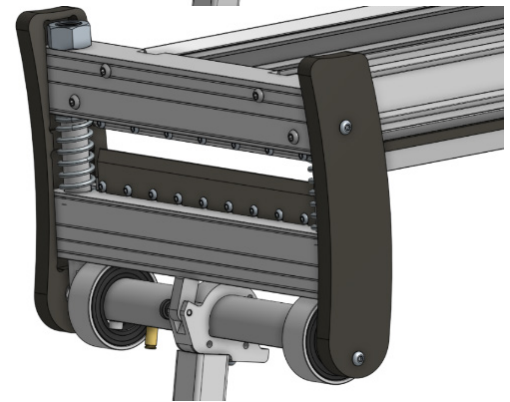
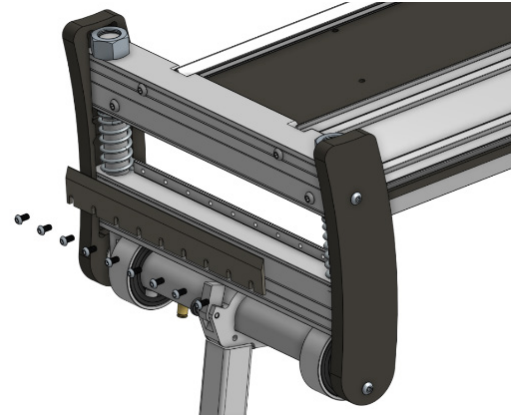
- Bloquee el mango hacia abajo
- Coloque la cortadora Magnum Edge sobre un costado
- Quite el tapón desatornillando los dos tornillos de cabeza hueca con una llave "Allen" hexagonal de 5 mm
- Rellene la cavidad de grasa con grasa
- Vuelva a colocar el tapón
- Repita el procedimiento en el otro lado

## EL TOPE DE LA HOJA

El tope de la hoja puede desgastarse. Retire el yunque y voltée el tope de la hoja para usar el otro lado. Puede comprar reemplazos de esta pieza con su distribuidor.

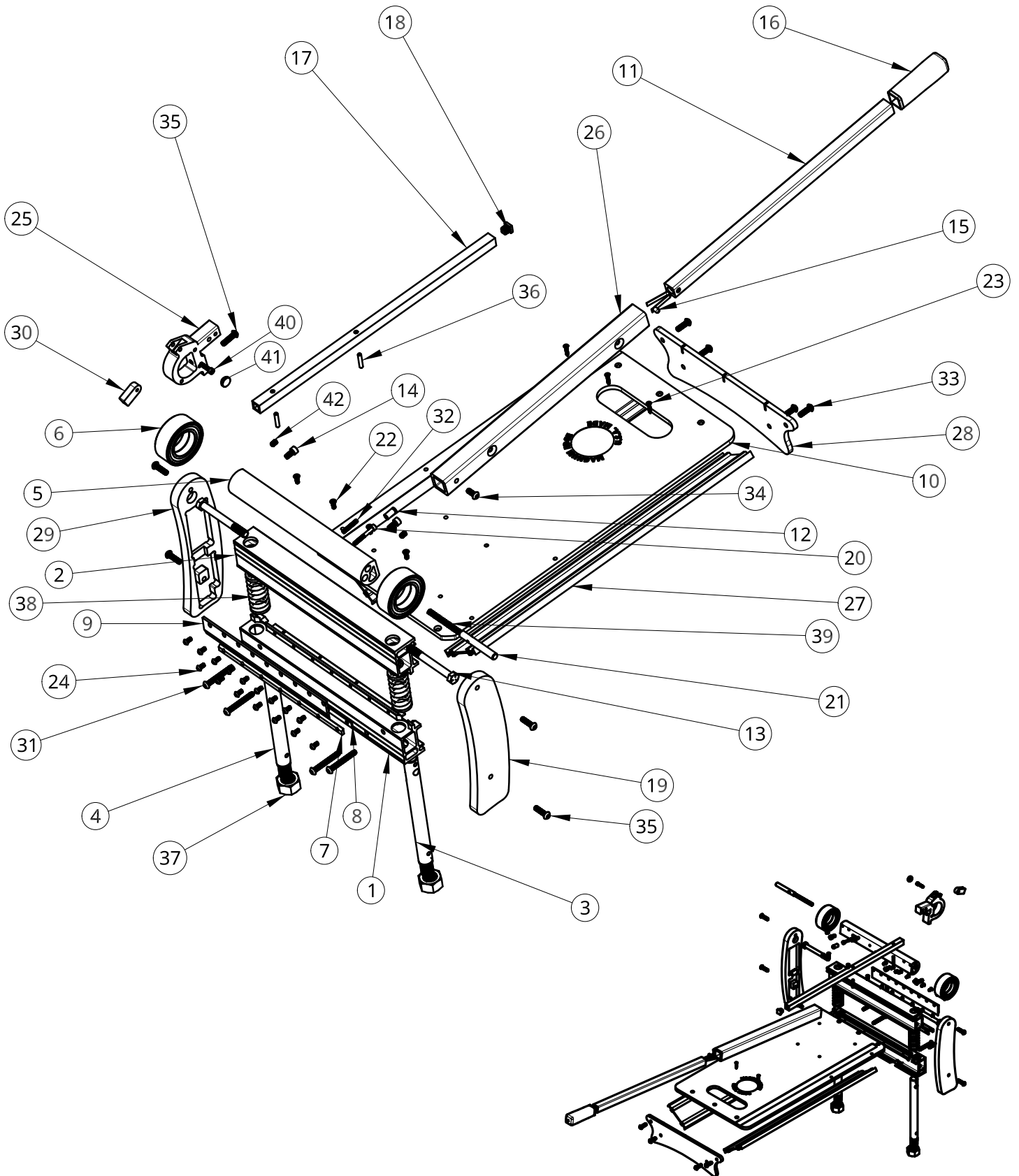


**ADVERTENCIA**  
¡EXTREME SUS PRECAUCIONES! La hoja está extremadamente afilada.





# DESCRIPCIÓN DE LAS PIEZAS



## DESCRIPCIÓN DE LAS PIEZAS

N.º de REF	DESCRIPCIÓN	EDI	N.º DE PIEZA	CANT.
1	BASE DE LA CORTADORA MAGNUM 1913	R7089	CON-BSE-1913	1
2	CABEZAL DE LA CORTADORA MAGNUM 1913	R7216	CON-HED-1913	1
3	PASADOR DE LA MAGNUM SERIE 1900 (IZQUIERDA)	R7240	CON-PIN-190L	1
4	PASADOR DE LA MAGNUM SERIE 1900 (DERECHA)	R7241	CON-PIN-190R	1
5	LEVA DE LA CORTADORA MAGNUM 1913	R7127	CON-CAM-1913	1
6	CONJUNTO DE COJINETES, POWERCAM (ST-865BB)	R7529	SUB-BNG-PCAM	2
7	YUNQUE ES00-EX13	R7023	CON-ANV-EX13	1
8	TOPE DE HOJA ES00-EX13	R7120	CON-BST-EX13	1
9	HOJA PARA PISOS DE 13" MAGNUM	WX2599	RAW-BDE-913B	1
10	MESA DE LA CORTADORA MAGNUM 1913	R7333	CON-TBL-1913	1
11	MANGO SUPERIOR DE LA SERIE MAGNUM	R7207	CON-HAN-U900	1
12	ESTUCHE USADO S&W 0.40	WX2532	GEN-BUL-LET4	1
13	PERNO DE EJE ENCHAPADO GRADO 5 DE CABEZA HEXAGONAL DE ½ X 4.5 9XX (125/CAJA) (H5CI 12.412)	WR1508	FAS-BLT-9037	2
14	TORNILLOS DE CABEZA HUECA M8 X 16 (100/CAJA) LEVA (MET SC8.16H)	WR1611	FAS-SCW-9040	2
15	BOTÓN CON RESORTE, HORQUILLA, ⅝, (847-07)	WR1630	GEN-SPR-0847	1
16	AGARRADERA PARA MANGO, (1 X 1 X 5 X ⅛")	WK232	GEN-HAN-0868	1
17	GUÍA UNIVERSAL	R7184	CON-FNC-9000	1
18	TAPÓN, ⅝" SQ, LDPE BLK	WL795	GEN-CAP-850E	1
19	TAPÓN IZQUIERDO MAGNUM SERIE 1900	R7173	CON-END-190L	1
20	TORNILLO DE CABEZA HUECA M6 X 45 MM (MET SC6.45H) CORTADORA CRUISER (100/CAJA)	WR1506	FAS-BLT-9010	1
21	PASADOR DEL INMOVILIZADOR DE LEVA SERIE MAGNUM	R7154	CON-CML-D900	1
22	TORNILLO, CABEZA PLANA, M6 X 16, ZINC GALVANIZADO	WR1604	FAS-SCW-8569	4
23	TORNILLOS PHILLIPS DE CABEZA PLANA PARA CHAPA DE METAL #10 X 1	WR1556	FAS-SCW-0010	3
24	TORNILLOS DE CABEZA REDONDA DE HEXÁGONO INTERIOR DE ZINC GALVANIZADO M6 X 12	WR1585	FAS-SCW-5612	16
25	VÁSTAGO DEL MANGO MAGNUM SERIE 1900	R7296	CON-STB-1900	1
26	MANGO INFERIOR DE LA CORTADORA MAGNUM SERIE 1900	R7191	CON-HAN-190L	1
27	RIEL DE LA CORTADORA MAGNUM SERIE 1900	WC1138	CON-RAL-1900	2
28	COLA DE LA MAGNUM 1913	R7310	CON-TAL-1913	1
29	TAPÓN DERECHO DE LA MAGNUM SERIE 1900	R7174	CON-END-190R	1
30	TOPE DEL RECORRIDO POSTERIOR DE LA SERIE MAGNUM EDGE	R7107	CON-BSS-19BS	1
31	TORNILLO DE CORTE DE ROSCA PH TORX DE ⅝-18 X 2½	WR1597	FAS-SCW-7525	4
32	TORNILLO DE FIJACIÓN, M6 X 35 MM, PUNTA PLANA (MET SS6.35)	WR1610	FAS-SCW-9035	1
33	TORNILLO DE CORTE DE ROSCA PH TORX DE ⅝-18 X 1	WR1596	FAS-SCW-7510	4
34	TORNILLOS DE CABEZA REDONDA DE HEXÁGONO INTERIOR DE ZINC GALVANIZADO M8-1.25 X 20	WR1587	FAS-SCW-5821	1

## CONTINUACIÓN DE LA DESCRIPCIÓN DE LAS PIEZAS

N.º de REF	DESCRIPCIÓN	EDI	N.º DE PIEZA	CANT.
35	TORNILLOS DE CABEZA REDONDA DE HEXÁGONO INTERIOR DE ZINC GALVANIZADO M8-1.25 X 30 (MCMaster 92095A290)	WR1588	FAS-SCW-5830	5
36	PASADOR DE ESPIGA, ¼" X 1¼" 100/CAJA, (S DP14.114)	WR1541	FAS-PIN-0881	2
37	TUERCA 1-14	WR1524	FAS-NUT-1014	2
38	RESORTE, 1.046 DIÁ INT X 3.5 LARGO	WR1631	GEN-SPR-0859	2
39	RESORTE, ⅜ X 3½", INMOVILIZADOR DE LEVA	WR1640	GEN-SPR-D000	1
40	TORNILLO DE CABEZA HUECA DE ZINC GALVANIZADO M6 X 25 (MC#90128A265)	WR1737	FAS-SCW-EZ04	1
41	PERILLA ESTRIADA DE PRESIÓN M6 PARA TORNILLO DE CABEZA HUECA, NEGRA SHEARLOC# 83-98-931B, MCMaster 71175A064	WL814	GEN-KNB-931B	1
42	TORNILLO DE FIJACIÓN M8 X 12, PUNTA PLANA (100/CAJA) TORNILLO DE EJE (MET SS8.12)	WR1612	FAS-SCW-9041	2

## PIEZAS DE REPUESTO

EDI DE REPUESTO	N.º DE PIEZA DE REPUESTO	DESCRIPCIÓN	INCLUYE NÚMEROS DE LOS DETALLES
29927	913B	HOJA PARA PISOS DE 13" MAGNUM	9
29860	847-RP	PASADOR DE RESORTE PARA MANGO DE REPUESTO, ⅝" DE 1 LADO	15
29766	854-RP-1113	REPUESTO DE YUNQUE, 13" X ½" PARA CORTADORAS MARKSMAN Y MAGNUM EDGE	7
29768	869-RP-1113	REPUESTO DE TOPE DE LA HOJA, 13" X ½" PARA CORTADORAS MARKSMAN Y MAGNUM EDGE DE 13"	8
29907	868-RP-MAG	AGARRADERA PARA MANGO DE REPUESTO, 1" CUADRADA X 5"	16
29871	856-RP-I	GUÍA DE REPUESTO, EDGE, 220-SID, MAGNUM SERIE I	17,18,36
29883	858-RP-U900	MANGO DE REPUESTO, SOLO SUPERIOR (EDGE 13 & MAGNUM SERIE I)	11,15,16
29905	856UPG-RP	CONJUNTO DE COJINETES DE REPUESTO, 2 C/U COJINETES DE BOLAS PC C/CAMISAS	6
29763	860-MAG-RP	REPUESTO DE PASADOR DEL INMOVILIZADOR DE LEVA DE ½"	21
WR1585	FAS-SCW-5216	TORNILLOS DE CABEZA REDONDA DE HEXÁGONO INTERIOR DE ZINC GALVANIZADO M6-1.0 X 12	24

Las piezas de repuesto están disponibles en [www.marshalltown.com](http://www.marshalltown.com), busque el EDI de repuesto como se enumera arriba.

## RESOLUCIÓN DE PROBLEMAS

### **Repase el manual antes de continuar con la resolución de problemas:**

- ¿Su cortadora ha sido ensamblada apropiadamente?
- ¿Está siendo operada correctamente?
- ¿Se encuentra lubricada apropiadamente?
- ¿La hoja ha sido afilada según las recomendaciones?

### **Inspeccione visualmente la cortadora en busca de objetos que pudieran obstruir el movimiento de la hoja o la unidad de potencia:**

- Presencia de materiales foráneos entre la hoja y el yunque, en los pasadores de resorte o debajo de la leva.
- Revise que la hoja no tenga astillas, fisuras o rebabas.
- Asegúrese de que los cojinetes estén intactos y lubricados. No deben girar/moverse en la leva durante el uso.

*NOTA: Esta es la resolución de problemas para todas las cortadoras Bullet. Si no está seguro de que corresponda con su cortadora, comuníquese con el servicio al cliente de Marshalltown.*

<b>PROBLEMA</b>	<b>REVISE EN PRIMER LUGAR</b>	<b>REVISE EN SEGUNDO LUGAR</b>	<b>REVISE EN TERCER LUGAR</b>	<b>REVISE EN CUARTO LUGAR</b>
Dificultad al cortar	Asegúrese de que el inmovilizador de leva esté DESACTIVADO. Si está equipado, active los lóbulos de potencia (Modelo 226)	Asegúrese de que el mango se encuentre TOTALMENTE extendido	Verifique el filo/la condición de la hoja	Inspeccione y lubrique los cojinetes/pasadores
No corta por completo a través del material	Inspeccione los pasadores en busca de orificios oblongos/desplazados	Ajuste el tope del recorrido frontal (cortadoras MAGNUM)	Verifique que los cojinetes no estén desgastados o sueltos	Asegúrese de que la hoja esté a la altura nominal apropiada
La hoja se atora luego de terminar los cortes	Verifique los topes de hoja, retire y reemplace en caso de estar dañados	Asegúrese de que los tornillos de la hoja estén apretados	Retire el yunque, dele vuelta y reinstale	Verifique si hay marcas en el yunque (desgaste por solapamiento)
Cortes irregulares o destrozados	Verifique el grosor de la chapa de madera (máx = 1/16")	Verifique la condición de la hoja (astillas, rebabas, fracturas)	Asegúrese de que la hoja esté afilada	Revise la lista de los materiales aprobados
Los cortes no son exactos	Afloje los tornillos de la guía, alinee la guía y apriete	Verifique los pasadores en busca de desgaste irregular	Inspeccione la hoja y el yunque o el tope de la hoja en busca de contacto	
El mango no vuelve a la posición abierta	Asegúrese de que los pasadores estén lubricados	Aplice grasa en el área de contacto del cojinete	Lubrique los pernos del eje	Verifique que los resortes no estén rotos
El material no cabe en el área de corte	Verifique el grosor máximo del material para su cortadora	Revierta el tope del recorrido posterior	Asegúrese de que la hoja esté a la altura nominal apropiada	Si tiene dos cojinetes, cambie el cojinete que esté embragado
El pasador de inmovilización de leva está doblado o atascado	No levante o cargue la cortadora por el mango	Devuelva lentamente el mango a la posición abierta - no deje que "caiga libremente"	Desenganche el pasador de inmovilización de leva ANTES de cortar	
Melladuras de la hoja	Afile según se indica en el manual (aproximadamente 25 cortes, después a diario)	No corte bambú trenzado	No corte laminado de alta presión	Verifique el grosor de la chapa de madera (máx = 1/16")
Las aberturas del pasador se desplazan hacia afuera / oblongas por donde atraviesa el eje de la leva	No levante o cargue la cortadora por el mango	Devuelva lentamente el mango a la posición abierta - no deje que "caiga libremente"	Verifique el grosor de la chapa de madera (máx = 1/16")	Revise la lista de los materiales aprobados
No corta al borde del material	Verifique la alineación de la guía - ajuste si es necesario	No "doble" el material más allá del borde de la hoja	Asegúrese de que las guías angulares estén instaladas con el borde ANCHO hacia dentro (modelo 620)	

# **BULLET**

*B Y M A R S H A L L T O W N*®

104 S. 8th Ave., Marshalltown, IA  
Teléfono 800-888-0127 / 641-753-0127  
Fax 800-477-6341 / 641-753-6341  
[www.MARSHALLTOWN.com](http://www.MARSHALLTOWN.com)  
WS2637revA

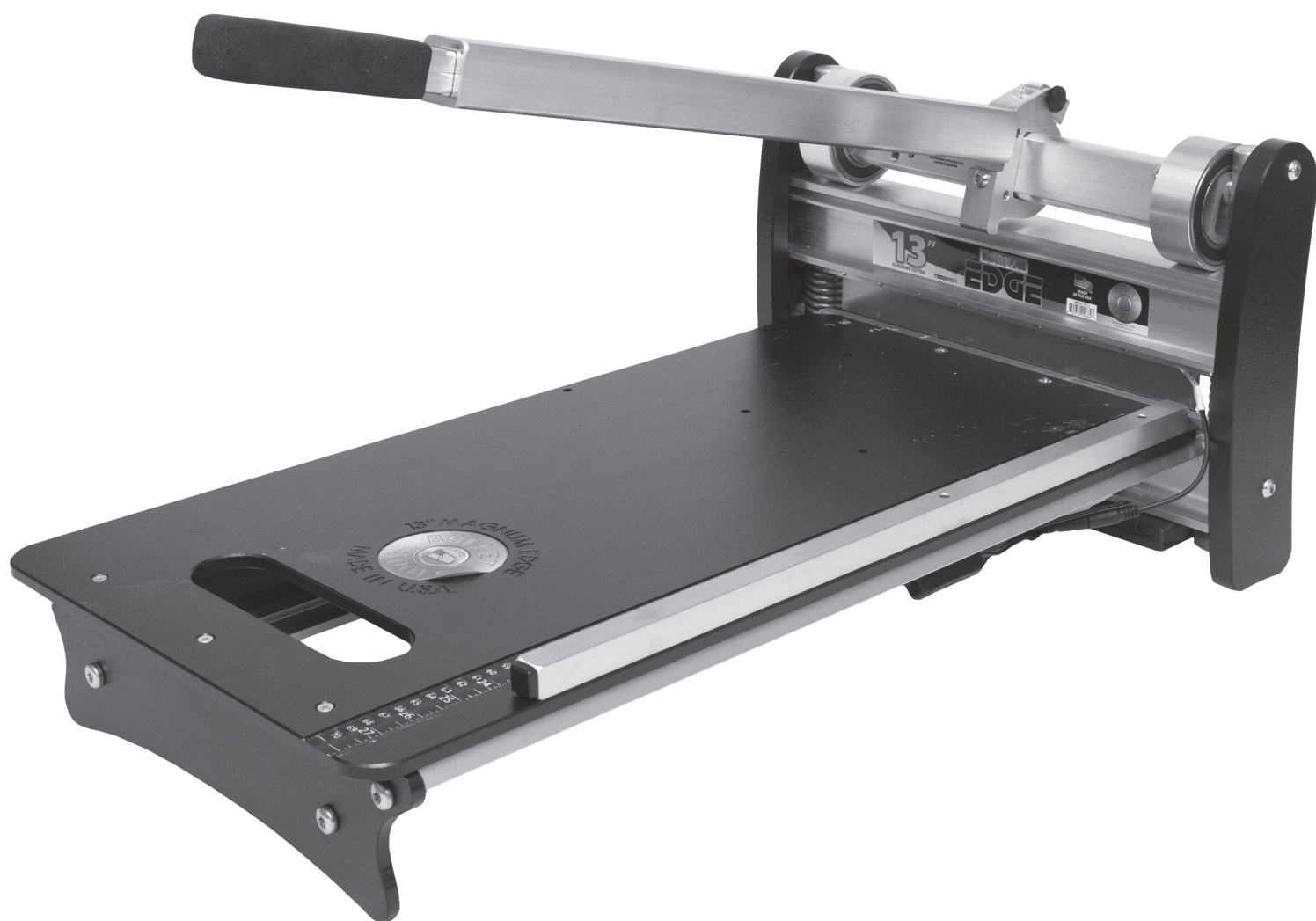


# **BULLET**

BY MARSHALLTOWN®

## **CISAILLE À REVÊTEMENT DE SOL MAGNUM EDGE 13 PO**

Réf. MS90-1913 | EDI 29987



104 S. 8th Ave. | Marshalltown, IA  
Téléphone 800-888-0127 / 641-753-0127 | Télécopieur 800-477-6341 / 641-753-6341  
[www.MARSHALLTOWN.com](http://www.MARSHALLTOWN.com)  
WS2637revA

# INTRODUCTION

Merci d'avoir acheté une cisaille à revêtement de sol Magnum Edge de 13 po de marque Bullet by Marshalltown. Cette cisaille à revêtement de sol robuste et polyvalente est un outil haut-de-gamme fabriqué aux États-Unis à partir de matériaux de la plus haute qualité. Nous l'avons conçu à l'intention des professionnels du revêtement de sol.

La cisaille à revêtement de sol Magnum Edge de 13 po présente les caractéristiques suivantes :

- Découpe facile et silencieuse en une fois
- Permet de couper à l'intérieur sans poussière, bruit ni câbles électriques
- Guide mobile pour les coupes à 45 et 90 degrés
- Fournie avec une barre lumineuse à DEL pour les coupes de précision
- Fabriquée en aluminium de qualité aviation léger et résistant
- Lame remplaçable
- Roulements à billes en acier pour des résultats de coupe inégalés

Et elle peut couper des matériaux de 1 po (25 mm) d'épaisseur et de 13 po (330 mm) de largeur, notamment :

- Plancher en bois franc massif (jusqu'à dureté Janka de 1250)
- Plancher en bois d'ingénierie (jusqu'à dureté Janka de 1400)
- Plancher stratifié
- LVP/WPC/SPC/MLF
- Panneau à âme rigide
- Plinthe à gorge en caoutchouc
- Plastique tendre
- Carreau PVC et caoutchouc

Ce manuel de l'utilisateur fournit l'information nécessaire pour faire fonctionner et entretenir cette cisaille à revêtement de sol Magnum Edge de 13 po. Veiller à lire avec attention et à respecter toutes les consignes de sécurité et d'utilisation de ce manuel. S'assurer que chaque utilisateur de cette cisaille à revêtement de sol a lu ce manuel avant d'utiliser l'appareil. Le remplacement de toute pièce de cette cisaille à revêtement de sol par une pièce autre qu'une pièce de rechange agréée par le fabricant peut avoir un effet contraire sur le fonctionnement, la durabilité ou la sécurité du produit.

**Veiller à bien respecter les mesures de sécurité. Lire et respecter toutes les consignes de sécurité et d'utilisation figurant dans ce manuel de l'utilisateur.** Le fabricant se réserve le droit de modifier ou d'améliorer le produit à tout moment sans préavis ni obligation. Le fabricant se réserve le droit de décider, à sa seule discrétion et à tout moment, d'abandonner ce produit ou certaines de ses pièces de rechange.

Ce manuel couvre la cisaille à revêtement de sol Magnum Edge de 13 po. Pour les questions techniques ou les pièces de rechange, appeler le service après-vente de MARSHALLTOWN au 1-800-888-0127 ou visiter [www.MARSHALLTOWN.com](http://www.MARSHALLTOWN.com).

# TABLE DES MATIÈRES

Introduction .....	2
Mesures de sécurité .....	3
Autocollants de sécurité .....	4
Garantie .....	4
Fonctionnement du produit .....	5
Entretien.....	7
Nomenclature des pièces .....	9
Dépannage .....	12



## MESURES DE SÉCURITÉ



• Les panonceaux DANGER et AVERTISSEMENT sont placés à proximité de zones dangereuses particulières.

• Les panonceaux ATTENTION comportent des mesures générales de précaution.

- Ce symbole apparaît avant les mises en garde dans le texte. Il signifie que l'étape qui suit doit être effectuée pour écarter les risques de blessures corporelles ou de mort. Ces mises en garde ont pour objet d'aider le technicien à éviter les dangers potentiels rencontrés durant les procédures normales d'entretien. Nous conseillons vivement au lecteur de tenir compte de l'information fournie afin d'éviter les blessures personnelles ou à autrui.

LES MESURES DE PRÉCAUTION SUIVANTES SONT CONSEILLÉES POUR ÉVITER LES ACCIDENTS. LE MEILLEUR UTILISATEUR EST UN UTILISATEUR PRUDENT. LA MAJORITÉ DES ACCIDENTS PEUVENT ÊTRE ÉVITÉS EN OBSERVANT CERTAINES PRÉCAUTIONS. POUR ÉVITER LES ACCIDENTS, LIRE ET RESPECTER LES MESURES DE PRÉCAUTION SUIVANTES AVANT D'UTILISER CE MATÉRIEL. LE MATÉRIEL DOIT ÊTRE UTILISÉ UNIQUEMENT PAR DES PERSONNES RESPONSABLES ET FORMÉES À SON UTILISATION.

 **PROPOSITION 65 DE CALIFORNIE - AVERTISSEMENT :** Ce produit peut exposer son utilisateur à des substances que l'État de Californie a déclarées responsables de cancer, malformations congénitales et autres effets nocifs sur la reproduction.

- Lire toutes les instructions d'utilisation et d'entretien avant d'utiliser ou d'entretenir la cisaille à revêtement de sol.
- Une cisaille à revêtement de sol est aussi sûre que son utilisateur seulement. Veiller à accorder toute son attention à l'utilisation de la cisaille à revêtement de sol.
- Savoir comment arrêter la cisaille instantanément.



**NE JAMAIS** utiliser la cisaille à revêtement si certaines de ses pièces ont été retirées.

- Toujours tenir les personnes inexpérimentées et non autorisées à l'écart de la cisaille à revêtement de sol.
- Maintenir la cisaille à revêtement de sol en bon état de fonctionnement. Les pièces desserrées ou endommagées sont dangereuses.
- Éviter les vêtements amples susceptibles d'être pris dans les pièces en mouvement.



Tenir les mains et les pieds à l'écart des pièces en mouvement.

- Maintenir toutes les étiquettes d'avertissement, de mise en garde et d'instructions de sécurité en bon état. Remplacer les étiquettes manquantes, endommagées ou illisibles.
- Dégager la zone de travail autour de la cisaille pour éviter de trébucher ou de tomber sur la cisaille.
- Travailler sur une surface plane pour éviter que la cisaille se renverse.
- NE PAS UTILISER cette cisaille à revêtement de sol alors qu'on est sous l'emprise de l'alcool ou qu'on prend des médicaments qui altèrent les réflexes.
- Utiliser uniquement des pièces de rechange autorisées par l'usine.
- Porter des lunettes de sécurité durant l'utilisation de la cisaille.
- Toujours faire preuve de précaution lors du changement de la lame de cisaille.
- Utiliser la cisaille uniquement avec des matériaux approuvés. Si une force excessive est nécessaire pour couper un matériau, cela peut provoquer des blessures corporelles ou des dommages à la cisaille à revêtement de sol.
- Porter une tenue de protection adaptée durant l'utilisation de la cisaille, notamment des yeux, des oreilles et des vêtements.
- Manipuler tous les solvants et produits nettoyants avec précaution et suivre les instructions du fabricant concernant la sécurité et l'élimination.

## AUTOCOLLANTS DE SÉCURITÉ

Si les autocollants de sécurité sont endommagés, ils peuvent être remplacés en s'adressant au service après-vente.

Étiquette de mise en garde de lame



R6166

Étiquette de mise en garde du manche



R7566

### GARANTIE

Ce produit est garanti à l'acheteur initial seulement contre les défauts de matériau et de fabrication dans des conditions normales d'utilisation, pendant 5 ans à compter de la date d'achat. MARSHALLTOWN s'engage à réparer ou à remplacer, sans frais de pièces ou de main-d'œuvre, toute pièce jugée défectueuse. Tous les frais de port pour les pièces de rechange seront à la charge de l'acheteur.

Pour recourir à la garantie, le produit doit être renvoyé à MARSHALLTOWN accompagné d'un justificatif de la date d'achat. Communiquer avec le service après-vente de MARSHALLTOWN pour déterminer la meilleure méthode de renvoi du produit sous garantie. Le produit devra être renvoyé au plus tard 30 jours après l'expiration de la période de garantie.

Toutes les garanties implicites, notamment de qualité marchande ou d'adaptation à un emploi particulier, sont limitées à une année à compter de la date d'achat par l'acheteur au détail initial et, dans la mesure permise par la loi, toutes les garanties sont exclues et rejetées après l'expiration de cette période.

Certains états ou provinces interdisent les limites de durée des garanties implicites ou l'exclusion ou la limitation des dommages accessoires ou indirects, par conséquent les limites ou exclusions ci-dessous peuvent ne pas s'appliquer à vous. La présente garantie vous confère des droits juridiques particuliers et vous pouvez également avoir d'autres droits, susceptible de changer d'une juridiction à l'autre.

Exclusions de la présente garantie :

1. Tous les dommages indirects, y compris l'enlèvement et la livraison de la machine, les communications, les frais de déplacement et la location de toute machine durant les réparations ne sont pas couverts aux termes de la présente garantie, ni aucun manque à gagner ou autre perte liée à un défaut de fonctionnement du produit en raison d'une défectuosité couverte par la garantie.
2. La présente garantie ne s'applique pas si le produit devient inopérant suite à une utilisation détournée, usure normale, négligence, entretien incorrect, accident ou dommages liés au transport ; s'il n'a pas été utilisé et entretenu conformément aux instructions figurant dans le manuel d'utilisation ; ou s'il a été altéré ou modifié sans l'autorisation du service après-vente du fabricant.
3. Ne pas renvoyer de pièces ou produits à l'usine sans autorisation écrite préalable du fabricant.

## FONCTIONNEMENT DU PRODUIT

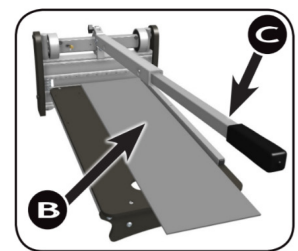
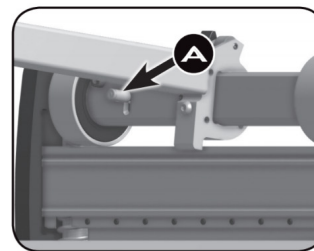
Remarque : Chaque 1 po (25 mm) de largeur nécessite une force d'environ 40 lb (18 kg) sur le levier (par ex., la coupe d'une lame de plancher de 4 po (100 mm) de largeur nécessite une force de 160 lb (72 kg), une lame de 5 po (125 mm) nécessite une force de 200 lb (90 kg)).

### EFFECTUER DES COUPES

La cisaille à revêtement de sol Magnum Edge est un outil manuel. Pour effectuer une coupe, l'utilisateur saisit le levier télescopique et l'appuie vers le bas.

#### COUPE

1. Pour déverrouiller, appuyer légèrement sur le levier, puis pousser le loquet cylindrique (A) vers le côté et le bas.
2. Placer le matériau (B) sur le plateau et le glisser sous le coupelet dans la position souhaitée pour la coupe.
3. Appuyer sur le levier (C) jusqu'à ce que le matériau soit complètement coupé.



#### RÉGLAGES

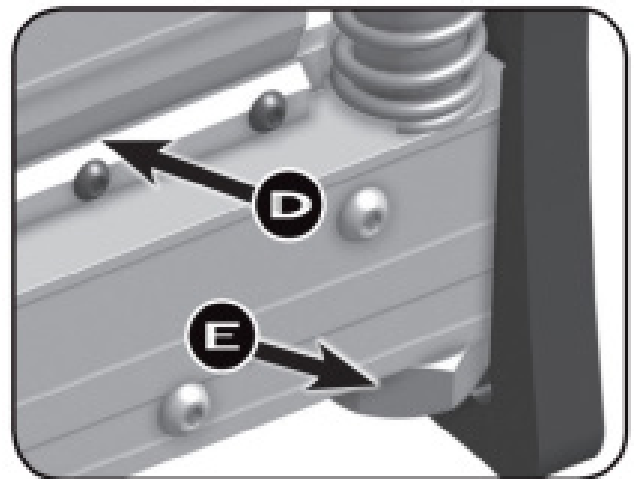
La lame doit être réglée de façon à entailler la butée de lame en plastique (D) lorsque le levier est poussé en position basse.

Pour ajuster la profondeur de la lame, tourner les deux gros écrous (E) sur la face inférieure de la base avec une clé de 1½ po (38 mm).

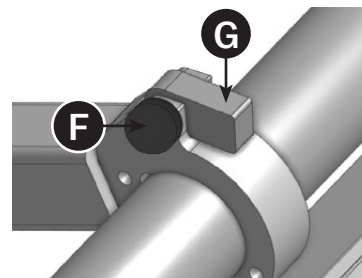
Veiller à les tourner tous les deux du même nombre de tours.

Régler par incréments de ¼ de tour et vérifier la profondeur de réglage de la lame.

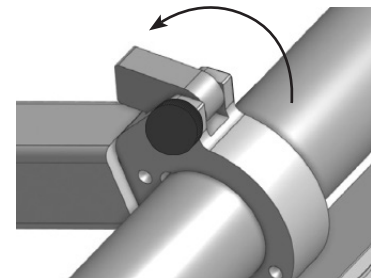
Pour écarter la lame afin de couper du matériau de 1 po (25 mm), desserrer le bouton de butée arrière (F) et basculer la butée arrière (G) vers le haut.



Remarque : Les matériaux approuvés peuvent présenter des densités et des duretés variées. Si une pression excessive est nécessaire pour couper un produit, cela peut endommager la machine. Communiquer avec MARSHALLTOWN avant de poursuivre. L'endommagement de la machine par un produit non approuvé a pour effet d'annuler la garantie.



BUTÉE EN BAS



BUTÉE EN HAUT

## VERROU DE BLOCAGE

Pour assurer une sécurité maximale, le verrou de blocage se rengage automatiquement en position verrouillée jusqu'à ce qu'on le débloque. Le verrou de blocage peut être désengagé en poussant le bouton vers le côté et le bas pour l'accrocher. (Illustré à droite)

## TRANSPORT

Il est important de se rengager le verrou et de bloquer le levier rétracté en position basse pour entreposer, porter ou transporter la cisaille à revêtement de sol Magnum Edge.

### CONSEIL PRATIQUE : COUPES DOUBLES

La majorité des matériaux se cisailent sans difficulté en une fois. Toutefois, certains produits peuvent nécessiter un cisaillement en deux temps pour produire une coupe plus propre.

Il suffit d'effectuer une première coupe à une distance de  $\frac{1}{8}$  po à  $\frac{1}{4}$  po (3 à 6 mm) au-delà du trait de coupe, puis de couper une deuxième fois directement sur le trait. Cela produit une coupe plus nette, ce qui est très utile s'il n'est pas possible d'utiliser une moulure ou une pièce de transition pour couvrir le bord coupé.



VERROU EN POSITION BLOQUÉE



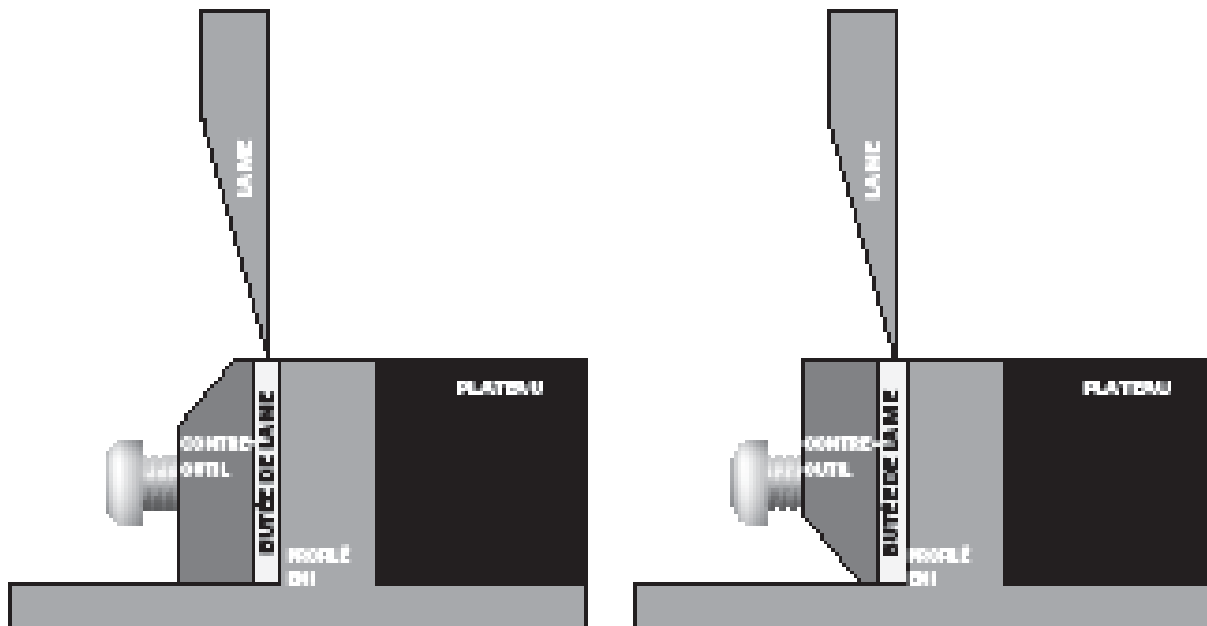
VERROU EN POSITION DÉBLOQUÉE

## LE CONTRE-OUTIL

Le contre-outil comporte deux faces : une face étroite de  $\frac{1}{32}$  po (0,75 mm) et une face large de  $\frac{3}{16}$  po (4,5 mm). L'une ou l'autre face peut être utilisée en fonction du support nécessaire pour effectuer une coupe nette (certains produits à endos souple nécessitent la face large du contre-outil).

### POUR CHANGER DE FACE DU CONTRE-OUTIL

Il suffit de retirer les vis du contre-outil et de retourner le contre-outil. Vérifier que la butée de lame est en place.





## ENTRETIEN

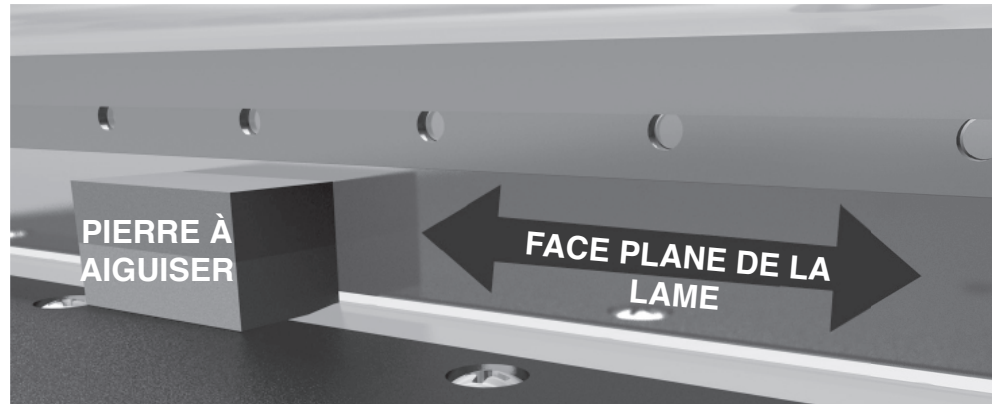
### AFFÛTER LA LAME

Pousser le levier vers le bas jusqu'à placer la lame à  $\frac{1}{8}$  po (3 mm) au-dessus du plateau. Placer la pierre à aiguiser fournie contre le face plane de la lame. Glisser la pierre à aiguiser d'un bout à l'autre de la lame 3 à 4 fois de suite. Cela permet d'éliminer les ébarbures de la lame.

Lorsque la cisaille est neuve, il est conseillé de l'affûter après la 5ème coupe. Affûter ensuite la lame toutes les 10 coupes jusqu'à la 100ème, après quoi la lame est rodée. À partir de là, il suffit d'affûter une fois pour chaque tâche ou projet. Faire preuve de précaution lors de l'affûtage de la lame. La lame est tranchante et peut facilement provoquer des blessures. Il est conseillé de porter des gants résistants aux coupures pour affûter la lame.



Pour plus d'information sur l'affûtage de la lame, numériser le code QR code ou visiter [www.marshalltown.com/honing-your-blade](http://www.marshalltown.com/honing-your-blade)



### AIGUISER LA LAME

La lame peut être aiguisée pour rétablir un tranchant de 21 à 22 degrés. Il est important de noter que la lame doit être aiguisée uniquement sur la face biseautée, en laissant la face plane intacte. Nous conseillons de confier le meulage à la machine exclusivement à un professionnel, car la lame doit être refroidie par un liquide durant l'opération.



### SERRER LES VIS

Lors de l'emploi normal, il arrive que plusieurs des vis de la cisaille se desserrent. Vérifier régulièrement le serrage de toutes les vis, en particulier des vis de fixation du levier. Elle doivent être tournée à fond puis serrées de  $\frac{1}{4}$  de tour supplémentaire. Utiliser une clé hexagonale de 4 mm ou 5 mm selon le cas.

# CHANGER LA LAME

Outils nécessaires : Clé « Allen » de  $\frac{5}{32}$  po ou de 4 mm

## 1. POSER LA CISAILLE À L'ENVERS

Conseil pratique : poser la cisaille au bord d'un établi solide.

## 2. DESSERRER LA LAME

À l'aide d'une clé « Allen » de  $\frac{5}{32}$  po ou de 4 mm, retirer les vis à tête ronde six pans creux.

## 3. RETIRER LA LAME

Saisir la lame aux deux extrémités et la soulever avec précaution hors de son logement.

## 4. REMONTER LA LAME

Tenir la lame aux deux extrémités et la placer avec précaution dans le logement de lame sur la tête de l'outil, avec la face plane de la lame du côté du plateau. S'assurer qu'elle est bien calée et qu'il n'y a aucune saleté dans le logement de lame.

## 5. SERRER LA LAME

À l'aide d'une clé « Allen » de  $\frac{5}{32}$  po ou de 4 mm, remettre les vis en place et les serrer en commençant par la vis du milieu.

## LUBRIFICATION

La cisaille Magnum Edge est prélubrifiée à la graisse sous les chapeaux d'extrémité. Regraisser toutes les 2 années d'utilisation ou si la cisaille commence à grincer.

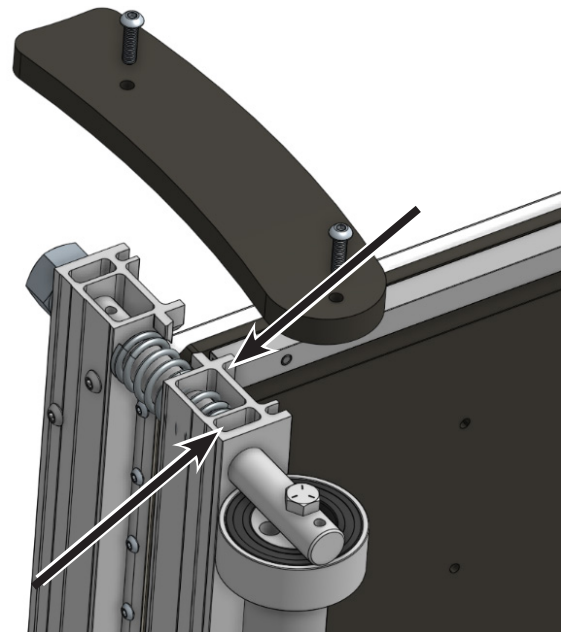
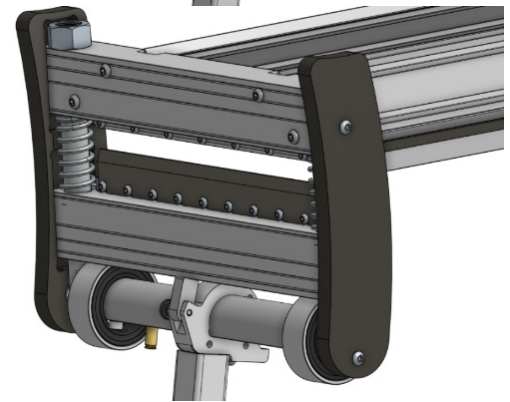
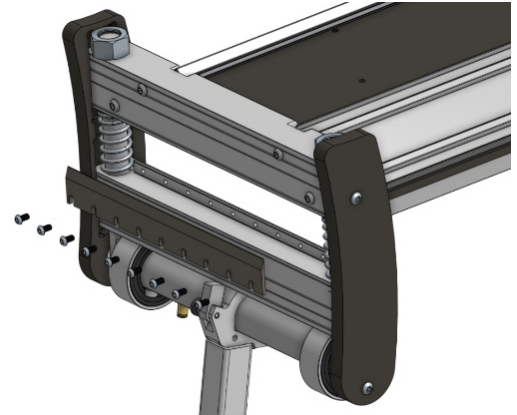
- Bloquer le levier en position basse
- Poser la cisaille Magnum Edge sur le côté
- Retirer le chapeau en dévissant les deux vis à tête ronde avec une clé « Allen » de 5 mm
- Garnir la cavité de graisse
- Remonter le chapeau
- Répéter l'opération de l'autre côté

## LA BUTÉE DE LAME

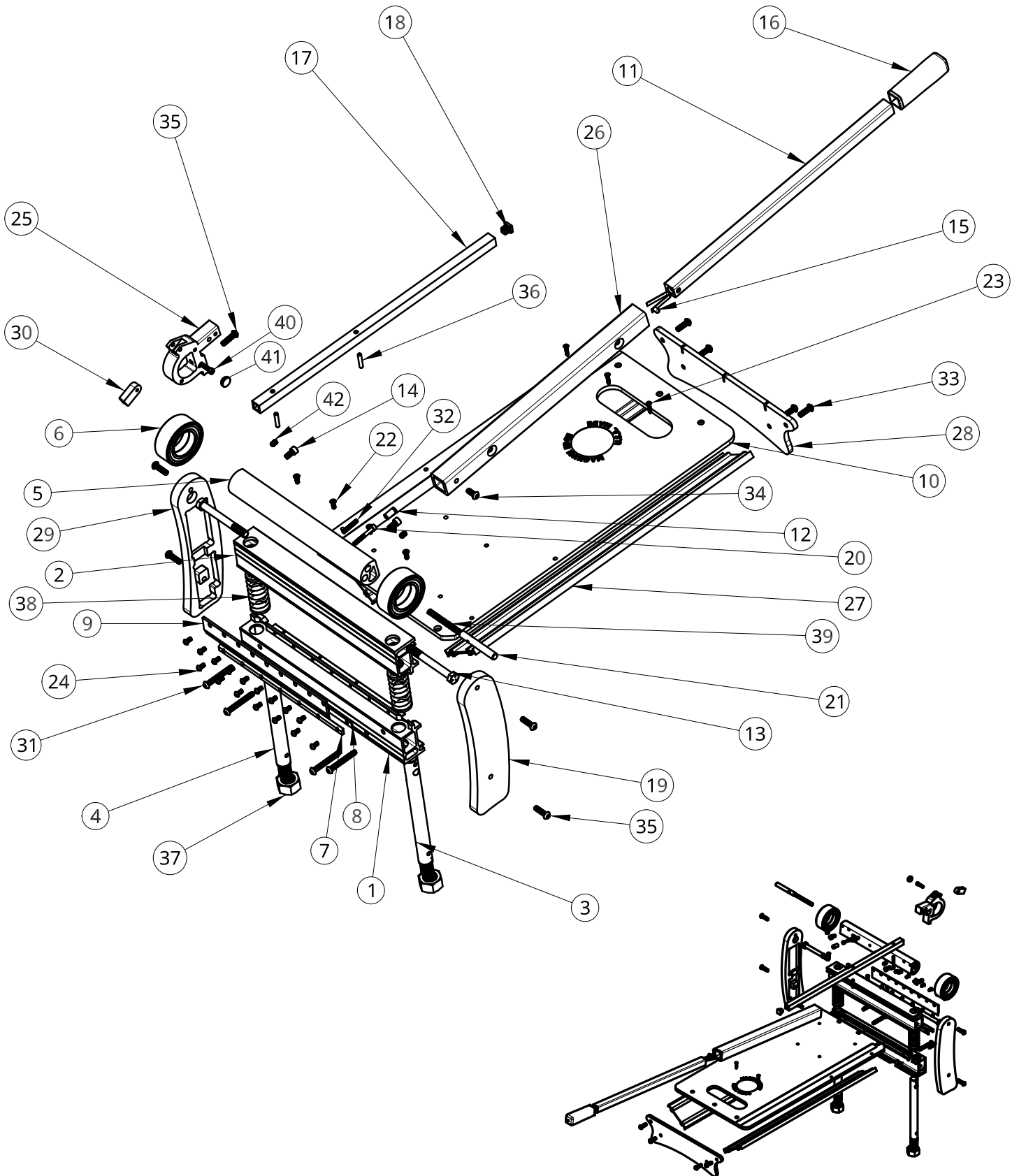
La butée de lame peut finir par s'user. Démontez le contre-outil et retournez la butée de lame pour continuer de l'utiliser. Des pièces de rechange peuvent être achetées auprès du revendeur.



**AVERTISSEMENT**  
FAIRE PREUVE DE LA PLUS GRANDE PRUDENCE!  
La lame est très coupante.



# NOMENCLATURE DES PIÈCES



## NOMENCLATURE DES PIÈCES

REP.	DESCRIPTION	EDI	RÉF. PIÈCE	QTÉ
1	BASE MAGNUM 1913	R7089	CON-BSE-1913	1
2	TÊTE MAGNUM 1913	R7216	CON-HED-1913	1
3	AXE MAGNUM SÉRIE 1900 (GAUCHE)	R7240	CON-PIN-190L	1
4	AXE MAGNUM SÉRIE 1900 (DROIT)	R7241	CON-PIN-190R	1
5	CAME MAGNUM 1913	R7127	CON-CAM-1913	1
6	PALIER DE CAME (ST-865BB)	R7529	SUB-BNG-PCAM	2
7	CONTRE-OUTIL ES00-EX13	R7023	CON-ANV-EX13	1
8	BUTÉE DE LAME ES00-EX13	R7120	CON-BST-EX13	1
9	LAME POUR REVÊTEMENT DE SOL MAGNUM 13 PO	WX2599	RAW-BDE-913B	1
10	PLATEAU MAGNUM 1913	R7333	CON-TBL-1913	1
11	LEVIER SUPÉRIEUR SÉRIE MAGNUM	R7207	CON-HAN-U900	1
12	DOUILLE .40 S&W	WX2532	GEN-BUL-LET4	1
13	VIS D'AXE ½ X 4.5 GALVA GRADE 5 - 9XX (125/BTE) (H5CI 12.412)	WR1508	FAS-BLT-9037	2
14	VIS DE CAME M8 X 16 SHCS 12.9 (100/BTE) (MET SC8.16H)	WR1611	FAS-SCW-9040	2
15	ÉPINGLE ÉLASTIQUE À BOUTON, ⅝ (847-07)	WR1630	GEN-SPR-0847	1
16	POIGNÉE DE LEVIER (1 X 1 X 5 X ⅜ PO)	WK232	GEN-HAN-0868	1
17	GUIDE UNIVERSEL	R7184	CON-FNC-9000	1
18	CAPUCHON ⅝ PO CARRÉ, LDPE NOIR	WL795	GEN-CAP-850E	1
19	CHAPEAU GAUCHE MAGNUM SÉRIE 1900	R7173	CON-END-190L	1
20	VIS M6 X 45 MM SHCS (MET SC6.45H) CRUISER (100/BTE)	WR1506	FAS-BLT-9010	1
21	GOUPILLE DE BLOCAGE DE CAME SÉRIE MAGNUM	R7154	CON-CML-D900	1
22	VIS FHP, M6 X 16, ZINGUÉE	WR1604	FAS-SCW-8569	4
23	VIS FHPSMS N° 10 X 1	WR1556	FAS-SCW-0010	3
24	VIS BHSCS M6 X 12 ZINGUÉE	WR1585	FAS-SCW-5612	16
25	EMBOUT POUR LEVIER MAGNUM SÉRIE 1900	R7296	CON-STB-1900	1
26	LEVIER INFÉRIEUR MAGNUM SÉRIE 1900	R7191	CON-HAN-190L	1
27	RAIL MAGNUM SÉRIE 1900	WC1138	CON-RAL-1900	2
28	PIED ARRIÈRE MAGNUM 1913	R7310	CON-TAL-1913	1
29	CHAPEAU DROIT MAGNUM SÉRIE 1900	R7174	CON-END-190R	1
30	BUTÉE DE COURSE ARRIÈRE MAGNUM EDGE	R7107	CON-BSS-19BS	1
31	VIS AUTO-TARAUDEUSE ⅝-18 X 2½ TORX PH	WR1597	FAS-SCW-7525	4
32	VIS SANS TÊTE, M6 X 35 MM BOUT CUVETTE (MET SS6.35)	WR1610	FAS-SCW-9035	1
33	VIS AUTO-TARAUDEUSE ⅝-18 X 1 TORX PH	WR1596	FAS-SCW-7510	4
34	VIS M8-1.25 X 20 BHSCS ZINGUÉE	WR1587	FAS-SCW-5821	1

## NOMENCLATURE DES PIÈCES (SUITE)

REP.	DESCRIPTION	EDI	RÉF. PIÈCE	QTÉ
35	VIS M8-1.25 X 30 BHSCS ZINGUÉE (MCMaster 92095A290)	WR1588	FAS-SCW-5830	5
36	AXE ¼ PO X 1¼ PO 100/BTE (S DP14.114)	WR1541	FAS-PIN-0881	2
37	ÉCROU 1-14	WR1524	FAS-NUT-1014	2
38	RESSORT (D.I. X L) 1,046 X 3,5	WR1631	GEN-SPR-0859	2
39	RESSORT, ⅜ X 3½ PO, VERROU	WR1640	GEN-SPR-D000	1
40	VIS SHCS M6 X 25 ZINGUÉE (N° MC 90128A265)	WR1737	FAS-SCW-EZ04	1
41	BOUTON MOLETÉ À ENFONCER M6 POUR SHCS, NOIR SHEARLOC# 83-98-931B, MCMaster 71175A064	WL814	GEN-KNB-931B	1
42	VIS SANS TÊTE M8 X 12 BOUT CUVETTE (100/BTE) VIS D'AXE (MET SS8.12)	WR1612	FAS-SCW-9041	2

## PIÈCES DE RECHANGE

EDI PIÈCE DE RECHANGE	RÉF. PIÈCE DE RECHANGE	DESCRIPTION	REPÈRE(S)
29927	913B	LAME POUR REVÊTEMENT DE SOL MAGNUM 13 PO	9
29860	847-RP	GOUPILLE ÉLAST. RECHANGE LEVIER ⅝ PO 1 CÔTÉ	15
29766	854-RP-1113	CONTRE-OUTIL DE RECHANGE, 13 PO X ½ PO POUR MARKSMAN ET MAGNUM EDGE	7
29768	869-RP-1113	BUTÉE DE LAME DE RECHANGE, 13 PO X ½ PO POUR MARKSMAN ET MAGNUM EDGE 13 PO	8
29907	868-RP-MAG	POIGNÉE DE RECHANGE, CARRÉ 1 PO X 5 PO	16
29871	856-RP-I	GUIDE DE RECHANGE, MAGNUM EDGE, 220-SID, SÉRIE I	17,18,36
29883	858-RP-U900	LEVIER DE RECHANGE HAUT SEULEMENT (MAGNUM EDGE SÉRIE 13 ET I)	11,15,16
29905	856UPG-RP	JEU DE PALIERS DE RECHANGE, 2 ROULEMENTS À BILLES AVEC BAGUES	6
29763	860-MAG-RP	GOUPILLE DE BLOCAGE DE CAME ½ PO DE RECHANGE	21
WR1585	FAS- SCW-5216	VIS BHSCS M6-1.0 X 12 ZINGUÉE	24

Les pièces de rechange sont disponibles à [www.marshalltown.com](http://www.marshalltown.com) – rechercher par le numéro EDI indiqué ci-dessus.

# DÉPANNAGE

## **Avant de dépanner, consulter le manuel :**

- La cisaille est-elle correctement assemblée?
- Est-elle correctement utilisée?
- Est-elle correctement lubrifiée?
- La lame a-t-elle été affûtée conformément aux recommandations?

## **Contrôler visuellement la cisaille, pour vérifier l'absence d'obstructions au mouvement de la lame et de la tête :**

- Présence de matières étrangères entre la lame et le contre-outil, dans les ressorts de l'axe ou sous la came.
- Voir si la lame présente des ébréchures, fissures ou ébarbures.
- Vérifier que les paliers sont en bon état et lubrifiés. Ils ne doivent pas tourner ou se déplacer sur la came durant l'utilisation.

*REMARQUE : Cette procédure de dépannage s'applique à toutes les cisailles Bullet. Si on n'est pas sûr qu'elle se rapporte à la cisaille, communiquer avec le service après-vente Marshalltown.*



<b>PROBLÈME</b>	<b>1er CONTRÔLE</b>	<b>2e CONTRÔLE</b>	<b>3e CONTRÔLE</b>	<b>4e CONTRÔLE</b>
Découpe difficile	Vérifier que la goupille de blocage de came est SORTIE. S'il y a lieu, engager les lobes de came (226)	Vérifier que le levier est COMPLÈTEMENT étendu	Vérifier l'affûtage/l'état de la lame	Contrôler et lubrifier les paliers/axes
Ne coupe pas complètement à travers les matériaux	Voir si les orifices des axes de coulissement sont oblongs/déformés	Régler la butée de course avant (cisailles MAGNUM)	Contrôler l'usure/le jeu des paliers	Vérifier que la lame est à sa hauteur nominale
Grippage de la lame après les découpes	Contrôler/démonter et changer les butées de lame endommagées	Vérifier le serrage des vis de la lame	Démonter le contre-outil, le retourner et le remonter	Voir s'il y a des marques sur le contre-outil (dépassement de coupe)
Coupes grossières ou écrasées	Vérifier l'épaisseur du placage (Max = $\frac{1}{16}$ po / 1,5 mm)	Vérifier l'état de la lame (ébréchures, ébarbures, cassures)	Vérifier que la lame est affûtée et aiguisée	Consulter la liste des matériaux approuvés
Les coupes ne sont pas d'équerre	Desserrer les vis du guide, aligner le guide et resserrer	Voir si les broches présentent une usure inégale	Contrôler le contact entre lame et contre-outil/butée de lame	
Le levier ne revient pas en position ouverte	Vérifier que les axes sont lubrifiés	Graisser la surface de contact des paliers	Lubrifier les vis d'axe	Vérifier que les ressorts ne sont pas cassés
Le matériau ne passe pas dans l'espace de coupe	Vérifier l'épaisseur maximale de matériau pour la cisaille	Retourner la butée de course arrière	Vérifier que la lame est à sa hauteur nominale	Sur les modèles à deux paliers, changer le palier engagé
Goupille de blocage de came déformée/coincée	Ne pas soulever ni transporter la cisaille par le levier	Ramener le levier lentement en position ouverte, ne pas lâcher brusquement	Extraire la goupille de blocage de came AVANT de couper	
La lame s'ébrèche	Affûter comme indiqué dans le manuel (~25 coupes, puis chaque jour)	Ne pas découper de bambou en fibres	Ne pas découper de stratifié haute pression	Vérifier l'épaisseur du placage (max = $\frac{1}{16}$ po / 1,5 mm)
Orifices d'axe de came déformés/oblongs dans les axes de coulissement	Ne pas soulever ni transporter la cisaille par le levier	Ramener le levier lentement en position ouverte, ne pas lâcher brusquement	Vérifier l'épaisseur du placage (Max = $\frac{1}{16}$ po / 1,5 mm)	Consulter la liste des matériaux approuvés
Ne coupe pas jusqu'au bord du matériau	Vérifier l'alignement du guide, ajuster s'il y a lieu	Ne pas « incliner » le matériau au-delà du tranchant de la lame	Vérifier que le ou les guides d'angle sont installés avec le bord LARGE vers l'intérieur (modèle 620)	

# **BULLET**

*B Y M A R S H A L L T O W N*®

104 S. 8th Ave., Marshalltown, IA  
Téléphone 800-888-0127 / 641-753-0127  
Télécopie 800-477-6341 / 641-753-6341  
[www.MARSHALLTOWN.com](http://www.MARSHALLTOWN.com)  
WS2637revA

# **BULLET**

BY MARSHALLTOWN®

## **13"-HEBELSCHNEIDER FÜR BODENBELÄGE MIT MAGNUM-MESSERSCHNEIDE**

Bestell-Nr. MS90-1913 | EDI-Nr. 29987



104 S. 8th Ave. | Marshalltown, Iowa (USA)  
Tel.: +1 800-888-0127 / +1 641-753-0127 | Fax: +1 800-477-6341 / +1 641-753-6341  
[www.MARSHALLTOWN.com](http://www.MARSHALLTOWN.com)  
WS2637revA

# EINFÜHRUNG

Wir freuen uns, dass Sie sich für den Kauf des 13"-Hebelschneiders für Bodenbeläge mit Magnum-Messerschneide aus der Produktserie Bullet by Marshalltown entschieden haben. Vielen Dank! Dieser Hebelschneider der Spitzenklasse ist ein vielseitiger, für hohe Beanspruchungen ausgelegter Hebelschneider für Bodenbeläge, der mit den hochwertigsten Materialien in den USA hergestellt wird. Bei der Konstruktion dieses Werkzeugs haben wir uns von den Anforderungen professioneller Fußbodenverleger leiten lassen.

Ihr neuer 13" Hebelschneider für Bodenbeläge mit Magnum-Messerschneide bietet die folgenden Funktionsmerkmale:

- Mit einem einzigen, einfachen Schnitt wird das gewünschte Ergebnis erzielt
- Das Gerät ermöglicht ein Schneiden in Innenräumen ohne Staub, Lärm oder Stromkabel
- Integriertes Lineal und verschiebbares Führungslineal für 45- und 90-Grad-Schnitte
- Für Präzisionsschnitte ist ein LED-Leuchtstreifen inbegriffen
- Ausführung aus festem, leichtem, luftfahrttauglichem Aluminium
- Austauschbares Messer
- Stahlkugellager für eine beispiellose Schneidleistung

Das Gerät kann Materialien bis zur einer Dicke von 25 mm und einer Breite von 330 mm schneiden, darunter:

- Massivhartholz-Fußbeläge (bis zu einem Janka-Härtewert von 1250)
- Holzwerkstoff-Fußbeläge (bis zu einem Janka-Härtewert von 1400)
- Laminat
- LVP/WPC/SPC/Mehrschicht-Bodenbeläge
- Rigid Core (harter Kern)
- Rubber Cove Base (Kautschuk-Bodenleisten)
- Weiche Kunststoffe
- PVC- und Gummifliesen

Diese Bedienungsanleitung enthält alle für Bedienung und Instandhaltung des 13"-Hebelschneiders für Bodenbeläge mit Magnum-Messerschneide erforderlichen Informationen. Lesen und befolgen Sie sorgfältig alle Sicherheits- und Bedienungshinweise in dieser Anleitung. Stellen Sie sicher, dass jeder Bediener dieses Hebelschneiders für Bodenbeläge diese Anleitung vor Gebrauch des Geräts gelesen hat. Der Ersatz jeglicher Teile dieses Hebelschneiders für Bodenbeläge durch nicht vom Hersteller autorisierte Komponenten kann die Leistung, Haltbarkeit oder Sicherheit des Produkts beeinträchtigen.

**Stellen Sie sicher, dass alle Sicherheitsvorkehrungen getroffen werden. Lesen und befolgen Sie alle Sicherheits- und Bedienungshinweise in dieser Bedienungsanleitung.** Der Hersteller behält sich das Recht vor, ohne Ankündigung oder einer damit verbundenen Verpflichtung jederzeit Änderungen oder Verbesserungen an seinem Produkt vorzunehmen. Der Hersteller behält sich ferner das Recht vor, die Produktion dieses Produkts oder seiner Ersatzteile im eigenen Ermessen jederzeit einzustellen.

Diese Anleitung betrifft den 13"-Hebelschneider für Bodenbeläge mit Magnum-Messerschneide. Bei technischen Fragen oder zum Bezug von Reparaturteilen rufen Sie bitte den MARSHALLTOWN-Kundendienst unter der Rufnummer 1-800-888-0127 an oder besuchen Sie [www.MARSHALLTOWN.com](http://www.MARSHALLTOWN.com).

# INHALTSVERZEICHNIS

Einführung.....	2
Sicherheitsvorkehrungen.....	3
Sicherheitsaufkleber.....	4
Garantie.....	4
Bedienung des Produkts.....	5
Wartung.....	7
Teileaufschlüsselung.....	9
Fehlersuche und -behebung.....	12

## SICHERHEITSVORKEHRUNGEN



- Die Sicherheitssymbole **GEFAHR** und **WARNUNG** dienen der Kennzeichnung bestimmter Gefahren.
- Neben Sicherheitssymbolen mit der Aufschrift **VORSICHT** sind Sicherheitshinweise allgemeiner Art angegeben.

• Dieses Symbol erscheint vor Warnungen im Text. Es weist darauf hin, dass der im Anschluss beschriebene Schritt ausgeführt werden muss, um das Risiko von Verletzungen, auch mit Todesfolge, zu vermeiden. Diese Warnungen sollen dem Techniker dabei helfen, potenzielle Gefahren zu vermeiden, die bei der Ausführung normaler Instandhaltungsarbeiten auftreten. Wir empfehlen dem Leser nachdrücklich, durch Beachtung der entsprechenden Hinweise Verletzungen seiner eigenen und anderer Personen zu vermeiden.

DIE FOLGENDEN VORSICHTSMASSNAHMEN DIENEN DER VERMEIDUNG VON UNFÄLLEN. EIN UMSICHTIGER BEDIENER IST DER BESTE BEDIENER. DIE MEISTEN UNFÄLLE KÖNNEN BEI BEACHTUNG BESTIMMTER VORSICHTSMASSNAHMEN VERMIEDEN WERDEN. LESEN UND BEACHTEN SIE VOR DER BEDIENUNG DIESES GERÄTS DIE FOLGENDEN VORSICHTSMASSNAHMEN, UM UNFÄLLE ZU VERHÜTEN. DER HEBELSCHNEIDER DARF NUR VON IHRER VERANTWORTUNG BEWUSSTEN PERSONEN BEDIENT WERDEN, DIE IM UMGANG MIT DEM GERÄT GESCHULT WURDEN.



**WARNUNG GEMÄSS „CALIFORNIA PROPOSITION 65“:** Dieses Produkt kann Sie mit Chemikalien in Kontakt bringen, von denen dem US-Bundesstaat Kalifornien bekannt ist, dass sie Krebs, Geburtsfehler oder andere Störungen des Fortpflanzungssystems verursachen.

- Vor Betrieb oder Instandhaltung des Hebelschneiders für Bodenbeläge alle Bedienungs- und Wartungsanweisungen lesen.
- Hebelschneider für Bodenbeläge können nur von einem auf die Sicherheit achtenden Bediener sicher bedient werden. Beim Arbeiten mit dem Hebelschneider für Bodenbeläge keine Ablenkungen zulassen.
- Informieren Sie sich darüber, wie der Hebelschneider für Bodenbeläge sofort zum Stillstand gebracht werden kann.



Den Hebelschneider für Bodenbeläge **NICHT** in Betrieb nehmen, wenn zuvor irgendwelche Komponenten des Geräts entfernt wurden.

- Unerfahrenen und unbefugten Personen ist der Zugang zum Hebelschneider für Bodenbeläge zu verwehren.
- Einen einwandfreien Betriebszustand des Hebelschneiders für Bodenbeläge gewährleisten. Lose oder beschädigte Teile stellen eine Gefahr dar.
- Das Tragen von lose anliegenden Kleidungsstücken vermeiden, die sich in bewegten Teilen verfangen können.



Hände und Füße von bewegten Teilen fernhalten.

- Auf einen guten Zustand aller Warn-, Vorsichts- und Sicherheitshinweisaufkleber achten. Fehlende, beschädigte und unleserliche Aufkleber sind zu ersetzen.
- Den Arbeitsbereich rund um den Hebelschneider aufräumen, damit keine Personen stolpern und auf das Gerät fallen können.
- Das Gerät auf ebenem Boden betreiben, damit der Hebelschneider für Bodenbeläge nicht umkippen kann.
- Diesen Hebelschneider für Bodenbeläge **NICHT** unter dem Einfluss von Alkohol oder Medikamenten in Betrieb nehmen, welche die Reaktionsfähigkeit beeinträchtigen.
- Nur Original-Ersatzteile verwenden.
- Beim Bedienen des Hebelschneiders für Bodenbeläge eine Schutzbrille tragen.
- Beim Auswechseln des Schneidmessers mit der gebotenen Vorsicht vorgehen.
- Den Hebelschneider nur mit dafür zugelassenen Materialien bedienen. Wenn zum Schneiden eines Materials ein extrem hoher Kraftaufwand erforderlich ist, kann es zu Verletzungen und/oder Beschädigungen des Hebelschneiders für Bodenbeläge kommen.
- Bei der Bedienung des Hebelschneiders für Bodenbeläge ist eine angemessene Schutzbekleidung mit Augen- und Ohrenschutz zu tragen.
- Alle Lösemittel und Reinigungsflüssigkeiten sind mit Vorsicht zu behandeln; die Hinweise des Herstellers zur Sicherheit und Entsorgung sind zu beachten.

## SICHERHEITSAUFKLEBER

Wenn Ihre Sicherheitsaufkleber beschädigt sind, können Sie vom Kundendienst Ersatzaufkleber anfordern.

Messer-Warnaufkleber



R6166

Griff-Warnaufkleber



R7566

### GARANTIE

Auf dieses Produkt wird die auf den Erstkäufer beschränkte Garantie gewährt, dass es für einen Zeitraum von 5 Jahren ab dem Kaufdatum bei normalem Gebrauch weder Material- noch Ausführungsmängel aufweist. MARSHALLTOWN verpflichtet sich, Teile, an denen Mängel festgestellt werden, ohne Berechnung von Material- oder Arbeitskosten zu reparieren oder zu ersetzen. Alle Kosten für den Versand von Ersatzteilen sind vom Käufer zu tragen.

Um den Garantiedienst in Anspruch nehmen zu können, muss das Produkt mit einem das Kaufdatum ausweisenden Beleg an MARSHALLTOWN geschickt werden. Wenden Sie sich an den MARSHALLTOWN-Kundendienst, um sich zur optimalen Versandmethode des unter Garantieschutz stehenden Produkts beraten zu lassen. Die Zustellung des Produkts muss spätestens 30 Tage nach Ablauf der Garantiezeit erfolgen.

Alle stillschweigenden Garantien, darunter Garantien der Marktgängigkeit und Eignung zu einem bestimmten Zweck, sind auf einen Zeitraum von einem Jahr ab dem Datum des Kaufs durch den Einzelhandels-Erstkunden und im gesetzlich zulässigen Umfang beschränkt; nach Ablauf dieser Frist sind alle stillschweigenden Garantien ausgeschlossen und werden abgelehnt.

Bestimmte Rechtsprechungen gestatten keine zeitlichen Beschränkungen stillschweigender Garantien oder keine Ausschlüsse oder Beschränkungen von Ersatzansprüchen infolge von Neben- oder Folgeschäden, weshalb die oben genannten Beschränkungen oder Ausschlüsse gegebenenfalls nicht auf Sie zutreffen. Diese Garantie gewährt Ihnen bestimmte Rechte. Darüber hinaus verfügen Sie je nach Rechtsprechung gegebenenfalls noch über weitere Rechte.

Ausschlüsse von dieser Garantie:

1. Ersatzansprüche für Folgeschäden, einschließlich der Kosten der Abholung und Lieferung des Geräts, der Kommunikation, Fahrkosten und/oder der Anmietung eines Ersatzgeräts während einer Reparatur, fallen nicht unter diese Garantie. Dies gilt auch für Einkommensausfälle und/oder sonstige Verluste, die auf einen Funktionsausfall des Produkts infolge eines von der Garantie gedeckten Fehlers zurückzuführen sind.
2. Diese Garantie ist nichtig, wenn das Produkt infolge von Missbrauch, normalem Verschleiß, Fahrlässigkeit, unsachgemäßer Wartung, Unfällen oder Transportschäden funktionsunfähig wird, nicht gemäß den Anweisungen in der Bedienungsanleitung betrieben und gewartet wurde oder ohne Genehmigung der werkseigenen Kundendienstabteilung modifiziert wurde.
3. Teile oder Produkte dürfen ohne vorherige Genehmigung des Werks nicht an dieses zurückgeschickt werden.



# BEDIENUNG DES PRODUKTS

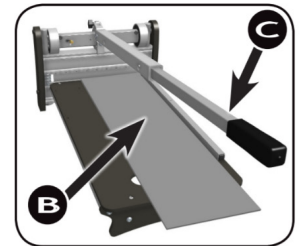
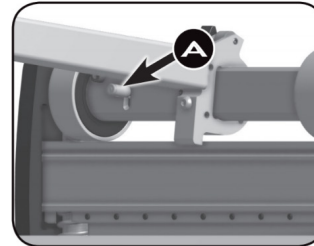
Hinweis: Je 25 mm Breite ist ein Kraftaufwand von ca. 18 kg gegen den Hebel erforderlich. (Bsp.: Zum Schneiden einer 101 mm breiten Planke ist ein Kraftaufwand von 72 kg erforderlich, zum Schneiden einer 127 mm breiten Planke ein Kraftaufwand von 90 kg.)

## AUSFÜHREN VON SCHNITTEN

Der Hartholz-Hebelschneider mit Magnum-Schneidmesser wird von Hand bedient. Der Bediener fasst den zweiteiligen, ausfahrbaren Griff und drückt diesen nach unten, um den Schnitt auszuführen.

### SCHNEIDEN

1. Zum Entriegeln den Hebel vorsichtig nach unten drücken und den Bullet-Cam-Lock-Bolzen (A) nach innen und nach unten schieben.
2. Das Material (B) auf den Tisch legen und bis zur gewünschten Schneidposition unter das Messer schieben.
3. Den Hebel (C) nach unten drücken, bis das Material vollständig durchgeschnitten ist.



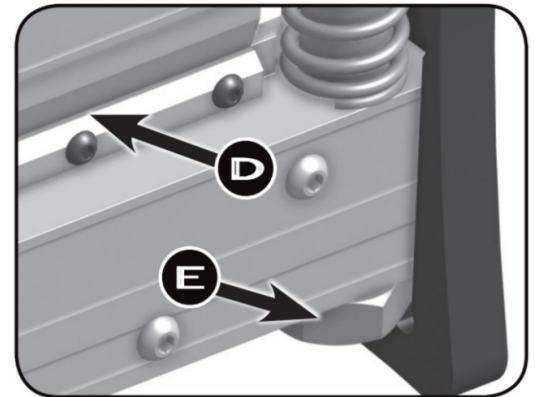
### EINSTELLUNGEN

Das Messer sollte so eingestellt werden, dass es beim Herunterdrücken des Hebels in den Kunststoff-Messeranschlag (D) schneidet.

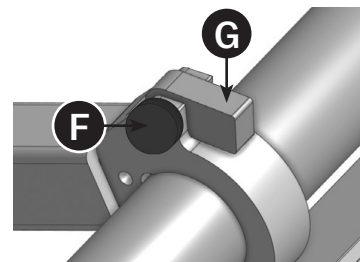
Zum Einstellen der Schneidtiefe des Messers die beiden großen Muttern (E) an der Unterseite des Bodens mit einem 38-mm-Schraubenschlüssel anziehen.

Es ist darauf zu achten, dass beide Muttern gleichmäßig angezogen werden. Die Muttern um jeweils eine Vierteldrehung anziehen und die eingestellte Messertiefe regelmäßig überprüfen.

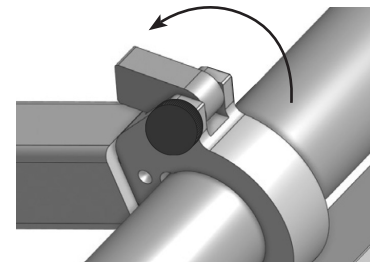
Um das Messer soweit anzuheben, dass Material mit einer Dicke von 25 mm geschnitten werden kann, den hinteren Anschlag-Drehknopf (F) lockern und den hinteren Anschlag (G) nach oben verstellen.



*Bitte beachten: Die für das Gerät geeigneten Materialien können sich bzgl. ihrer Dichte und Härte unterscheiden. Wenn zum Schneiden eines Produkts ein extrem hoher Kraftaufwand erforderlich ist, kann die Maschine beschädigt werden. Kontaktieren Sie MARSHALLTOWN, bevor Sie fortfahren. Bei Maschinenschäden infolge der Verwendung eines nicht geeigneten Produkts ist die Garantie nichtig.*



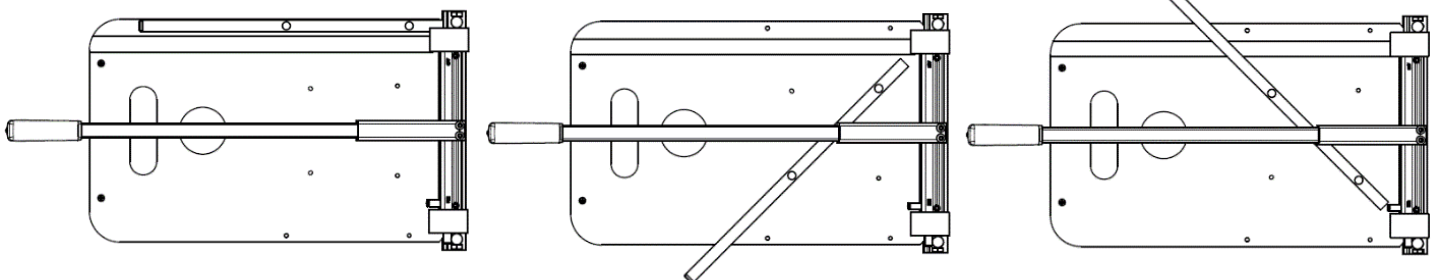
HINTERER ANSCHLAG NACH UNTEN



HINTERER ANSCHLAG NACH OBEN

## 45-GRAD-SCHNITTE

Heben Sie das Reibpassungs-Führungslinéal kräftig vom Tisch ab und drücken Sie es in der entsprechenden 45-Grad-Position wieder hinein. **HINWEIS:** Dieses Bild stellt nur den Marksman dar. Ihr Hebelschneidermodell sieht ggf. etwas anders aus.



## SICHERHEITSPERRE

Um eine optimale Sicherheit zu gewährleisten, wird die Sicherheitssperre automatisch in die „gesperrte“ Position zurückversetzt, wenn sie nicht von Hand gelöst wird. Die Sperre kann gelöst werden, indem der Verriegelungsknopf nach hinten und dann nach unten gedrückt wird, bis er in seinem Schlitz einrastet (siehe Abb. rechts).

## TRANSPORT

Beim Lagern, Tragen oder Transportieren des Magnum-Hebelschneiders für Bodenbeläge muss die Sperre wieder betätigt und der eingefahrene Griff in seiner unteren Stellung gesichert werden.

## TIPP: DOPPELSCHNITT

Für manche Materialien reicht ein einziger Schnitt völlig aus. Bestimmte Produkte allerdings bedürfen ggf. eines zweiten Schnitts, um bessere Ergebnisse zu erzielen.

Führen Sie Ihren ersten Schnitt einfach in einem Abstand von 3 bis 6 mm von der eigentlichen Schnittlinie aus, bevor Sie den zweiten Schnitt direkt an der Schnittlinie ausführen. Damit erzielen Sie einen saubereren Schnitt, wenn die Schnittkante nicht mit einer Zierleiste oder einem Übergangsstück abgedeckt werden kann.

## TIPP:

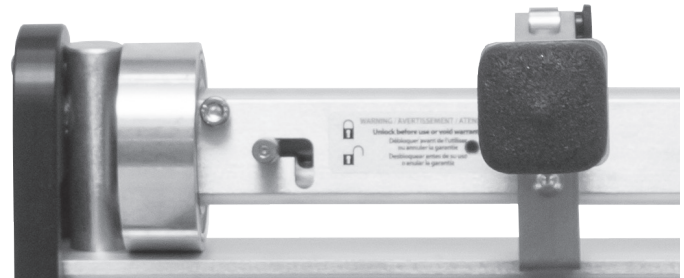
Wenn die Nut Ihrer Planken beim Schneiden reißt, legen Sie ein Stück Ausschuss als Stütze an der Seite an.

## SCHNEIDBACKE

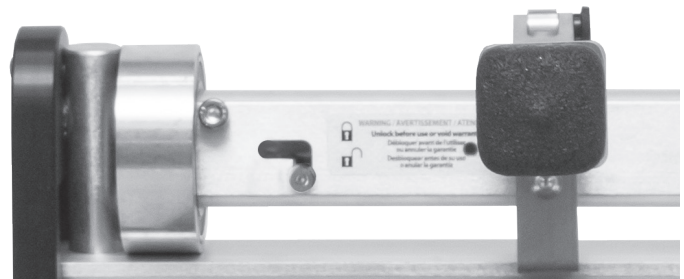
Die Schneidbacke hat zwei Kanten: eine schmale 0,75-mm-Kante und eine breite 4,5-mm-Kante. Beide Kanten können je nach der benötigten Auflage für einen sauberen Schnitt verwendet werden. (Für bestimmte Produkte mit einer weichen Unterschicht ist die breite Schneidbackenkante erforderlich.)

## WECHSEL ZWISCHEN SCHNEIDBACKENKANTEN

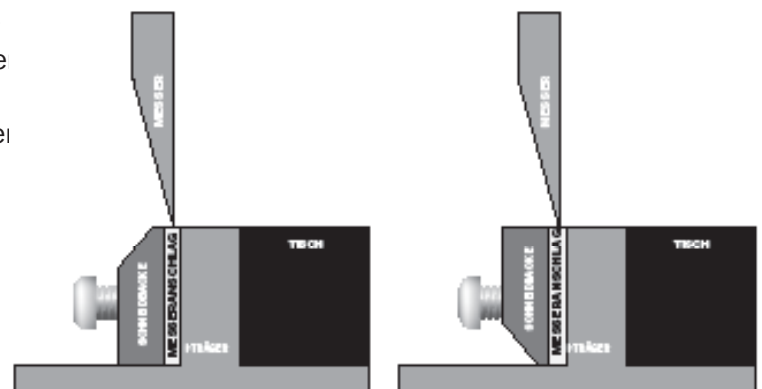
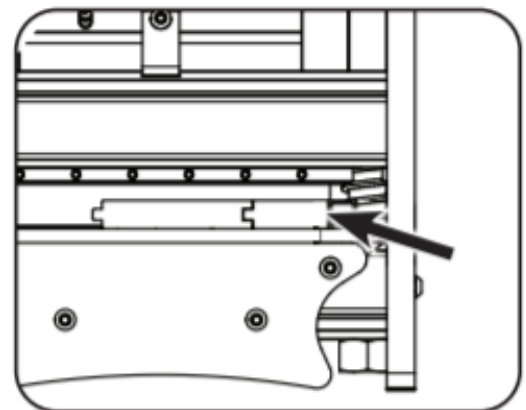
Entfernen Sie einfach die Schneidbackenschrauben und drehen Sie die Schneidbacke um. Der Messeranschlag muss sich in der vorgesehenen Position befinden.



CAM-LOCK IN GESICHERTER POSITION



CAM-LOCK IN ENTRIEGELTER POSITION

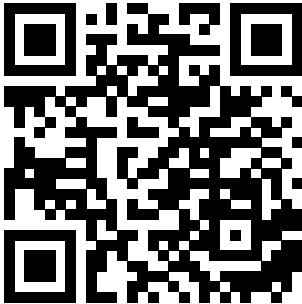


## Wartung

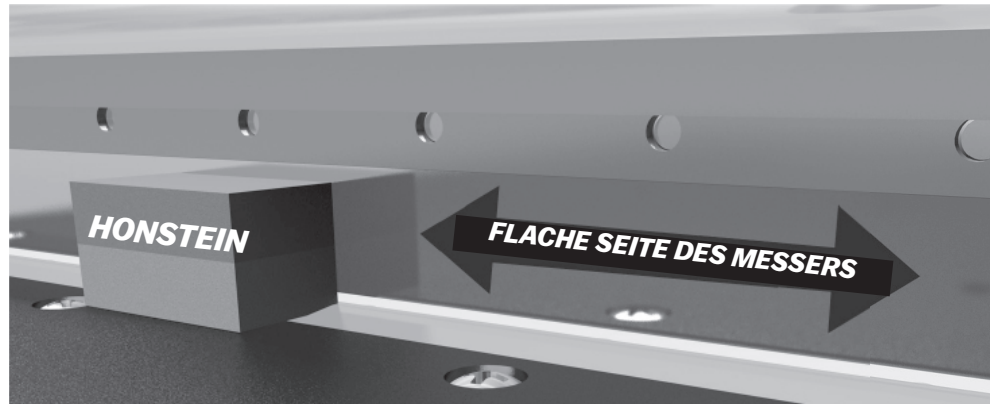
### HONEN DES MESSERS

Drücken Sie den Griff so weit nach unten, bis sich die Messerklinge 3 mm über der Tischfläche befindet. Halten Sie den im Lieferumfang enthaltenen Honstein gegen die flache Seite der Klinge. Ziehen Sie den Honstein 3- 4 Mal von einem Ende der Messerklinge zur anderen. Dadurch werden etwaige Grate von der Klinge entfernt.

Einen neuen Hebelschneider sollten Sie nach dem 5. Schnitt erstmals honen. Während der nächsten 100 Schnitte honen Sie das Messer nach jedem 10. Schnitt, bis es eingearbeitet ist. Daraufhin muss es nur noch vor jedem Schneidprojekt gehont werden. Beim Honen der Klinge vorsichtig vorgehen. Die Klinge ist scharf und kann leicht Verletzungen verursachen. Daher wird beim Honen des Messers das Tragen von schnittfesten Handschuhen empfohlen.



Für nähere Informationen über das Honen Ihres Schneidmessers scannen Sie diesen QR-Code oder besuchen Sie [www.marshalltown.com/honing-your-blade](http://www.marshalltown.com/honing-your-blade).



### SCHÄRFEN DER MESSERKLINGE

Durch Schärfen des Messers kann auf einer (1) Seite eine 21°-22°-Schneide wiederhergestellt werden. Die Klinge darf nur auf der abgeschrägten Seite geschliffen werden; die flache Seite muss flach bleiben. Wir empfehlen, ein elektrisches Schärfen nur in einem Fachgeschäft vornehmen zu lassen, da die Klinge während dieses Vorgangs durch eine Flüssigkeit gekühlt werden muss.



### ANZIEHEN DER SCHRAUBEN

Bei normalen Gebrauch können sich mehrere Schrauben an diesem Hebelschneider mit der Zeit lockern. Überprüfen Sie alle Schrauben regelmäßig auf einen festen Sitz, insbesondere die Schrauben, mit denen der Handgriff befestigt ist. Sie sollten bis zum Anschlag hineingedreht und dann um eine weitere Vierteldrehung angezogen werden. Verwenden Sie einen passenden 4- oder 5-mm-Inbusschlüssel.

# MESSERWECHSEL

Benötigtes Werkzeug: 4-mm-Inbusschlüssel

## 1. HEBELSCHNEIDER UMDREHEN

Tipp: Setzen Sie den Hebelschneider auf einem stabilen Tisch ab.

## 2. MESSER LOCKERN

Entfernen Sie die Halbrundkopf-Innensechskantschrauben mit einem 4-mm-Innensechskantschlüssel.

## 3. MESSER ENTFERNEN

Halten Sie das Messer an beiden Enden fest und heben Sie es vorsichtig aus seiner Aufnahme heraus.

## 4. MESSER EINBAUEN

Halten Sie das Messer an beiden Enden fest und setzen Sie es vorsichtig in die Messeraufnahme im Kopf ein. Die flache Seite des Messers muss auf den Tisch weisen. Achten Sie darauf, dass das Messer ganz eingesetzt wurde und sich keine Verunreinigungen in der Aufnahme befinden.

## 5. MESSER FEST ANSCHRAUBEN

Drehen Sie die Schrauben mit einem 4-mm-Innensechskantschlüssel wieder ein und ziehen Sie sie fest. Beginnen Sie mit der mittleren Schraube.

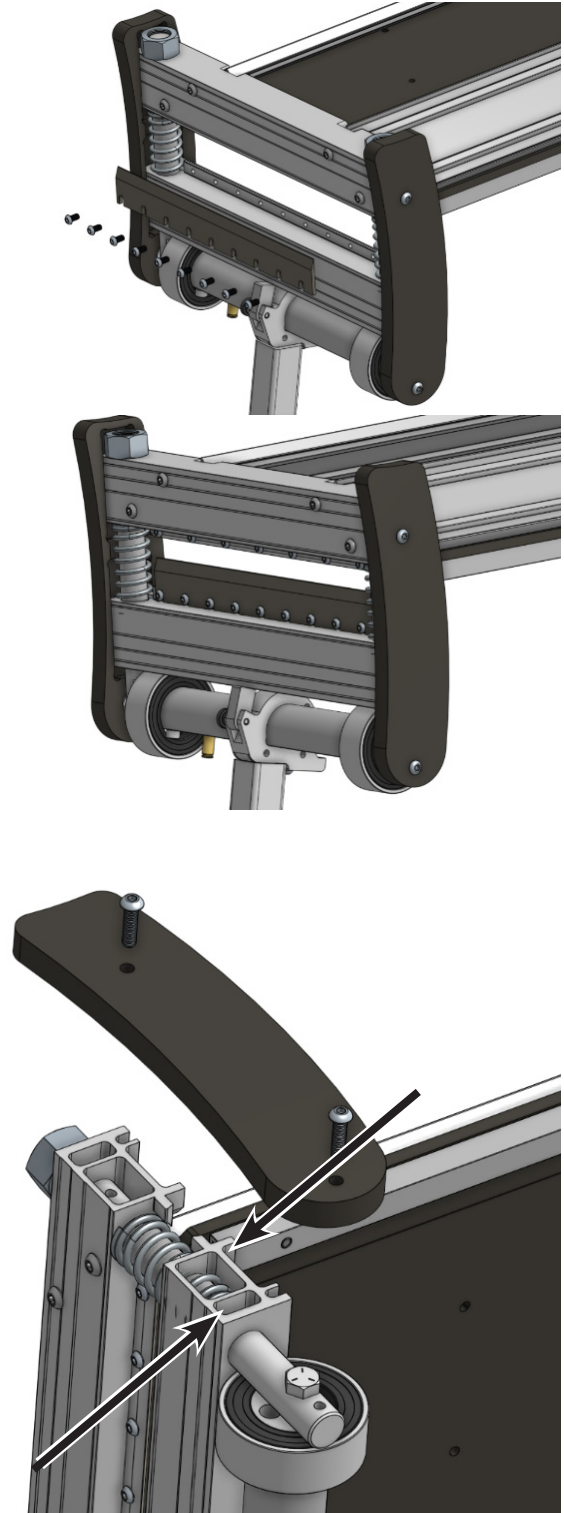
## SCHMIERUNG

Ihr Hebelschneider mit Magnum-Messerschneide wurde unter den Endkappen mit Fett vorgeschmiert. Schmieren Sie ihn nach jeweils 2 Gebrauchsjahren bzw. immer dann, wenn der Hebelschneider zu quietschen beginnt.

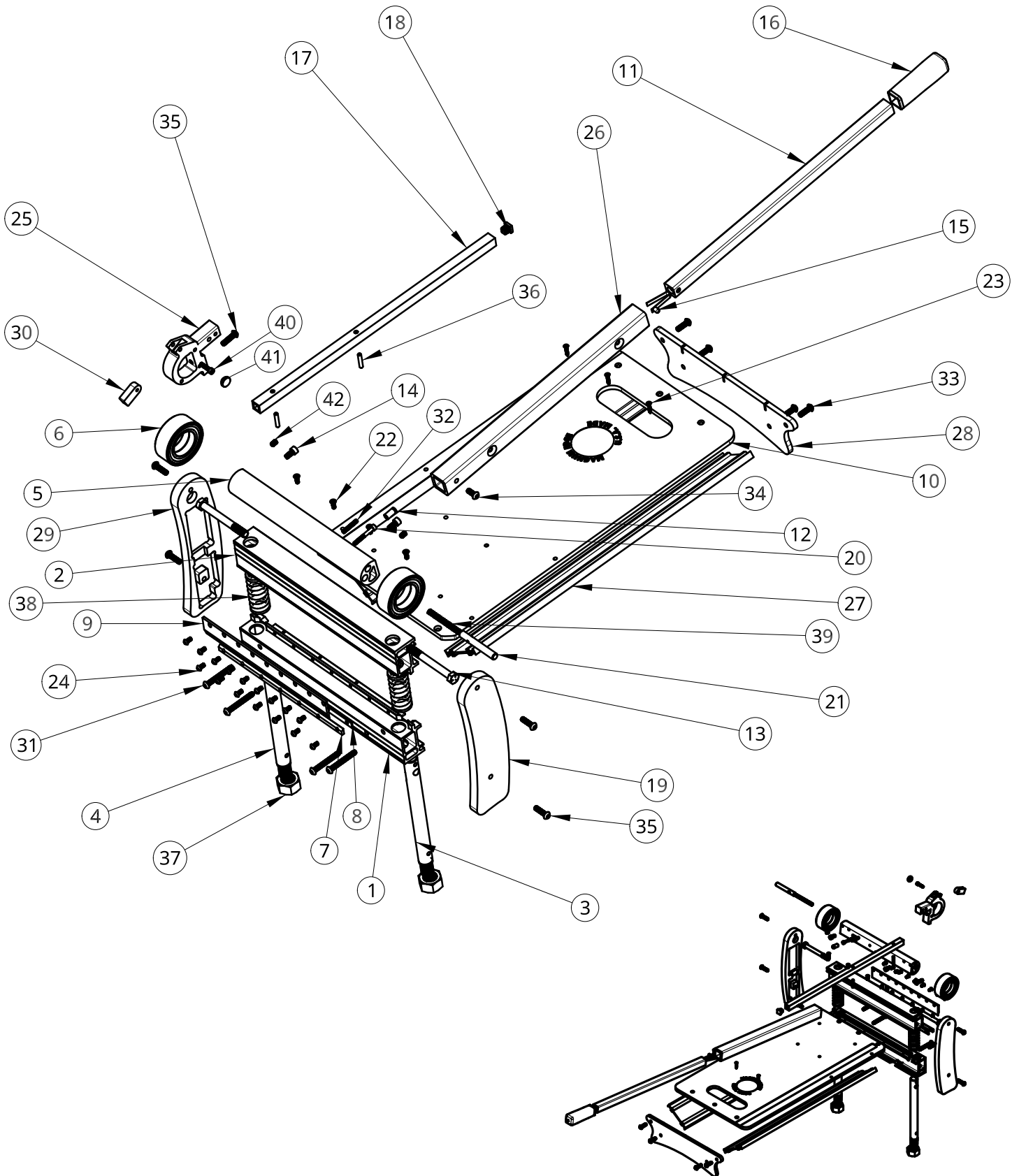
- Verriegeln Sie den Handgriff.
- Legen Sie Ihren Hebelschneider mit Magnum-Messerschneide auf die Seite.
- Entfernen Sie die Endkappe, indem Sie die beiden Halbrundkopfschrauben mit einem 5-mm-Inbusschlüssel abschrauben.
- Füllen Sie den Schmierfett-Hohlraum mit Fett.
- Bringen Sie die Endkappe wieder an.
- Führen Sie dasselbe Verfahren auf der anderen Seite aus.

## MESSERANSCHLAG

Der Messeranschlag kann sich mit der Zeit abnutzen. Sie können ihn länger verwenden, wenn Sie die Schneidbacke entfernen und den Anschlag umdrehen. Ersatzanschläge sind von Ihrem Händler erhältlich.



# TEILEAUFSCHLÜSSELUNG





## TEILEAUFSCHLÜSSELUNG

NR.	BESCHREIBUNG	EDI	BESTELL-NR.	ANZ.
1	MAGNUM 1913 SOCKEL	R7089	CON-BSE-1913	1
2	MAGNUM 1913 KOPFTEIL	R7216	CON-HED-1913	1
3	STIFT, MAGNUM 1900-SERIE (LINKS)	R7240	CON-PIN-190L	1
4	STIFT, MAGNUM 1900-SERIE (RECHTS)	R7241	CON-PIN-190R	1
5	MAGNUM 1913 NOCKENWELLE	R7127	CON-CAM-1913	1
6	LAGERBAUGRUPPE, POWERCAM (ST-865BB)	R7529	SUB-BNG-PCAM	2
7	ES00-EX13 SCHNEIDBACKE	R7023	CON-ANV-EX13	1
8	ES00-EX13 MESSERANSCHLAG	R7120	CON-BST-EX13	1
9	13" MAGNUM-MESSER FÜR BODENBELÄGE	WX2599	RAW-BDE-913B	1
10	MAGNUM 1913 TISCH	R7333	CON-TBL-1913	1
11	OBERER GRIFF, MAGNUM-SERIE	R7207	CON-HAN-U900	1
12	VERBRAUCHTE HÜLSE, 0,40 S&W	WX2532	GEN-BUL-LET4	1
13	PLATTIERTER ACHSSTIFT, 9XX, ½ X 4,5, SECHSKANTKOPF, GÜTEKLASSE 5 (125/KARTON) (H5CI 12.412)	WR1508	FAS-BLT-9037	2
14	M8 X 16 INNENSECHSKANT-KOPFSCHRAUBE 12,9 (100/KARTON) NOCKE (MET. SC8.16H)	WR1611	FAS-SCW-9040	2
15	FEDERTASTE, HAARNADEL, ⅝ (847- 16)	WR1630	GEN-SPR-0847	1
16	HANDGRIFF (1 X 1 X 5 X ⅝")	WK232	GEN-HAN-0868	1
17	UNIVERSELLES FÜHRUNGSLINEAL	R7184	CON-FNC-9000	1
18	ENDKAPPE, ⅝" QUADRATISCH, LDPE, SCHWARZ	WL795	GEN-CAP-850E	1
19	LINKE ENDKAPPE, MAGNUM 1900-SERIE	R7173	CON-END-190L	1
20	INNENSECHSKANT-KOPFSCHRAUBE M6 X 45MM (SC6.45H) „CRUISER“ (100/KARTON)	WR1506	FAS-BLT-9010	1
21	CAMLOCK-STIFT, MAGNUM-SERIE	R7154	CON-CML-D900	1
22	KREUZSCHLITZ-SENKKOPFSCHRAUBE, M6 X 16, VERZINKT	WR1604	FAS-SCW-8569	4
23	NR. 10 X 1 KREUZSCHLITZ-SENKKOPFBLECHSCHRAUBE	WR1556	FAS-SCW-0010	3
24	M6 X 12 SENKSCHEIBE MIT INNENSECHSKANT VERZINKT	WR1585	FAS-SCW-5612	16
25	GRIFFNASE, MAGNUM 1900-SERIE	R7296	CON-STB-1900	1
26	UNTERER GRIFF, MAGNUM 1900-SERIE	R7191	CON-HAN-190L	1
27	SCHIENE, MAGNUM 1900-SERIE	WC1138	CON-RAL-1900	2
28	MAGNUM 1913-SEITENPLATTE	R7310	CON-TAL-1913	1
29	RECHTE ENDKAPPE, MAGNUM 1900-SERIE	R7174	CON-END-190R	1
30	HINTERER ANSCHLAG, MAGNUM EDGE-SERIE	R7107	CON-BSS-19BS	1
31	⅝"-18 X 2½ TORX-FLACHKOPFGEWINDESCHRAUBE	WR1597	FAS-SCW-7525	4
32	STELLSCHRAUBE M6 X 35 MM, RINGSCHNEIDE (MET. SS6.35)	WR1610	FAS-SCW-9035	1
33	⅝"-18 X 1 TORX-FLACHKOPFGEWINDESCHRAUBE	WR1596	FAS-SCW-7510	4
34	M8-1,25 X 20 SENKSCHEIBE MIT INNENSECHSKANT VERZINKT	WR1587	FAS-SCW-5821	1



## TEILEAUFSCHLÜSSELUNG (FORTSETZUNG)

NR.	BESCHREIBUNG	EDI	BESTELL-NR.	ANZ.
35	M8-1,25 X 30 SENKSCHRAUBE MIT INNENSECHSKANT VERZINKT (MCMaster 92095A290)	WR1588	FAS-SCW-5830	5
36	PASSSTIFT, ¼" X 1¼" 100/KARTON (S DP14.114)	WR1541	FAS-PIN-0881	2
37	1-14 MUTTER	WR1524	FAS-NUT-1014	2
38	FEDER, 1,046 ID X 3,5 L	WR1631	GEN-SPR-0859	2
39	FEDER, ⅜ X 3½", CAM-LOCK	WR1640	GEN-SPR-D000	1
40	INNENSECHSKANT-KOPFSCHRAUBE M6 X 25, VERZINKT (MC#90128A265)	WR1737	FAS-SCW-EZ04	1
41	M6 GERÄNDELTER DRUCKKNOPF FÜR INNENSECHSKANT-KOPFSCHRAUBE, SCHWARZ SHEARLOC-NR. 83-98-931B, MCMaster 71175A064	WL814	GEN-KNB-931B	1
42	STELLSCHRAUBE M8 X 12 – MIT RINGSCHNEIDE (100/KARTON) ACHSSCHRAUBE (MET. SS8.12)	WR1612	FAS-SCW-9041	2

## ERSATZTEILE

ERSATZTEIL EDI	ERSATZTEIL-BESTELL-NR.	BESCHREIBUNG	EINSCHL. EINZEL-NR
29927	913B	13" MAGNUM-MESSER FÜR BODENBELÄGE	9
29860	847-RP	HANDGRIFF-ERSATZFEDERSTIFT, ⅝" 1-SEITIG	15
29766	854-RP-1113	SCHNEIDBACKENERSATZ, 13" X ½" FÜR MARKSMAN- UND MAGNUM-MESSERSCHNEIDE	7
29768	869-RP-1113	ERSATZ-MESSERANSCHLAG, 13" X ½" FÜR MARKSMAN- UND MAGNUM-MESSERSCHNEIDE 13"	8
29907	868-RP-MAG	ERSATZHANDGRIFF, 1" QUADR. X 5"	16
29871	856-RP-I	ERSATZ-FÜHRUNGSLINEAL, EDGE, 220-SID, I-SERIE MAGNUM	17,18,36
29883	858-RP-U900	ERSATZGRIFF NUR OBEN (EDGE 13 U. I-SERIE MAGNUM)	11,15,16
29905	856UPG-RP	ERSATZLAGERSATZ, 2 ST., PC-KUGELLAGER MIT HÜLSEN	6
29763	860-MAG-RP	½" CAMLOCK-STIFT-ERSATZ	21
WR1585	FAS-SCW-5216	M6-1,0 X 12 SENKSCHRAUBE MIT INNENSECHSKANT VERZINKT	24

Ersatzteile sind jetzt auf [www.marshalltown.com](http://www.marshalltown.com) erhältlich. Suchen Sie nach der oben angegebenen Ersatzteil-EDI.

## FEHLERSUCHE UND -BEHEBUNG

### **Vor dem Ergreifen von Fehlersuchmaßnahmen in der Anleitung nachschlagen:**

- Haben Sie Ihren Hebelschneider richtig zusammengebaut?
- Wird er richtig bedient?
- Wurde er ordnungsgemäß geschmiert?
- Wurde das Messer wie empfohlen geschmiert?

### **Eine visuelle Inspektion des Hebelschneiders durchführen und auf Objekte achten, die den Fahrweg des Messers oder Schneidkopfes blockieren könnten:**

- Fremdkörper zwischen Messer und Schneidbacke, in den Federstiften oder unter der Nockenwelle.
- Überprüfen Sie das Messer auf Scharten, Sprünge und Risse.
- Stellen Sie sicher, dass die Lager intakt und geschmiert sind. Sie sollten sich beim Gebrauch auf der Nockenwelle nicht drehen bzw. bewegen.

*HINWEIS: Diese Fehlersuchanleitung bezieht sich auf alle Bullet-Hebelschneider. Wenn Sie sich nicht sicher sind, ob bestimmte Fehlersuchhinweise auf Ihren Hebelschneider zutreffen, wenden Sie sich bitte an den Marshalltown-Kundendienst.*

<b>PROBLEM</b>	<b>ERSTE PRÜFUNG</b>	<b>ZWEITE PRÜFUNG</b>	<b>DRITTE PRÜFUNG</b>	<b>VIERTE PRÜFUNG</b>
Schwierigkeiten beim Schneiden	Sicherstellen, dass das Cam-Lock entriegelt ist. Falls vorhanden, die Schneidnocken aktivieren (Modell 226)	Sicherstellen, dass der Griff GANZ ausgefahren ist.	Messer auf Schärfe/ Zustand überprüfen.	Lager/Stifte inspizieren und schmieren.
Schneidgut wird nicht vollständig durchgeschnitten.	Stifte auf längliche/ ausgeschlagene Öffnung inspizieren.	Vorderen Hubanschlag einstellen (MAGNUM-Hebelschneider).	Lager auf Verschleiß/ Spiel überprüfen.	Sicherstellen, dass sich das Messer in der korrekten Nennhöhe befindet.
Messer bleibt nach Ausführung des Schnitts stecken.	Messeranschläge überprüfen/ausbauen und bei Beschädigung auswechseln.	Sicherstellen, dass die Messerschrauben fest angezogen sind.	Schneidbacke entfernen, umdrehen, wieder einbauen.	Schneidbacke auf Markierungen überprüfen (Überbiss).
Grobe oder stumpfe Schnitte	Furnierdicke überprüfen (max. 1,5 mm)	Messorzustand überprüfen (Scharten, Ungleichmäßigkeiten)	Sicherstellen, dass das Messer gehont wurde und scharf ist.	Liste des genehmigten Schneidguts lesen.
Schnitte verlaufen nicht rechtwinklig.	Schrauben des Führungslineals lockern, Lineal ausrichten, wieder anziehen.	Stifte auf ungleichmäßige Abnutzung überprüfen.	Messer und Schneidbacke/ Messeranschlag auf Kontakt überprüfen.	
Griff kehrt nicht in offene Stellung zurück.	Sicherstellen, dass die Stifte geschmiert sind.	Schmierfett auf Kontaktbereich des Lagers auftragen.	Achsschrauben schmieren.	Federn auf Brüche überprüfen.
Schneidgut passt nicht in den Schneidbereich.	Max. Dicke des Schneidguts für den Hebelschneider nachsehen.	Hinteren Hubanschlag umkehren.	Sicherstellen, dass sich das Messer in der korrekten Nennhöhe befindet.	Bei Vorhandensein von zwei Lagern zwischen dem jeweils aktiven Lager wechseln.
Cam-Lock-Stift verbogen/steckt fest.	Hebelschneider nicht am Griff anheben oder tragen.	Griff langsam in offene Stellung zurückstellen – nicht zurückschnellen lassen.	Cam-Lock-Stift VOR dem Schneiden lösen.	
Scharten im Messer	Gemäß Anleitung honen (~25 Schnitte, dann täglich).	Kein faseriges Bambusholz schneiden.	Keine Hochdrucklaminat schneiden.	Furnierdicke überprüfen (max. 1,5 mm)
Stiftöffnungen sind am Durchgangspunkt der Nockenachse ausgestoßen/ länglich.	Hebelschneider nicht am Griff anheben oder tragen.	Griff langsam in offene Stellung zurückstellen – nicht zurückschnellen lassen.	Furnierdicke überprüfen (max. 1,5 mm)	Liste des genehmigten Schneidguts lesen.
Schneidgut wird nicht bis zur Kante geschnitten.	Ausrichtung des Führungslineals überprüfen und ggf. einstellen.	Schneidgut nicht über die Messerschneide hinaus „abwinkeln“.	Sicherstellen, dass Winkellineale so eingebaut sind, dass die BREITE Kante nach innen weist (Modell 620).	

# **BULLET**

B Y M A R S H A L L T O W N ®

104 S. 8th Ave., Marshalltown, Iowa  
Tel.: +1 800-888-0127 / +1 641-753-0127  
Fax: +1 800-477-6341 / +1 641-753-6341  
[www.MARSHALLTOWN.com](http://www.MARSHALLTOWN.com)  
WS2637revA