



13" ULTRA-LITE FLOORING CUTTER

Part# LWFS13 | EDI# 29305



104 S. 8th Ave. | Marshalltown, IA
Phone 800-888-0127 / 641-753-0127 | Fax 800-477-6341 / 641-753-6341
www.MARSHALLTOWN.com
WS2690revB

INTRODUCTION

Congratulations on your purchase of a MARSHALLTOWN Flooring Cutter. Proudly made in the USA, MARSHALLTOWN flooring cutters are heavy duty and manufactured with the highest-grade materials. MARSHALLTOWN cutters are designed with the flooring professional in mind to ensure accuracy and reliability.

Other features of your MARSHALLTOWN flooring cutter include:

- Easy, quiet one-cut action
- Ability to cut inside and produce no dust
- Cut material up to 13" (330mm) wide and 12mm thick
- Moveable fence for 90° and 45° cuts

This owner's manual provides the information needed to operate and maintain this MARSHALLTOWN flooring cutter. Carefully read and follow all safety and operating instructions in this manual. Ensure every operator of this flooring cutter reads this manual before operating the unit. The replacement of any part on this flooring cutter by other than the manufacturer's authorized replacement part may adversely affect the performance, durability or safety of the product.

Be sure safety precautions are observed. Read and follow all safety and operating instructions in this operator's manual. The manufacturer reserves the right to make changes on or add improvements to its product at any time without prior notice or obligation. The manufacturer reserves the right to decide, upon its sole discretion and at any time, to discontinue this product.

This manual covers the MARSHALLTOWN 13" Ultra-Lite Flooring Cutter. For technical questions or repair parts, please call MARSHALLTOWN customer service at 1-800-888-0127 or visit www.MARSHALLTOWN.com.

TABLE OF CONTENTS

Safety Precautions.....	3
Safety Decals	4
Warranty.....	4
Assembly	5
Product Operation	7
Cutting Guide	7
Parts Breakdown	8-9
Maintenance	10
Trouble Shooting.....	11

SAFETY PRECAUTIONS



- DANGER or WARNING safety signs are located near specific hazards.
- General precautions are listed on CAUTION safety signs.

- This notation appears before warnings in the text. It means that the step that follows must be carried out to avoid the possibility of personal injury or death. These warnings are intended to help the technician avoid any potential hazards encountered in the normal service procedures. We strongly recommend that the reader takes advantage of the information provided to prevent personal injury or injury to others.

THE FOLLOWING PRECAUTIONS ARE SUGGESTED TO HELP PREVENT ACCIDENTS. A CAREFUL OPERATOR IS THE BEST OPERATOR. MOST ACCIDENTS CAN BE AVOIDED BY OBSERVING CERTAIN PRECAUTIONS. READ AND TAKE THE FOLLOWING PRECAUTIONS BEFORE OPERATING THIS EQUIPMENT TO HELP PREVENT ACCIDENTS. EQUIPMENT SHOULD BE OPERATED ONLY BY THOSE WHO ARE RESPONSIBLE AND INSTRUCTED TO DO SO.



CALIFORNIA PROPOSITION 65 WARNING: This product can expose you to chemicals known to the State of California to cause cancer, birth defects, or other reproductive harm.

- Read all operating and maintenance instructions before operating or servicing the flooring cutter.
- A flooring cutter is only as safe as its operator. Give complete and undivided attention to the operation of the flooring cutter.
- Know how to stop the flooring cutter instantly.



NEVER operate the flooring cutter if any cutter components have been removed.

- Keep inexperienced and unauthorized people away from the flooring cutter at all times.
- Keep the flooring cutter in good operational condition. Loose or damaged parts are dangerous.
- Avoid loose clothing that could get caught in moving parts.



Keep hands and feet away from moving parts.

- Keep all warning, caution and safety instruction labels in good condition. Replace missing, damaged or illegible labels.
- Clear the work area around the cutter to prevent tripping or falling onto the cutter.
- Operate on level ground to prevent the flooring cutter from flipping over.
- DO NOT OPERATE this flooring cutter under the influence of alcohol or while taking medication that impairs your reactions.
- Use only factory authorized parts for replacement.
- Wear safety glasses when operating the flooring cutter.
- Always use caution when replacing the cutter blade.
- Only operate the cutter with the approved materials. If extreme force is required to cut a material, it may result in personal injury and/or damage to the flooring cutter.
- Wear proper protective clothing while operating flooring cutter, including eye, ear, and clothing.
- Handle all solvents and cleaning agents with care and follow manufacturer's instructions on safety and disposal.

SAFETY DECALS

If your safety decals are damaged, they can be replaced by contacting Customer Service.



WS2020



WS2021

WARRANTY

This product is warranted to the original purchaser only, to be free of defects in material and workmanship under normal use, for one year from purchase date. MARSHALLTOWN shall without charge for parts and labor, repair or replace such parts which are found to be defective. All transportation charges for replacement parts must be borne by the purchaser.

For warranty service, the product must be delivered, with proof of purchase date, to MARSHALLTOWN. Contact MARSHALLTOWN Customer Service to determine the best method of delivering the product that is under warranty. The delivery of the product must be made no later than 30 days after the expiration of the warranty period.

All implied warranties, including those of merchantability and fitness for a particular purpose, are limited to one year from date of purchase by the original retail customer and to the extent permitted by law any and all implied warranties are excluded and disclaimed after the expiration of such period.

Some states do not allow limitations on how long an implied warranty lasts, or the exclusion or limitations of incidental or consequential damages, so the above limitations or exclusions may not apply to you. This warranty gives you specific legal rights, and you may also have other rights, which vary from state to state.

Exclusion from this warranty:

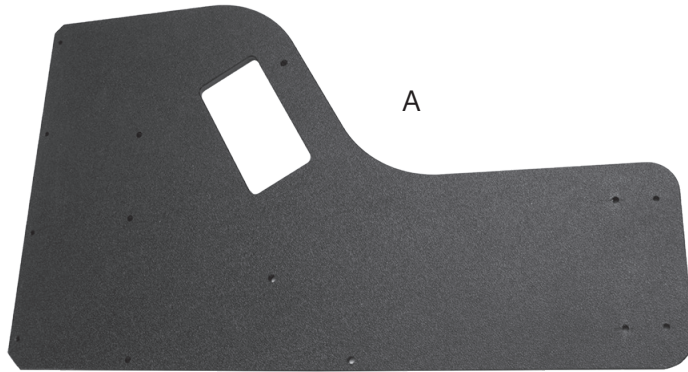
1. All consequential damages, including pickup and delivery of the unit, communication, mileage charges and/or rental of a replacement unit during repairs are not covered under this warranty, or are any loss of income and/or other loss resulting from the failure of the product to function due to a warranty defect.
2. This warranty will not apply when the product becomes inoperative due to misuse, normal wear, neglect, improper maintenance, accident or freight damage; has not been operated and maintained in accordance with the instructions furnished in the Operator's Manual; or has been altered or modified without approval from the factory Service Department.
3. No parts or products are to be returned to the factory without prior written approval from the factory.

ASSEMBLY

1. Lay out all of the parts.

Tools for Assembly:

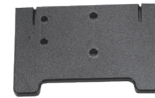
- #2 Phillips Screwdriver (not included)
- $\frac{5}{32}$ " Hex Wrench (included)
- $\frac{7}{32}$ " Hex Wrench (included)



A



F



B



C



D



E

- A. Bed
- B. Leg
- C. Bed Brace
- D. Handle
- E. Bed Fence
- F. Cutter Assembly

2. Lay out all hardware.



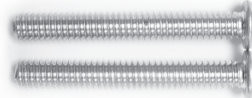
G



H



I



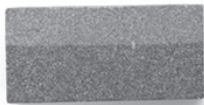
K



J



L

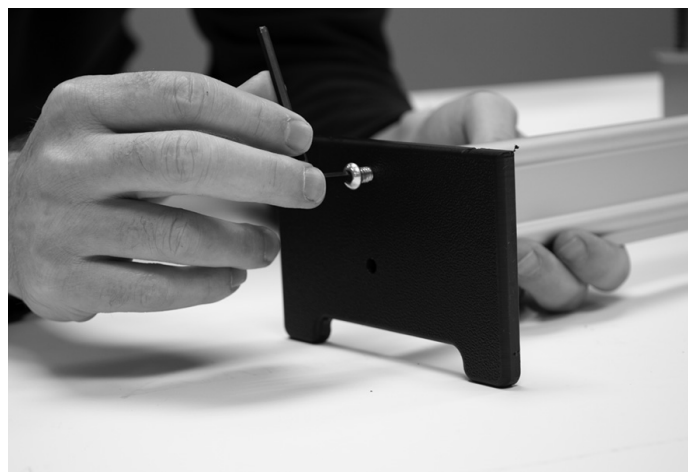


M

- G. Cam Locking Pin (1x)
- H. #2 Phillips Drive, Flat Head Screw, 10-24 X $\frac{3}{4}$ " (4x)
- I. #2 Phillips Drive, #10 Flat Head Screw, 1" Long (2x)
- J. $\frac{5}{32}$ " Hex Drive, Button Head Screw, $\frac{1}{4}$ "-20 X 1" (2x)
- K. $\frac{5}{32}$ " Hex Drive, Button Head Screw, $\frac{1}{4}$ "-20 X 2" (2x)
- L. $\frac{7}{32}$ " Hex Drive Button Head Screw, $\frac{3}{8}$ "-16 X $1\frac{1}{4}$ " (2x)
- M. Honing Stone (1x)



3. Attach the Bed Brace (C) and Cutter Assembly (F) using Hardware Set (K).



4. Attach the Leg (B) to the other side of the Bed Brace (C) using Hardware Set (J).



5. Attach the Bed (A) to the Cutter Assembly (F) using Hardware Set (I) for the back and Hardware Set (H) for the front.



6. Rotate the Handle Base on the top of the Cutter Assembly (F) and insert the Locking Pin (G) into the side.



7. Attach Handle (D) to the Handle Base using Hardware Set (L).



8. Place the Bed Fence (E) into the holes on the right side of the Bed (A).

PRODUCT OPERATION

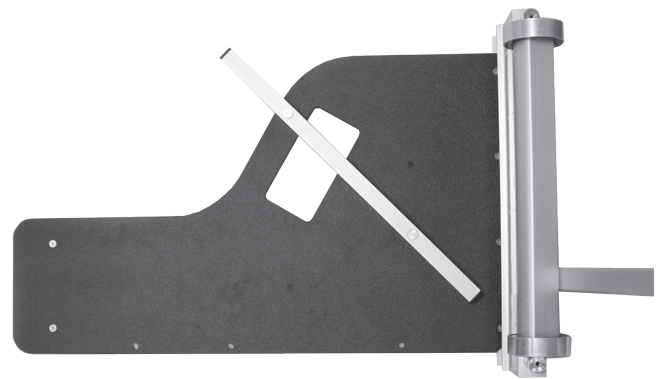
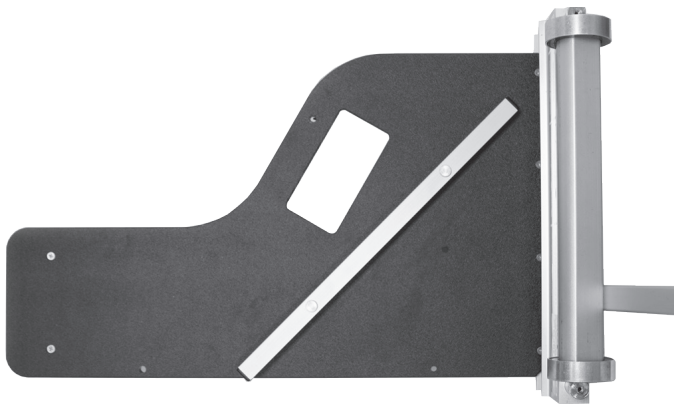


1. Press down handle and carefully remove the Cam Locking Pin. Carefully raise and release the handle.

2. Place material to be cut on the table with the finished side up and slide past the blade to the desired length. Press flooring against the Bed Fence and hold firmly in place to ensure a clean and accurate cut. Press handle down until the blade touches the material and then firmly press down on the handle until the material is cut.

45 DEGREE CUTS

1. Remove the Bed Fence by pulling firmly up. Insert the fence into either of the angled holes for the desired cut.



DOUBLE CUTTING

Some materials may require the double cutting method to obtain a clean cut. For these materials, make your first cut $\frac{1}{4}$ " longer than your mark. Then, make a second cut on your mark. This method will help produce cleaner cuts on some materials.

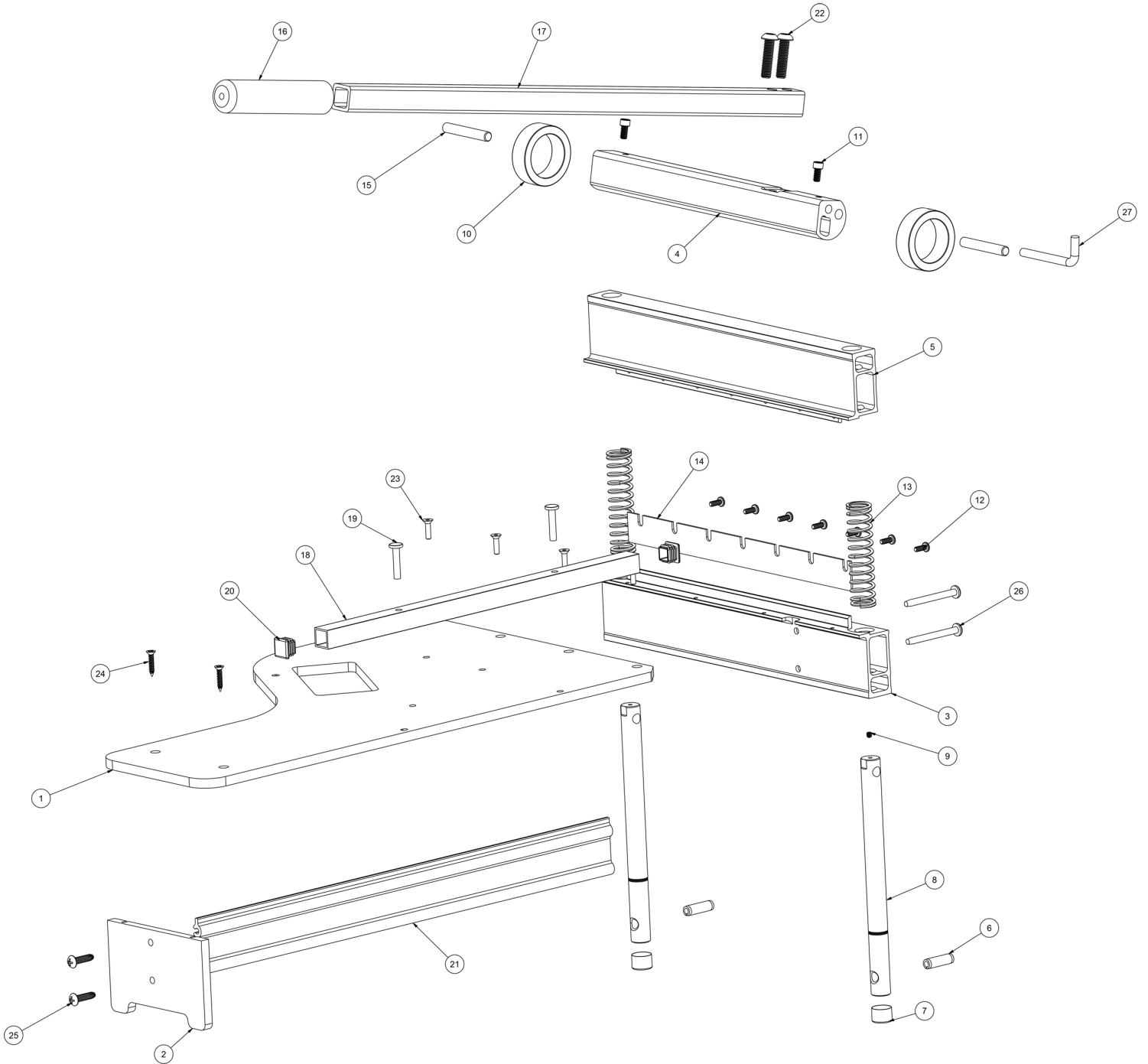
CUTTING GUIDE

The MARSHALLTOWN Flooring Cutter is designed to cut a variety of materials. Some of the most common materials are laminate flooring, engineered hardwood, luxury vinyl tile, luxury vinyl plank, vinyl composite tile, fiber cement board siding, and more.

Note: DO NOT attempt to cut any solid wood, high pressure laminate, engineered hardwood with a Janka Hardness Rating higher than 1200 or a rating higher than AC4.

Note: Even the approved materials may vary greatly in density and hardness. If extreme force is required to cut a material stop immediately, as it could lead to damage to your cutter or injury. Attempting to cut unapproved materials will void the warranty.

PARTS BREAKDOWN



PARTS BREAKDOWN

REF #	DESCRIPTION	PART#	Quantity
1	BED - LIGHT WEIGHT CUTTER, 13"	R4588	1
2	LEG - LIGHT WEIGHT CUTTER, 13"	R4592	1
3	ANVIL BEAM - LIGHT WEIGHT CUTTER, 13"	R5870	1
4	CAM BAR - LIGHT WEIGHT CUTTER, 13"	R5872	1
5	BLADE BEAM - LIGHT WEIGHT CUTTER, 13"	R5871	1
6	SPRING PIN, ZN PL SLOTTED, 0.375 DIA X 1¼" LONG	WR1379	2
7	¾" ROUND END CAP	WL793	2
8	GUIDE ROD - LIGHT WEIGHT CUTTER, 13"	WU913	2
9	SET SCREW - 10-24 UNC, ¾" LONG	WR1377	2
10	BEARING ASSEMBLY - LWFS13	R7363	2
11	SHCS, ¼-20 X ½"	WR1427	2
12	PPH MACHINE SCREW, 10-24 X ½" Z	WR1158	7
13	SPRING - COMPRESSION - 0.970" OD x 4" LONG, 14lbs./in.	WR1634	2
14	CUTTER BLADE - LIGHT WEIGHT CUTTER, 13"	LWFS13B	1
15	CAM PIN-ZINC PLATED	WU905	2
16	1½" HANDLE GRIP (GRIP WORKS PART #133456)	WT507	1
17	HANDLE - LIGHT WEIGHT CUTTER, 13"	R5869	1
18	FENCE - LIGHT WEIGHT CUTTER, 13"	R4589-010	1
19	¼ x 1¼ AL FLAT HEAD SOLID RIVET	WR1553	2
20	SQUARE PLASTIC CAP	WL710	2
21	BED BRACE - LIGHT WEIGHT CUTTER, 13"	WC947	1
22	BHCS ¾-16 X 1¼" LONG, ZINC PLATED	WR1443	2
23	FHCS, 10-24 UNC, ¾" LONG	WR1384	4
24	#10 FLAT HEAD PHILLIPS SCREW - 1" LONG	WR1381	2
25	BHCS ¼ - 20 X 1"	WR1490	2
26	BHCS ¼ - 20 X 2"	WR1491	2
27	CAM LOCK-ZINC PLATED	WU904	1

REPLACEMENT PARTS

REF #	DESCRIPTION	EDI	PART #
2	HANDLE - FS13	R4529	R4529
10	BEARING ASSEMBLY - LWFS213	R7363	R7363
21	EXTRUSION-BED BRACE - FS13	WC947	WC947
12	PPH MACHINE SCREW, 10-24 X 1/2" Z	WR1158	WR1158
9	SET SCREW 10-24 UNC, 0.1875" LONG	WR1377	WR1377
23	FHCS 10-24 UNC, 0.75" LONG	WR1384	WR1384
15	CAM PIN-FS13-ZINC PLATED	WU905	WU905


MAINTENANCE

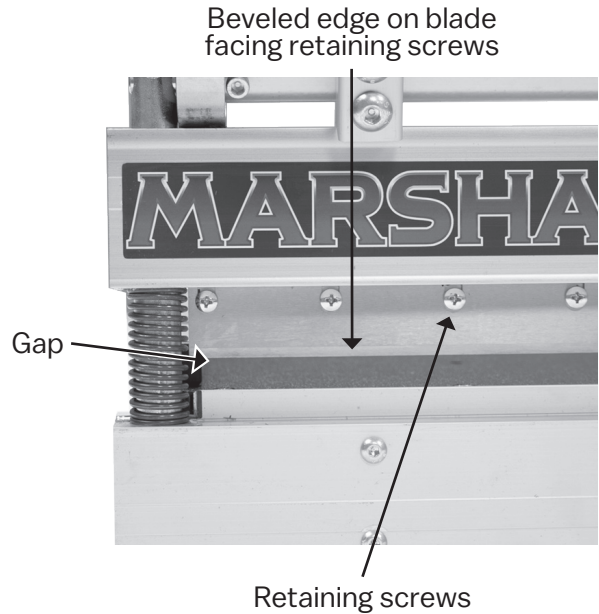
Honing the Blade

Push the handle down until the blade is $\frac{1}{8}$ " (3mm) above the tabletop. Place the provided Honing Stone (M) against the flat side of the blade. Slide the honing stone from one end of the blade to the other 3-4 times. This will remove any burrs from your blade and should be done every 100 cuts. Use caution when honing the blade. The blade is sharp and can easily cause injury. Cut-resistant gloves are recommended when honing the blade.



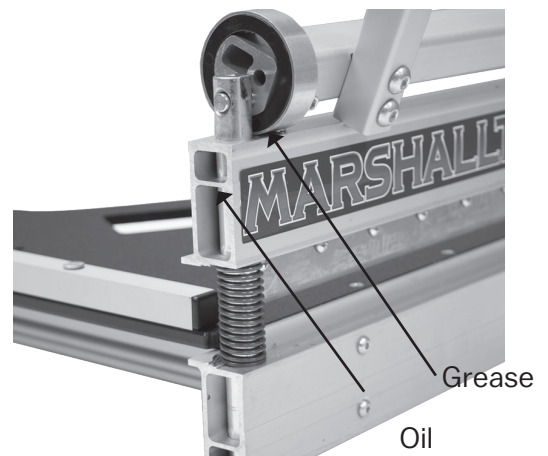
Replacing the Blade

 Use cut-resistant gloves when replacing the blade. Cover the cutting edge with a blade guard or other suitable covering. Place the cutter upside down on a workbench with the jaws in the open position, creating a gap to allow blade removal. To remove the blade use a #2 Phillips screwdriver and loosen the 7 retaining screws one full turn counterclockwise. When the last screw is loosened, the blade will slip out. Remove the screws if the blade does not slip out easily. Cover the cutting edge of the new blade with a blade guard or other suitable covering. Slide the new blade into position with the beveled edge facing the screws. Center the blade and make sure the blade is fully inserted. Hand-tighten the center screw. Hand-tighten the remaining screws to complete the installation.



Lubrication

After every 100 cuts, it is recommended that the cutter be lubricated. Use a light oil and grease (wheel bearing grease) and apply according to the image below. Lubricating the cutter will extend the life of the cutter and result in easier cutting.



TROUBLESHOOTING

ISSUE	RESOLUTION
Cutter won't cut desired material	Review cutting guide in manual to confirm it is a confirmed material. Contact MARSHALLTOWN customer service. Do not attempt to use extreme force to cut the material.
Cutter is leaving a jagged edge on flooring	Use honing stone to carefully touch up the blade as described in the manual. Use double cutting method as described in the manual if necessary.
Cutter requires more force to cut than normal	Use honing stone to carefully touch up the blade as described in the manual. Follow the maintenance section of the manual to oil and grease the cutter.



104 S. 8th Ave., Marshalltown, IA
Phone 800-888-0127 / 641-753-0127
Fax 800-477-6341 / 641-753-6341
www.MARSHALLTOWN.com
WS2690revB



CORTADORA DE PISOS ULTRALIGERA DE 13"

N.º de pieza LWFS13 | EDI #29305



104 S. 8th Ave. | Marshalltown, IA
Teléfono 800-888-0127 / 641-753-0127 | Fax 800-477-6341 / 641-753-6341
www.MARSHALLTOWN.com
WS2690revB

INTRODUCCIÓN

Felicidades por su compra de una cortadora de pisos MARSHALLTOWN. Orgullosamente hechas en EE.UU., las cortadoras de pisos MARSHALLTOWN son de uso rudo y están fabricadas con los materiales de la más alta calidad. Las cortadoras de MARSHALLTOWN se diseñaron teniendo en mente al instalador de pisos para asegurar la exactitud y confiabilidad.

Otras características de la cortadora de pisos MARSHALLTOWN incluyen:

- Acción sencilla y silenciosa de un solo corte
- Tiene capacidad de cortar en interiores sin generar polvo
- Corta material de hasta 13" (330 mm) de ancho y 12 mm de espesor
- Soporte guía móvil para cortes de 90° y 45°

Este manual del propietario proporciona la información necesaria para la operación y el mantenimiento de esta cortadora de pisos MARSHALLTOWN. Lea detenidamente y siga todas las instrucciones de operación y seguridad que se encuentran en este manual. Asegúrese de que todos los operadores de esta cortadora de pisos lean este manual antes de utilizar la unidad. El reemplazo de cualquier pieza de esta cortadora de pisos por una pieza de repuesto de cualquier otro fabricante puede afectar negativamente el desempeño, durabilidad o seguridad del producto.

Asegúrese de seguir las precauciones de seguridad. Lea y siga todas las instrucciones de operación y seguridad que se encuentran en este manual del operador. El fabricante se reserva el derecho de hacer cambios o añadir mejoras a su producto en cualquier momento y sin previo aviso u obligación. El fabricante se reserva el derecho a decidir, a su entera discreción y en cualquier momento, descontinuar este producto.

Este manual abarca la cortadora de pisos ultraligera de 13" MARSHALLTOWN. Para preguntas técnicas o piezas de repuesto, llame a servicio al cliente de MARSHALLTOWN al 1-800-888-0127 o visite www.MARSHALLTOWN.com.


CONTENIDO

Precauciones de seguridad	3
Calcomanías de seguridad	4
Garantía	4
Montaje.....	5
Operación del producto.....	7
Guía de corte	7
Descripción de las piezas	8-9
Mantenimiento	10
Diagnóstico y corrección de fallas.....	11



PRECAUCIONES DE SEGURIDAD

- Los letreros de seguridad PELIGRO  o ADVERTENCIA  se encuentran ubicados cerca de riesgos específicos.

- Las medidas de seguridad generales se enumeran en los letreros de seguridad de PRECAUCIÓN .

- Esta nota aparece antes de las advertencias en el texto. Esto significa que el paso que sigue debe llevarse a cabo para evitar la posibilidad de una lesión personal o la muerte. Estas advertencias pretenden ayudar al técnico a evitar cualquier riesgo potencial que se encuentre en los procedimientos de servicio normales. Recomendamos enfáticamente que el lector aproveche la información proporcionada para prevenir lesiones personales o lesiones a otros.

LAS SIGUIENTES PRECAUCIONES SE SUGIEREN PARA AYUDAR A PREVENIR ACCIDENTES. UN OPERADOR CUIDADOSO ES EL MEJOR OPERADOR. LA MAYORÍA DE LOS ACCIDENTES PUEDEN EVITARSE SIGUIENDO CIERTAS PRECAUCIONES. LEA Y TOME LAS SIGUIENTES PRECAUCIONES ANTES DE OPERAR ESTE EQUIPO A FIN DE AYUDAR A PREVENIR ACCIDENTES. EL EQUIPO DEBE SER OPERADO SOLO POR LAS PERSONAS QUE SON RESPONSABLES E INSTRUIDAS PARA HACERLO.



ADVERTENCIA DE LA PROPUESTA 65 DE CALIFORNIA: Este producto puede exponerlo a químicos que en el estado de California se conocen como causantes de cáncer, defectos de nacimiento u otros daños reproductivos.

- Lea todas las instrucciones de operación y mantenimiento antes de operar o dar servicio a la cortadora de pisos.
- Una cortadora de pisos es segura siempre que el operador la utilice con precaución. Preste completa atención a la operación de la cortadora de pisos.
- Sepa cómo detener la cortadora de pisos al instante.



NUNCA opere la cortadora de pisos si se ha extraído cualquiera de los componentes de corte.

- Mantenga a las personas sin experiencia y no autorizadas lejos de la cortadora de pisos en todo momento.
- Mantenga la cortadora de pisos en buenas condiciones operativas. Las piezas sueltas o dañadas son peligrosas.
- Evite usar ropa holgada que pudiera ser atrapada por las piezas móviles.



Mantenga las manos y los pies lejos de las piezas móviles.

- Mantenga todas las etiquetas de advertencia, precaución e instrucciones de seguridad en buenas condiciones. Reemplace las etiquetas faltantes, dañadas o ilegibles.
- Despeje el área de trabajo alrededor de la cortadora a fin de evitar tropiezos o caídas sobre la cortadora.
- Opere sobre un suelo nivelado para evitar que la cortadora de pisos se voltee.
- NO OPERE esta cortadora de pisos bajo la influencia de alcohol o mientras toma medicamentos que deterioran sus reacciones.
- Use únicamente piezas autorizadas de fábrica para repuestos.
- Use gafas de seguridad cuando opere la cortadora de pisos.
- Siempre tenga cuidado al cambiar la hoja cortadora.
- Solo opere la cortadora con los materiales aprobados. Si se requiere una fuerza extrema para cortar un material, puede resultar en lesiones personales y/o daño a la cortadora de pisos.
- Use ropa de protección apropiada mientras opera la cortadora de pisos, incluidas la protección de ojos y oídos, y vestimenta.
- Maneje todos los solventes y agentes de limpieza con cuidado y siga las instrucciones del fabricante sobre la seguridad y la disposición.

CALCOMANÍAS DE SEGURIDAD

Si las calcomanías de seguridad están dañadas, puede reemplazarlas comunicándose con servicio al cliente.



WS2020



WS2021

GARANTÍA

Este producto está garantizado solo al comprador original frente a defectos en material y mano de obra bajo un uso normal, por un año a partir de la fecha de compra. MARSHALLTOWN reparará o reemplazará, sin cargo alguno por piezas y mano de obra, dichas piezas que se determinen como defectuosas. Todos los cargos de transportación de las piezas de repuesto deberán ser pagados por el comprador.

Para obtener el servicio de garantía, el producto debe ser enviado, con prueba de la fecha de compra, a MARSHALLTOWN. Comuníquese con el servicio al cliente de MARSHALLTOWN para determinar el mejor método para enviar el producto que está bajo la garantía. El envío del producto debe realizarse a más tardar 30 días después del vencimiento del periodo de garantía.

Todas las garantías implícitas, incluyendo aquellas de comerciabilidad e idoneidad para una finalidad en especial, están limitadas a un año a partir de la fecha de compra por parte el cliente minorista original y en la medida que lo permita la ley, además se excluyen y se renuncia a todas las garantías implícitas después del vencimiento de dicho periodo.

Algunos estados no permiten limitaciones sobre la duración del periodo de una garantía implícita, o la exclusión o limitaciones de daños indirectos o consecuentes, por lo que las limitaciones o exclusiones mencionadas pueden no aplicar a su caso. Esta garantía le otorga derechos legales específicos y es posible que usted tenga otros derechos que varían de estado a estado.

Exclusión de esta garantía:

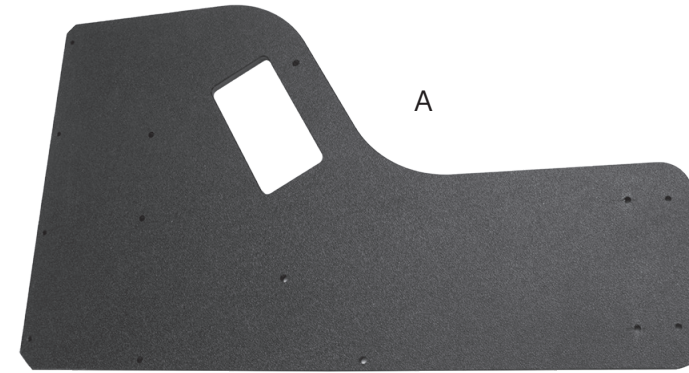
1. Todos los daños consecuentes, incluyendo la recolección y entrega de la unidad, comunicación, cargos por kilometraje y/o renta de una unidad de reemplazo durante reparaciones no están cubiertos por esta garantía ni tampoco cualquier pérdida de ingresos y/u otras pérdidas que resulten por la falla de funcionamiento del producto debido a un defecto cubierto por la garantía.
2. Esta garantía no aplicará cuando el producto se vuelva inoperativo debido al mal uso, desgaste normal, negligencia, mantenimiento inadecuado, accidente o daño en el transporte; no ha sido operado y mantenido de conformidad con las instrucciones proporcionadas en el manual del operador o ha sido alterado o modificado sin la aprobación del Departamento de Servicio de la fábrica.
3. Ninguna pieza o producto debe regresarse a la fábrica sin la aprobación previa por escrito de la fábrica.

MONTAJE

1. Distribuya todas las piezas.

Herramientas para el montaje:

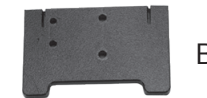
- Destornillador Phillips n.º 2 (no se incluye)
- Llave hexagonal de $\frac{5}{32}$ " (incluida)
- Llave hexagonal de $\frac{7}{32}$ " (incluida)



A



F



B



C



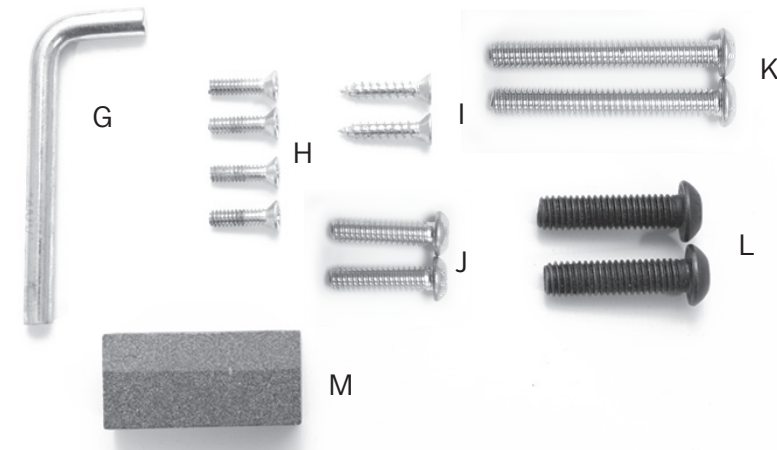
D



E

- A. Cama
- B. Pata
- C. Soporte de la cama
- D. Mango
- E. Guía de la cama
- F. Ensamble de la cortadora

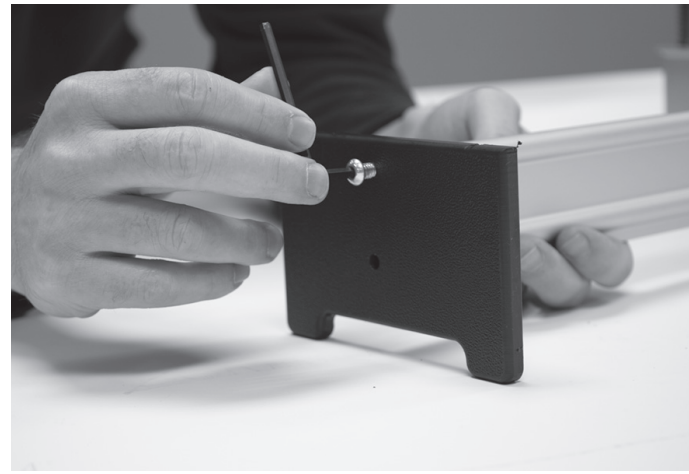
2. Ponga toda la tornillería a la vista.



- G. Pasador de inmovilización (1x)
- H. Tornillo Phillips de cabeza plana ranurada #2, 10-24 X $\frac{3}{4}$ " (4x)
- I. Tornillo Phillips #2 de cabeza plana ranurada #10, 1" de largo (2x)
- J. Tornillo hexagonal de cabeza plana de $\frac{5}{32}$ ", $\frac{1}{4}$ "—20 X 1" (2x)
- K. Tornillo hexagonal de cabeza plana de $\frac{5}{32}$ ", $\frac{1}{4}$ "—20 X 2" (2x)
- L. Tornillo hexagonal de cabeza plana de $\frac{7}{32}$ ", $\frac{3}{8}$ "—16 X $1\frac{1}{4}$ " (2x)
- M. Piedra de esmerilar (1x)



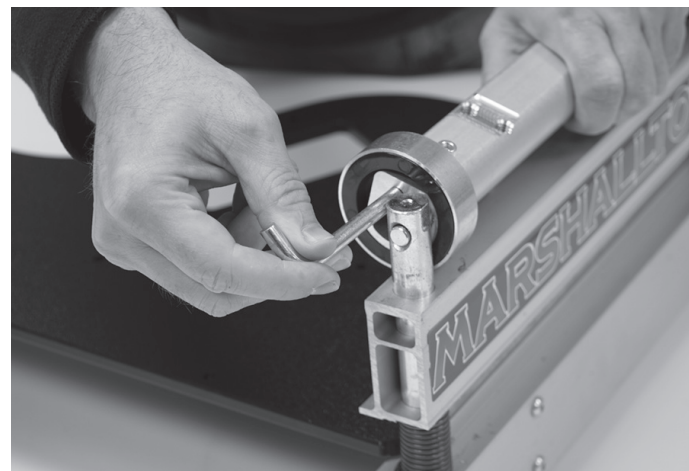
3. Fije el soporte de la cama (C) al ensamblaje de la cortadora (F) usando el juego de tornillería (K).



4. Fije la pata (B) al otro lado del soporte de la cama (C) usando el juego de tornillería (J).



5. Fije la cama (A) al ensamblaje de la cortadora (F) usando el juego de tornillería (I) para la parte posterior y el juego de tornillería (H) para la parte frontal.



6. Gire la base del mango situada en la parte superior del ensamblaje de la cortadora (F) e inserte el pasador de inmovilización (G) a un lado.



7. Fije el mango (D) a la base del mango usando el juego de tornillería (L).



8. Coloque la guía de la cama (E) en los orificios situados en el lado derecho de la cama (A).

OPERACIÓN DEL PRODUCTO



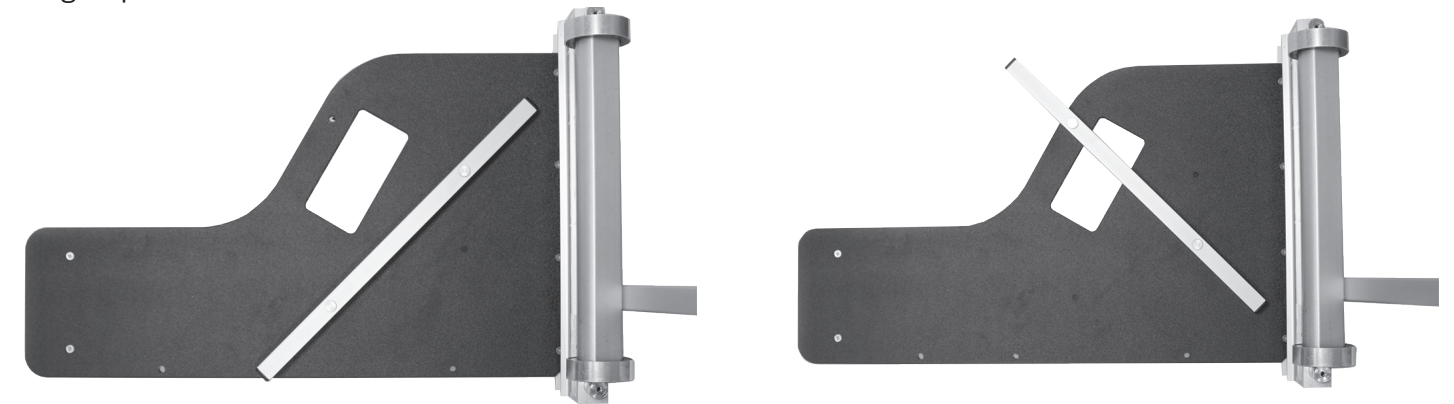
1. Presione el mango hacia abajo y retire con cuidado el pasador de inmovilización. Suba y suelte con cuidado el mango.



2. Coloque el material que cortará en la mesa con el lado del acabado hacia arriba y deslice la hoja hasta el largo deseado. Presione el piso contra la guía de la cama y manténgalo firmemente en su lugar para asegurar un corte limpio y exacto. Presione el mango hacia abajo hasta que la hoja toque el material y luego presione hacia abajo firmemente sobre el mango hasta cortar el material.

CORTES DE 45 GRADOS

1. Retire la guía de la cama tirando de ella firmemente hacia arriba. Inserte la guía en cualquiera de los orificios en ángulo para el corte deseado.



DOBLE CORTE

Algunos materiales pueden necesitar el método de doble corte para obtener un corte limpio. Para estos materiales, realice el primer corte $\frac{1}{4}$ " más largo que su marca. Luego, realice el segundo corte en su marca. Este método ayudará a producir cortes más limpios en algunos materiales.

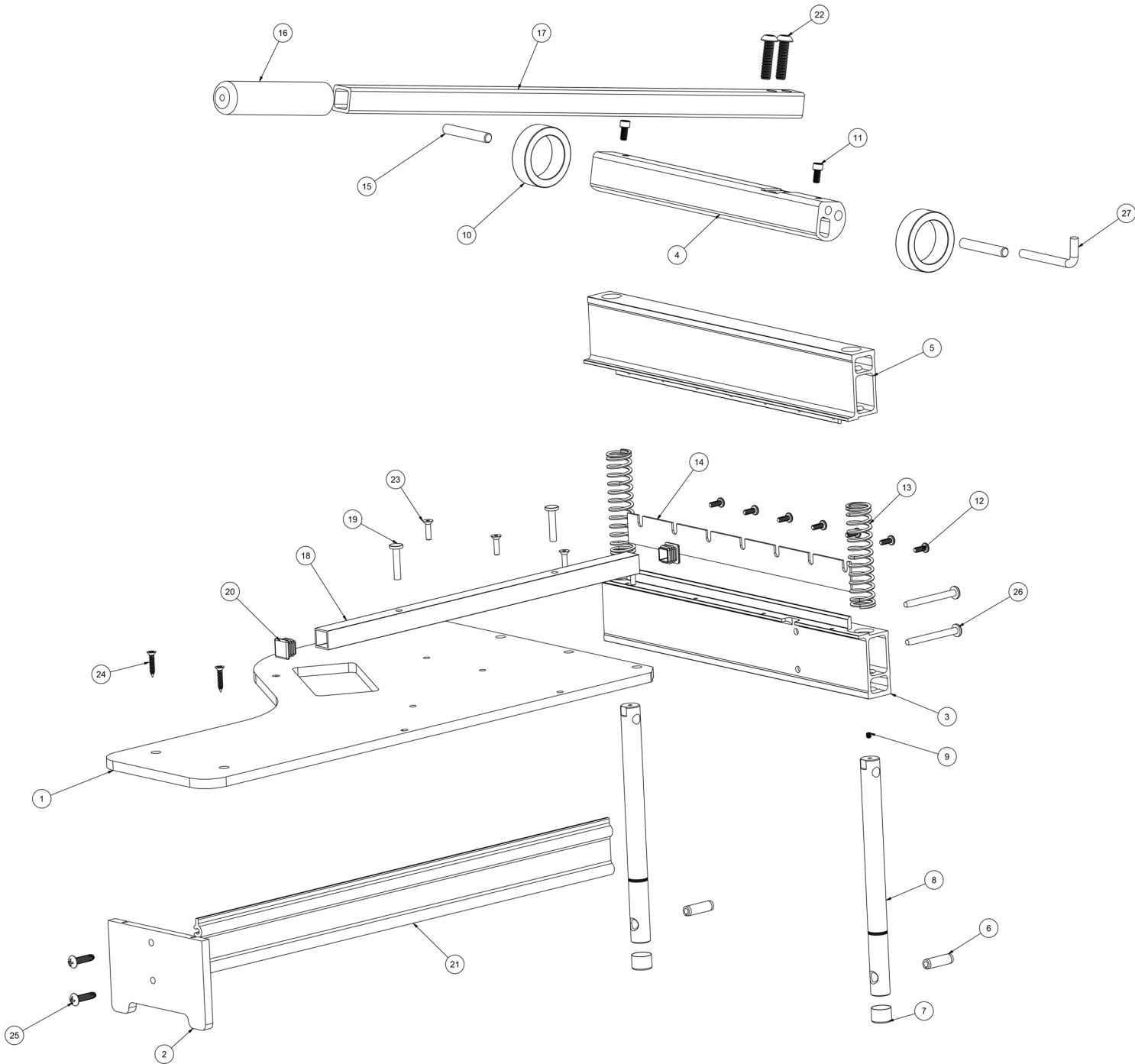
GUÍA DE CORTE

La cortadora de pisos MARSHALLTOWN está diseñada para cortar una variedad de materiales. Algunos de los materiales más comunes son pisos laminados, piso de madera de diseño, losetas vinílicas de lujo, tableros vinílicos de lujo, losetas de compuesto vinílico, recubrimiento de placas de cemento de fibra y más.

Nota: NO intente cortar madera sólida, laminado de alta presión piso de madera de diseño con una clasificación de dureza Janka mayor a 1200 o de una clasificación mayor a AC4.

Nota: Incluso los materiales aprobados pueden variar mucho en densidad y dureza. Si se requiere una fuerza extrema para cortar un material deténgase inmediatamente, ya que pudiera resultar en daños a la cortadora o lesiones. Intentar cortar materiales no aprobados anulará la garantía.

DESCRIPCIÓN DE LAS PIEZAS



DESCRIPCIÓN DE LAS PIEZAS

No. de REF	DESCRIPCIÓN	N.º DE PIEZA	Cantidad
1	CAMA - CORTADORA DE PESO LIGERO, 13"	R4588	1
2	PATA - CORTADORA DE PESO LIGERO, 13"	R4592	1
3	TRAVESAÑO DEL YUNQUE - CORTADORA DE PESO LIGERO, 13"	R5870	1
4	BARRA DE LEVA - CORTADORA DE PESO LIGERO, 13"	R5872	1
5	TRAVESAÑO DE LA HOJA - CORTADORA DE PESO LIGERO, 13"	R5871	1
6	PASADOR DE RESORTE, RANURADO ZINC GALVANIZADO, 0.375 DIÁ X 1¼" LARGO	WR1379	2
7	TAPÓN DE EXTREMO CURVADO DE ¾"	WL793	2
8	VARILLA DE GUÍA - CORTADORA DE PESO LIGERO, 13"	WU913	2
9	TORNILLO DE FIJACIÓN 10-24 UNC, ¾" DE LARGO	WR1377	2
10	ENSAMBLAJES DE COJINETES - LWFS13	R7363	2
11	TORNILLO DE CABEZA HUECA, ¼-20 X ½"	WR1427	2
12	TORNILLO MECÁNICO DE CABEZA TRONCOCÓNICA, 10-24 X ½" Z	WR1158	7
13	RESORTE DE COMPRESIÓN - 0.970" DIÁ EXT. x 4" LARGO, 14 lb/in	WR1634	2
14	HOJA CORTADORA - CORTADORA DE PESO LIGERO, 13"	LWFS13B	1
15	PASADOR DE LEVA-ZINC GALVANIZADO	WU905	2
16	1½" AGARRADERA PARA MANGO (GRIP WORKS PIEZA #133456)	WT507	1
17	MANGO - CORTADORA DE PESO LIGERO, 13"	R5869	1
18	GUÍA - CORTADORA DE PESO LIGERO, 13"	R4589-010	1
19	REMACHE SÓLIDO DE CABEZA PLANA DE ALUMINIO ¼ x 1¼	WR1553	2
20	TAPÓN DE PLÁSTICO CUADRADO	WL710	2
21	SOPORTE DE LA CAMA - CORTADORA DE PESO LIGERO, 13"	WC947	1
22	TORNILLOS DE CABEZA REDONDA DE HEXÁGONO ¾-16 X 1¼" LARGO, ZINC GALVANIZADO	WR1443	2
23	TORNILLO DE CABEZA PLANA, 10-24 UNC, ¾" LARGO	WR1384	4
24	TORNILLO PHILLIPS DE CABEZA PLANA #10 - 1" LARGO	WR1381	2
25	TORNILLO DE CABEZA HUECA, ¼ - 20 X 1"	WR1490	2
26	TORNILLO DE CABEZA HUECA, ¼ - 20 X 2"	WR1491	2
27	INMOVILIZADOR DE LEVA DE ZINC GALVANIZADO	WU904	1

PIEZAS DE REPUESTO

No. de REF	DESCRIPCIÓN	EDI	N.º DE PIEZA
2	MANGO - FS13	R4529	R4529
10	ENSAMBLAJES DE COJINETES - LWFS213	R7363	R7363
21	EXTRUSIÓN DEL SOPORTE DE LA CAMA - FS13	WC947	WC947
12	TORNILLO MECÁNICO DE CABEZA TRONCOCÓNICA, 10-24 X 1/2" Z	WR1158	WR1158
9	TORNILLO DE FIJACIÓN 10-24 UNC, 0.1875" LARGO	WR1377	WR1377
23	TORNILLO DE CABEZA PLANA 10-24 UNC, 0.75" LARGO	WR1384	WR1384
15	CLAVIJA DE LEVA-FS13-ZINC GALVANIZADO	WU905	WU905

MANTENIMIENTO

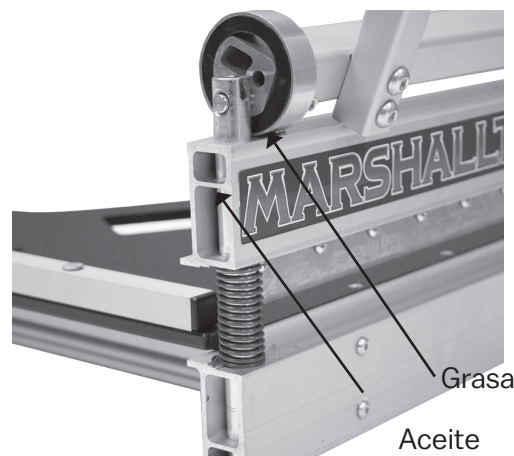
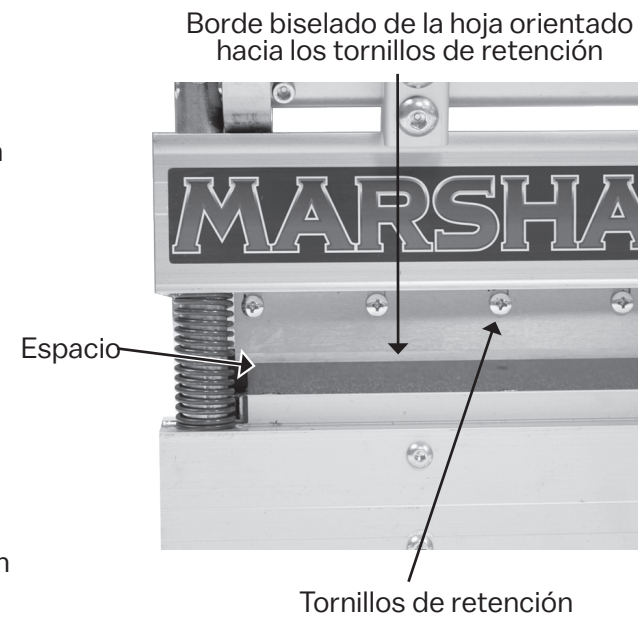
Cómo afilar la hoja

Empuje el mango hacia abajo hasta que la hoja esté 1/8" (3 mm) por encima de la parte superior de la mesa. Coloque la piedra de esmerilar (M) contra el lado plano de la hoja. Deslice la piedra de esmerilar desde un extremo de la hoja al otro 3 a 4 veces. Esto eliminará cualquier rebaba de la hoja y debe realizarse después de cada 100 cortes. Tenga cuidado al afilar la hoja. La hoja está afilada y puede causar lesiones fácilmente. Se recomienda usar guantes resistentes a cortes cuando afile la hoja.



Cómo cambiar la hoja

PRECAUCIÓN Use guantes resistentes al corte cuando reemplace la hoja. Cubra el borde de corte con un protector de hoja u otra cubierta adecuada. Coloque la cortadora boca abajo en una mesa de trabajo con las mordazas en la posición abierta, creando un espacio para permitir la extracción de la hoja. Para retirar la hoja, use un destornillador Phillips n.º 2 y afloje los 7 tornillos de retención una vuelta completa en sentido antihorario. Al aflojar el último tornillo, la hoja se deslizará hacia afuera. Retire los tornillos si la hoja no se desliza hacia afuera fácilmente. Cubra el borde de corte de la nueva hoja con un protector de hoja u otra cubierta adecuada. Deslice la nueva hoja en su posición con el borde biselado orientado hacia los tornillos. Centre la hoja y asegúrese de que esté completamente insertada. Apriete manualmente el tornillo central. Apriete manualmente los demás tornillos para completar la instalación.



Lubricación

Después de cada 100 cortes, se recomienda lubricar la cortadora. Use un aceite o grasa ligera (grasa para cojinete de ruedas) y aplíquela de conformidad con la siguiente imagen. La lubricación prolongará la vida útil de la cortadora y resultará en cortes más fáciles.

DIAGNÓSTICO Y CORRECCIÓN DE FALLAS

PROBLEMA	RESOLUCIÓN
La cortadora no corta el material deseado	Revise la guía de cortes en el manual para confirmar que sea un material aprobado. Comuníquese con el servicio al cliente de MARSHALLTOWN. No intente usar demasiada fuerza para cortar el material.
La cortadora deja una orilla irregular en el piso	Use la piedra de esmerilar para afilar con cuidado la hoja según se describe en el manual. Use el método de doble corte como se describe en el manual, de ser necesario.
La cortadora requiere de más fuerza de lo normal para cortar	Use la piedra de esmerilar para afilar con cuidado la hoja según se describe en el manual. Siga la sección de mantenimiento del manual para lubricar la cortadora con aceite y grasa.



104 S. 8th Ave., Marshalltown, IA
Teléfono 800-888-0127 / 641-753-0127
Fax 800-477-6341 / 641-753-6341
www.MARSHALLTOWN.com
WS2690revB



COUPE-PLANCHER ULTRA-LÉGER 13 po

Réf. LWFS13 | EDI 29305



104 S. 8th Ave. | Marshalltown, IA
Téléphone 800-888-0127 / 641-753-0127 | Télécopieur 800-477-6341 / 641-753-6341
www.MARSHALLTOWN.com
WS2690revB

INTRODUCTION

Félicitations pour votre achat d'un coupe-plancher MARSHALLTOWN. Fièrement produits aux États-Unis, les coupe-plancher MARSHALLTOWN sont des outils robustes fabriqués à partir des matériaux de la meilleure qualité. Les coupe-plancher MARSHALLTOWN sont conçus à l'intention des professionnels du revêtement de sol afin d'assurer précision et fiabilité.

Les autres caractéristiques de ce coupe-plancher MARSHALLTOWN comprennent notamment :

- Découpe facile et silencieuse en une fois
- Permet de couper à l'intérieur sans produire de poussière
- Coupe des matériaux de 13 po (330 mm) de largeur et de 12 mm d'épaisseur
- Guide mobile pour des coupes à 90° et à 45°

Ce manuel de l'utilisateur fournit l'information nécessaire pour faire fonctionner et entretenir ce coupe-plancher MARSHALLTOWN. Veiller à lire avec attention et à respecter toutes les consignes de sécurité et d'utilisation de ce manuel. S'assurer que chaque utilisateur de ce coupe-plancher a lu le manuel avant d'utiliser l'appareil. Le remplacement de toute pièce du coupe-plancher autrement que par des pièces de rechange agréées par le fabricant peut avoir un effet contraire sur le fonctionnement, la durabilité ou la sécurité du produit.

Veiller à bien respecter les mesures de sécurité. Lire et respecter toutes les consignes de sécurité et d'utilisation figurant dans ce manuel de l'utilisateur. Le fabricant se réserve le droit de modifier ou d'améliorer le produit à tout moment sans préavis ni obligation. Le fabricant se réserve le droit de décider, à sa seule discrétion et à tout moment, d'abandonner ce produit.

Ce manuel concerne le coupe-plancher ultra-léger 13 po de MARSHALLTOWN. Pour les questions techniques ou les pièces de rechange, appeler le service après-vente de MARSHALLTOWN au 1-800-888-0127 ou visiter www.MARSHALLTOWN.com.

TABLE DES MATIÈRES

Mesures de sécurité	3
Autocollants de sécurité	4
Garantie	4
Assemblage	5
Fonctionnement du produit.....	7
Conseils de coupe	7
Nomenclature des pièces	8-9
Entretien	10
Dépannage	11

MESURES DE SÉCURITÉ



- Les panonceaux  DANGER et  AVERTISSEMENT sont placés à proximité de zones dangereuses particulières.



- Les panonceaux ATTENTION comportent des mesures générales de précaution.

- Ce symbole apparaît avant les mises en garde dans le texte. Il signifie que l'étape qui suit doit être effectuée pour écarter les risques de blessures corporelles ou de mort. Ces mises en garde ont pour objet d'aider le technicien à éviter les dangers potentiels rencontrés durant les procédures normales d'entretien. Nous conseillons vivement au lecteur de tenir compte de l'information fournie afin d'éviter les blessures personnelles ou à autrui.

LES MESURES DE PRÉCAUTION SUIVANTES SONT CONSEILLÉES POUR ÉVITER LES ACCIDENTS. LE MEILLEUR UTILISATEUR EST UN UTILISATEUR PRUDENT. LA MAJORITÉ DES ACCIDENTS PEUVENT ÊTRE ÉVITÉS EN OBSERVANT CERTAINES PRÉCAUTIONS. POUR ÉVITER LES ACCIDENTS, LIRE ET RESPECTER LES MESURES DE PRÉCAUTION SUIVANTES AVANT D'UTILISER CE MATÉRIEL. LE MATÉRIEL DOIT ÊTRE UTILISÉ UNIQUEMENT PAR DES PERSONNES RESPONSABLES ET FORMÉES À SON UTILISATION.



PROPOSITION 65 DE CALIFORNIE - AVERTISSEMENT : Ce produit peut exposer son utilisateur à des substances que l'État de Californie a déclarées responsables de cancer, malformations congénitales et autres effets nocifs sur la reproduction.

- Lire toutes les instructions d'utilisation et d'entretien avant d'utiliser ou d'entretenir le coupe-plancher.
- Un coupe-plancher est aussi sûr que son utilisateur seulement. Veiller à accorder toute son attention à l'utilisation du coupe-plancher.
- Savoir comment arrêter le coupe-plancher instantanément.



NE JAMAIS utiliser le coupe-plancher si certaines de ses pièces ont été retirées.

- Toujours tenir les personnes inexpérimentées et non autorisées à l'écart du coupe-plancher.
- Maintenir le coupe-plancher en bon état de fonctionnement. Les pièces desserrées ou endommagées sont dangereuses.
- Éviter les vêtements amples susceptibles d'être pris dans les pièces en mouvement.



Tenir les mains et les pieds à l'écart des pièces en mouvement.

- Maintenir toutes les étiquettes d'avertissement, de mise en garde et d'instructions de sécurité en bon état. Remplacer les étiquettes manquantes, endommagées ou illisibles.
- Dégager la zone de travail autour du coupe-plancher pour éviter de trébucher ou de tomber dessus.
- Travailler sur une surface plane pour éviter que le coupe-plancher se renverse.
- NE PAS UTILISER ce coupe-plancher alors qu'on est sous l'emprise de l'alcool ou qu'on prend des médicaments qui altèrent les réflexes.
- Utiliser uniquement des pièces de rechange autorisées par l'usine.
- Porter des lunettes de sécurité durant l'utilisation du coupe-plancher.
- Toujours faire preuve de précaution pour changer la lame de coupe.
- Utiliser le coupe-plancher uniquement avec des matériaux approuvés. Si une force excessive est nécessaire pour couper un matériau, cela peut provoquer des blessures corporelles ou des dommages au coupe-plancher.
- Porter une tenue de protection adaptée durant l'utilisation du coupe-plancher, notamment des yeux, des oreilles et des vêtements.
- Manipuler tous les solvants et produits nettoyants avec précaution et suivre les instructions du fabricant concernant la sécurité et l'élimination.

AUTOCOLLANTS DE SÉCURITÉ

Si les autocollants de sécurité sont endommagés, ils peuvent être remplacés en s'adressant au service après-vente.



WS2020



WS2021

GARANTIE

Ce produit est garanti à l'acheteur initial seulement contre les défauts de matériau et de fabrication dans des conditions normales d'utilisation, pendant un an à compter de la date d'achat. MARSHALLTOWN s'engage à réparer ou à remplacer, sans frais de pièces ou de main-d'œuvre, toute pièce jugée défectueuse. Tous les frais de port pour les pièces de rechange seront à la charge de l'acheteur.

Pour recourir à la garantie, le produit doit être renvoyé à MARSHALLTOWN accompagné d'un justificatif de la date d'achat. Communiquer avec le service après-vente de MARSHALLTOWN pour déterminer la meilleure méthode de renvoi du produit sous garantie. Le produit devra être renvoyé au plus tard 30 jours après l'expiration de la période de garantie.

Toutes les garanties implicites, notamment de qualité marchande ou d'adaptation à un emploi particulier, sont limitées à une année à compter de la date d'achat par l'acheteur au détail initial et, dans la mesure permise par la loi, toutes les garanties sont exclues et rejetées après l'expiration de cette période.

Certains états ou provinces interdisent les limites de durée des garanties implicites ou l'exclusion ou la limitation des dommages accessoires ou indirects, par conséquent les limites ou exclusions ci-dessous peuvent ne pas s'appliquer à vous. La présente garantie vous confère des droits juridiques particuliers et vous pouvez également avoir d'autres droits, susceptible de changer d'une juridiction à l'autre.

Exclusions de la présente garantie :

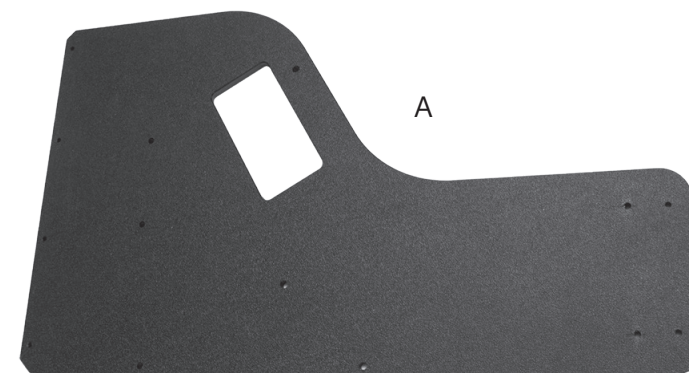
1. Tous les dommages indirects, y compris l'enlèvement et la livraison de la machine, les communications, les frais de déplacement et la location de toute machine durant les réparations ne sont pas couverts aux termes de la présente garantie, ni aucun manque à gagner ou autre perte liée à un défaut de fonctionnement du produit en raison d'une défectuosité couverte par la garantie.
2. La présente garantie ne s'applique pas si le produit devient inopérant suite à une utilisation détournée, usure normale, négligence, entretien incorrect, accident ou dommages liés au transport; s'il n'a pas été utilisé et entretenu conformément aux instructions figurant dans le manuel d'utilisation; ou s'il a été altéré ou modifié sans l'autorisation du service après-vente du fabricant.
3. Ne pas renvoyer de pièces ou produits à l'usine sans autorisation écrite préalable du fabricant.

ASSEMBLAGE

1. Déballez toutes les pièces.

Outils pour l'assemblage :

- Tournevis Phillips n° 2 (non fourni)
- Clé six pans de 5/32 po (fournie)
- Clé six pans de 7/32 po (fournie)



A



F



B



C



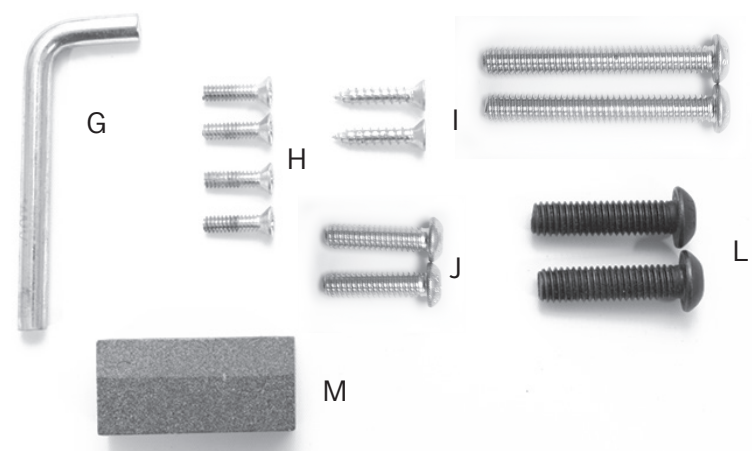
D



E

- A. Plateau
- B. Pied
- C. Renfort de plateau
- D. Levier
- E. Guide
- F. Système de coupe

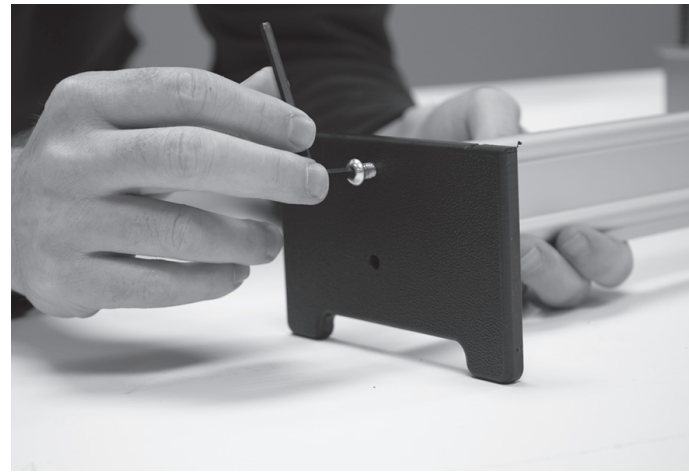
2. Déballez toute la visserie.



- G. Goupille de blocage de came (1x)
- H. Vis à tête plate Phillips n° 2, 10-24 X 3/4 po (4x)
- I. Vis à tête plate Phillips n° 2, n° 10 x 1 po (2x)
- J. Vis à tête ronde six pans 5/32 po, 1/4 po—20 x 1 po (2x)
- K. Vis à tête ronde six pans 5/32 po, 1/4 po—20 x 2 po (2x)
- L. Vis à tête ronde six pans 7/32 po, 3/8 po—16 x 1-1/4 po (2x)
- M. Pierre à aiguiser (1x)



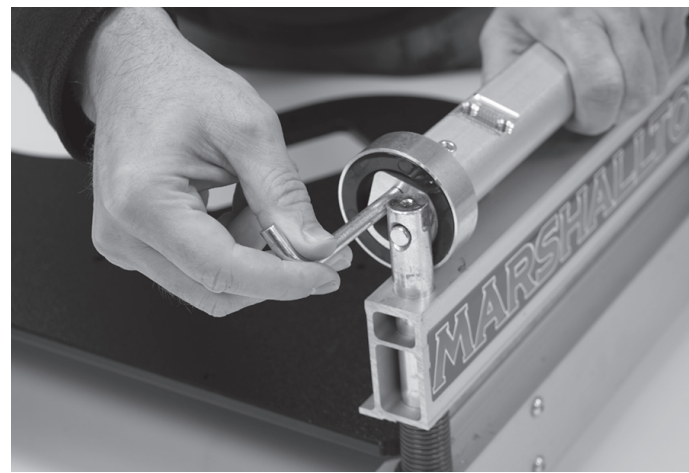
3. Attacher le renfort de plateau (C) et le système de coupe (F) avec les vis (K).



4. Attacher le pied (B) au renfort de plateau (C) avec les vis (J).



5. Attacher le plateau (A) au système de coupe (F) avec les vis (I) à l'arrière et les vis (H) à l'avant.



6. Tourner le support de levier sur le dessus du système de coupe (F) et enfilez la goupille de blocage (G) dans le côté.



7. Attacher le levier (D) au support de levier avec les vis (L).



8. Placer le guide (E) dans les trous sur le côté droit du plateau (A).

FONCTIONNEMENT DU PRODUIT



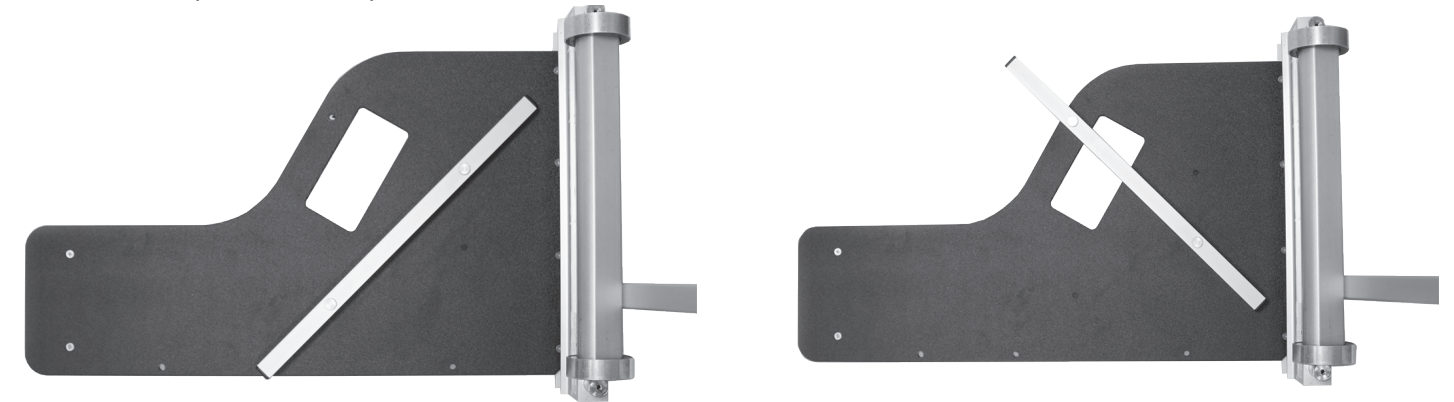
1. Appuyer sur le levier et retirer avec précaution la goupille de blocage de came. Avec précaution, relever et relâcher le levier.



2. Poser le matériau à couper sur le plateau avec la face finie sur le dessus et le glisser sous la lame à la longueur souhaitée. Pousser le matériau de revêtement contre le guide et le maintenir fermement en place pour assurer une coupe propre et précise. Pousser le levier vers le bas jusqu'à ce que la lame touche le matériau, puis appuyer fermement sur le levier jusqu'à ce que le matériau soit coupé.

COUPES À 45 DEGRÉS

1. Détacher le guide en le tirant fermement vers le haut. Insérer le guide dans les trous en diagonale qui conviennent pour la découpe souhaitée.



COUPES DOUBLES

Certains matériaux peuvent nécessiter une découpe en deux temps pour obtenir une coupe nette. Pour ces matériaux, effectuer la première coupe à 6 mm (¼ po) de longueur en plus que le tracé. Faire ensuite une deuxième coupe sur le tracé. Cette méthode permet de produire des coupes plus nettes sur certains matériaux.

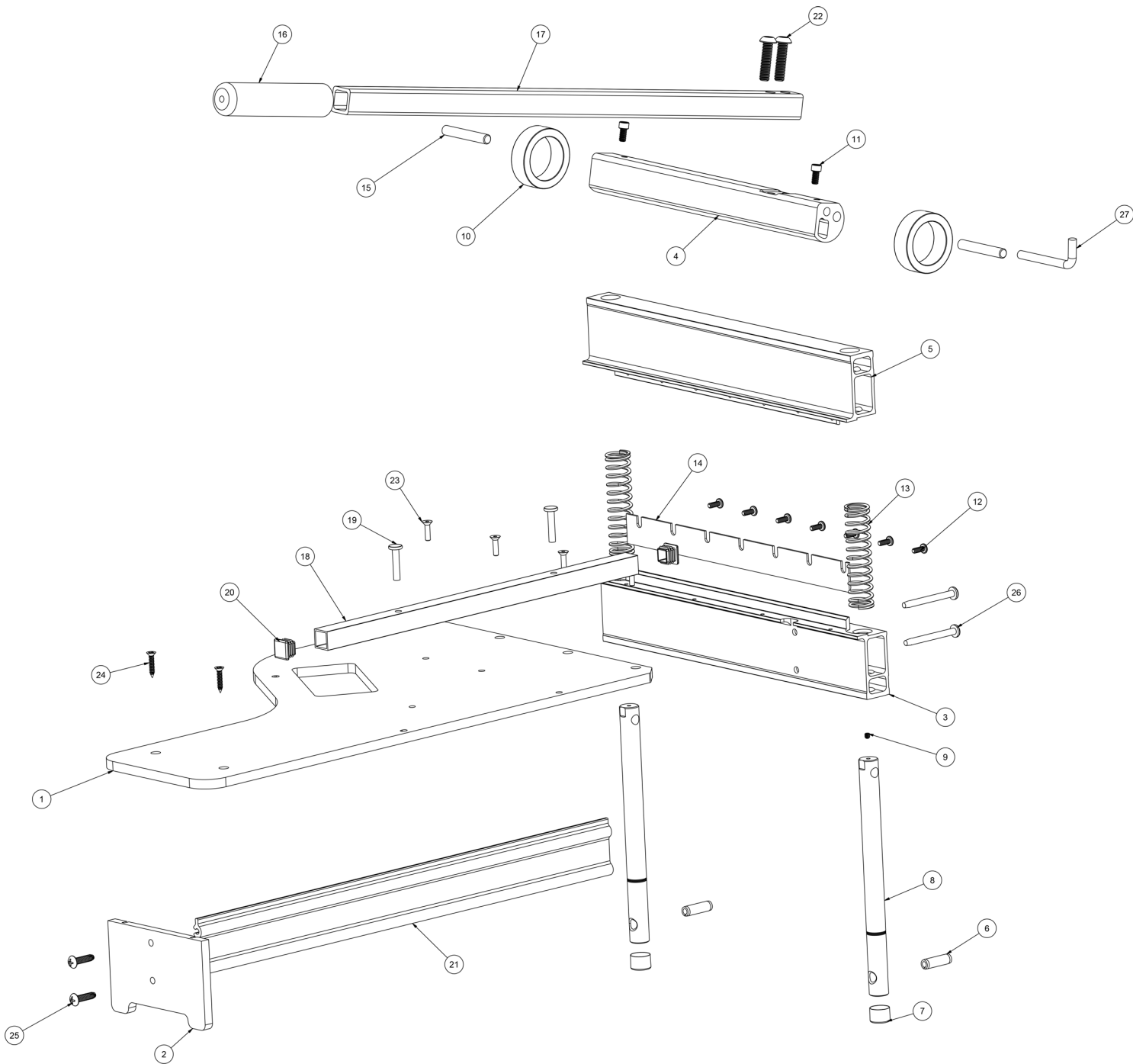
CONSEILS DE COUPE

Le coupe-plancher MARSHALLTOWN est conçu pour couper divers matériaux. Parmi les matériaux les plus courants, on compte les revêtements de sol stratifiés, les planchers en bois franc d'ingénierie, les dalles en vinyle de luxe, les lames en vinyle de luxe, les dalles en composite de vinyle, le bardage en panneau de fibro-ciment et plus encore.

Remarque : NE PAS tenter de couper de bois massif, de stratifié haute pression ou de bois franc d'ingénierie de dureté Janka supérieure à 1200 ou de classe supérieure à AC4.

Remarque : Même les matériaux approuvés peuvent présenter des densités et des duretés très variées. Si une force excessive est nécessaire pour couper un matériau, arrêter immédiatement pour éviter les risques de dommages au coupe-plancher ou de blessures. Toute tentative de coupe de matériaux non approuvés invalidera la garantie.

NOMENCLATURE DES PIÈCES



NOMENCLATURE DES PIÈCES

REP.	DESCRIPTION	RÉF. PIÈCE	Quantité
1	PLATEAU - COUPE-PLANCHER LÉGER 13 po	R4588	1
2	PIED - COUPE-PLANCHER LÉGER 13 po	R4592	1
3	BARRE CONTRE-OUTIL - COUPE-PLANCHER LÉGER 13 po	R5870	1
4	BARRE À CAME - COUPE-PLANCHER LÉGER 13 po	R5872	1
5	BARRE PORTE-LAME - COUPE-PLANCHER LÉGER 13 po	R5871	1
6	GOUPILLE ÉLAST FENDUE ZINGUÉE, DIA 0,375 x 1-¼ po	WR1379	2
7	CAPUCHON ROND ¾ po	WL793	2
8	TIGE DE GUIDAGE - COUPE-PLANCHER LÉGER 13 po	WU913	2
9	VIS DE CALAGE, 10-24 UNC, LONG. ¾ po	WR1377	2
10	PALIER - LWFS13	R7363	2
11	VIS SHCS ¼-20 x ½ po	WR1427	2
12	VIS MÉCANIQUE PPH, 10-24 X ½ po Z	WR1158	7
13	RESSORT DE COMPRESSION - D.E. 0,970 po x 4 po, 14 lb/po	WR1634	2
14	LAME DE COUPE - COUPE-PLANCHER LÉGER 13 po	LWFS13B	1
15	GOUPILLE DE CAME, ZINGUÉE	WU905	2
16	POIGNÉE DE LEVIER 1-½ po (PIÈCE GRIP WORKS RÉF. 133456)	WT507	1
17	LEVIER - COUPE-PLANCHER LÉGER 13 po	R5869	1
18	GUIDE - COUPE-PLANCHER LÉGER 13 po	R4589-010	1
19	RIVET PLEIN AL TÊTE PLATE ¼ x 1-¼ po	WR1553	2
20	CAPUCHON EN PLASTIQUE CARRÉ	WL710	2
21	RENFORT DE PLATEAU - COUPE-PLANCHER LÉGER 13 po	WC947	1
22	VIS BHCS ¾-16 x 1-¼ po DE LONG, ZINGUÉE	WR1443	2
23	VIS FHCS, 10-24 UNC, ¾ po DE LONG	WR1384	4
24	VIS TÊTE PLATE PHILLIPS N° 10 - 1 po DE LONG	WR1381	2
25	VIS BHCS ¼ - 20 x 1 po	WR1490	2
26	VIS BHCS ¼ - 20 x 2 po	WR1491	2
27	LOQUET DE CAME, ZINGUÉ	WU904	1

PIÈCES DE RECHANGE

REP.	DESCRIPTION	EDI	RÉF. PIÈCE
2	LEVIER - FS13	R4529	R4529
10	PALIER - LWFS213	R7363	R7363
21	RENFORT DE PLATEAU EXTRUDÉ - FS13	WC947	WC947
12	VIS MÉCANIQUE PPH, 10-24 x 1/2 po Z	WR1158	WR1158
9	VIS DE CALAGE, 10-24 UNC, 0,1875 po DE LONG	WR1377	WR1377
23	VIS FHCS 10-24 UNC, 0,75 po DE LONG	WR1384	WR1384
15	GOUPILLE DE CAME - FS13 - ZINGUÉE	WU905	WU905

ENTRETIEN

Affûter la lame

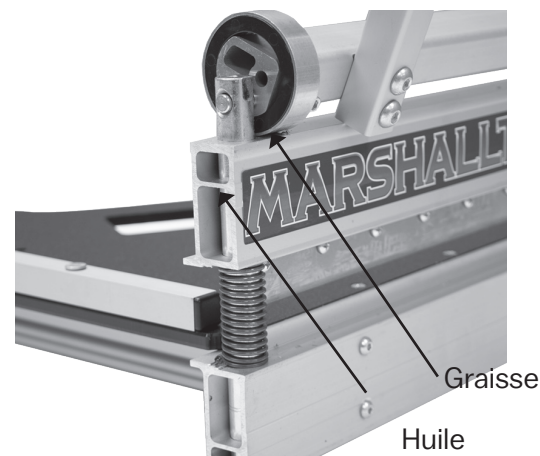
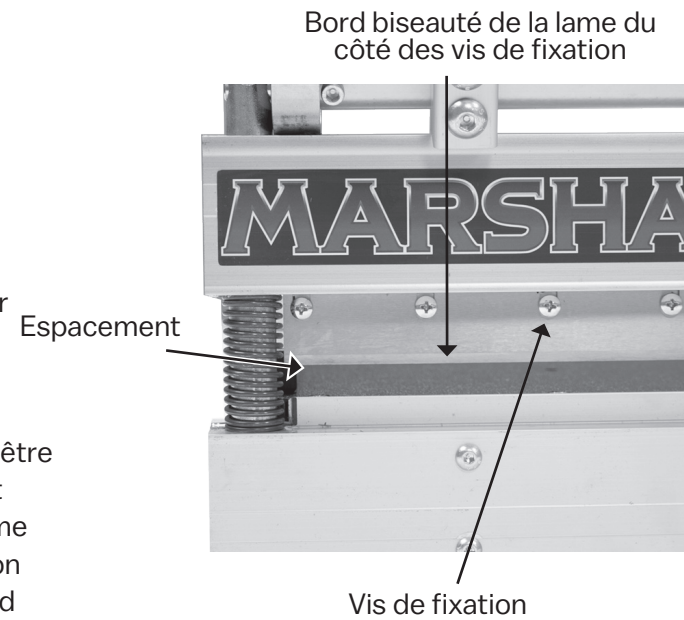
Pousser le levier vers le bas jusqu'à placer la lame à $\frac{1}{8}$ po (3 mm) au-dessus du plateau. Placer la pierre à aiguiser fournie (M) contre la face plane de la lame. Glisser la pierre à aiguiser d'un bout à l'autre de la lame 3 à 4 fois de suite. Cela permet d'éliminer les ébarbures de la lame et doit être fait toutes les 100 coupes. Faire preuve de précaution lors de l'affûtage de la lame. La lame est tranchante et peut facilement provoquer des blessures. Il est conseillé de porter des gants résistants aux coupures pour affûter la lame.



Changer la lame



Porter des gants anticoupeure pour changer la lame. Couvrir l'arête tranchante à l'aide d'un protège-lame ou autre protection adaptée. Poser le coupe-plancher à l'envers sur un établi avec les mâchoires en position ouverte de façon à créer l'espacement nécessaire pour enlever la lame. Pour démonter la lame, utiliser un tournevis Phillips n° 2 et desserrer les 7 vis de fixation d'un tour complet dans le sens inverse des aiguilles d'une montre. Lorsque la dernière vis est desserrée, la lame peut être extraite. Retirer complètement les vis si la lame est difficile à retirer. Couvrir l'arête tranchante de la lame neuve à l'aide d'un protège-lame ou autre protection adaptée. Mettre la lame neuve en place avec le bord biseauté du côté des vis. Centrer la lame et s'assurer qu'elle est engagée à fond. Serrer la vis centrale à la main. Serrer les vis restantes à la main pour terminer l'installation.



Lubrification

Il est conseillé de lubrifier le coupe-plancher toutes les 100 coupes. Utiliser une huile et une graisse légères (graisse pour roulements de roue) et les appliquer comme sur l'illustration ci-dessous. La lubrification du coupe-plancher prolonge sa durée de vie et permet des coupes plus faciles.

DÉPANNAGE

PROBLÈME	RÉSOLUTION
Le coupe-plancher ne coupe pas le matériau souhaité	Consulter les conseils de coupe dans le manuel pour confirmer qu'il s'agit d'un matériau compatible. Communiquer avec le service après-vente MARSHALLTOWN. Ne pas user de force excessive pour tenter de couper le matériau.
Le coupe-plancher produit une arête irrégulière sur le revêtement de sol	Utiliser la pierre à aiguiser pour rectifier la lame avec soin comme indiqué dans le manuel. Utiliser la méthode de coupe double décrite dans le manuel s'il y a lieu.
Le coupe-plancher nécessite davantage de force que d'habitude	Utiliser la pierre à aiguiser pour rectifier la lame avec soin comme indiqué dans le manuel. Se reporter aux instructions d'entretien du manuel pour huiler et graisser le coupe-plancher.



104 S. 8th Ave., Marshalltown, IA
Téléphone 800-888-0127 / 641-753-0127
Télécopie 800-477-6341 / 64 1-753-6341
www.MARSHALLTOWN.com
WS2690revB



ULTRALEICHTER 330-mm-HEBELSCHNEIDER FÜR BODENBELÄGE

Bestell-Nr. LWFS13 | EDI-Nr. 29305



104 S. 8th Ave. | Marshalltown, Iowa (USA)
Tel.: +1 800-888-0127 / +1 641-753-0127 | Fax: +1 800-477-6341 / +1 641-753-6341
www.MARSHALLTOWN.com
WS2690revB

EINFÜHRUNG

Wir gratulieren Ihnen zum Kauf eines MARSHALLTOWN-Hebelschneiders für Bodenbeläge. Die in den USA hergestellten MARSHALLTOWN-Hebelschneider für Bodenbeläge eignen sich für eine hohe Beanspruchung und werden aus höchstwertigen Materialien gefertigt. MARSHALLTOWN-Hebelschneider sollen professionellen Fußbodenverlegern die von diesen geforderte Genauigkeit und Zuverlässigkeit bieten.

Darüber hinaus besticht Ihr MARSHALLTOWN-Hebelschneider für Bodenbeläge durch die folgenden Vorteile:

- Mit einem einzigen, einfachen Schnitt wird das gewünschte Ergebnis erzielt.
- Das Schneiden kann in Gebäuden stattfinden, ohne dass Staub anfällt.
- Zum Schneiden von Material mit einer Breite von bis zu 330 mm und einer Dicke von 12 mm geeignet.
- Führungslinien können für 90°- und 45°-Schnitte verschoben werden.

Diese Bedienungsanleitung enthält alle für Bedienung und Instandhaltung des MARSHALLTOWN-Hebelschneiders für Bodenbeläge erforderlichen Informationen. Lesen und befolgen Sie sorgfältig alle Sicherheits- und Bedienungshinweise in dieser Anleitung. Stellen Sie sicher, dass jeder Bediener dieses Hebelschneiders diese Anleitung vor Gebrauch des Geräts gelesen hat. Der Ersatz jeglicher Teile dieses Hebelschneiders für Bodenbeläge durch nicht vom Hersteller autorisierte Ersatzteile kann die Leistung, Haltbarkeit oder Sicherheit des Produkts beeinträchtigen.

Stellen Sie sicher, dass alle Sicherheitsvorkehrungen getroffen werden. Lesen und befolgen Sie alle Sicherheits- und Bedienungshinweise in dieser Bedienungsanleitung. Der Hersteller behält sich das Recht vor, ohne Ankündigung oder einer damit verbundenen Verpflichtung jederzeit Änderungen oder Verbesserungen an seinem Produkt vorzunehmen. Der Hersteller behält sich ferner das Recht vor, die Produktion dieses Produkts im eigenen Ermessen jederzeit einzustellen.


Diese Anleitung betrifft den ultraleichten 330-mm-Hebelschneider für Bodenbeläge von MARSHALLTOWN. Bei technischen Fragen oder zum Bezug von Reparaturteilen rufen Sie bitte den MARSHALLTOWN-Kundendienst unter der Rufnummer 1-800-888-0127 an oder besuchen Sie www.MARSHALLTOWN.com.

INHALTSVERZEICHNIS

Sicherheitsvorkehrungen	3
Sicherheitsaufkleber	4
Garantie	4
Zusammenbau	5
Bedienung des Produkts	7
Schneidanleitung	7
Teileaufschlüsselung	8-9
Wartung	10
Fehlersuche und -behebung	11

SICHERHEITSVORKEHRUNGEN



- Die Sicherheitssymbole **GEFAHR**  und **WARNUNG**  dienen der Kennzeichnung bestimmter Gefahren.
- Neben Sicherheitssymbolen mit der Aufschrift **VORSICHT**  sind Sicherheitshinweise allgemeiner Art angegeben.

- Dieses Symbol erscheint vor Warnungen im Text. Es weist darauf hin, dass der im Anschluss beschriebene Schritt ausgeführt werden muss, um das Risiko von Verletzungen, auch mit Todesfolge, zu vermeiden. Diese Warnungen sollen dem Techniker dabei helfen, potenzielle Gefahren zu vermeiden, die bei der Ausführung normaler Instandhaltungsarbeiten auftreten. Wir empfehlen dem Leser nachdrücklich, durch Beachtung der entsprechenden Hinweise Verletzungen seiner eigenen und anderer Personen zu vermeiden.

DIE FOLGENDEN VORSICHTSMASSNAHMEN DIENEN DER VERMEIDUNG VON UNFÄLLEN. EIN UMSICHTIGER BEDIENER IST DER BESTE BEDIENER. DIE MEISTEN UNFÄLLE KÖNNEN BEI BEACHTUNG BESTIMMTER VORSICHTSMASSNAHMEN VERMIEDEN WERDEN. LESEN UND BEACHTEN SIE VOR DER BEDIENUNG DIESES GERÄTS DIE FOLGENDEN VORSICHTSMASSNAHMEN, UM UNFÄLLE ZU VERHÜTEN. DER HEBELSCHNEIDER DARF NUR VON IHRER VERANTWORTUNG BEWUSSTEN PERSONEN BEDIENT WERDEN, DIE IM UMGANG MIT DEM GERÄT GESCHULT WURDEN.



WARNUNG GEMÄSS „CALIFORNIA PROPOSITION 65“: Dieses Produkt kann Sie mit Chemikalien in Kontakt bringen, von denen dem US-Bundesstaat Kalifornien bekannt ist, dass sie Krebs, Geburtsfehler oder andere Störungen des Fortpflanzungssystems verursachen.

- Vor Betrieb oder Instandhaltung des Hebelschneiders für Bodenbeläge alle Bedienungs- und Wartungsanweisungen lesen.
- Hebelschneider für Bodenbeläge können nur von einem auf die Sicherheit achtenden Bediener sicher bedient werden. Beim Arbeiten mit dem Hebelschneider für Bodenbeläge keine Ablenkungen zulassen.
- Informieren Sie sich darüber, wie der Hebelschneider für Bodenbeläge sofort zum Stillstand gebracht werden kann.



Den Hebelschneider für Bodenbeläge NICHT in Betrieb nehmen, wenn zuvor irgendwelche Komponenten des Geräts entfernt wurden.

- Unerfahrenen und unbefugten Personen ist der Zugang zum Hebelschneider zu verwehren.
- Einen einwandfreien Betriebszustand des Hebelschneiders gewährleisten. Lose oder beschädigte Teile stellen eine Gefahr dar.
- Das Tragen von lose anliegenden Kleidungsstücken vermeiden, die sich in bewegten Teilen verfangen können.



Hände und Füße von bewegten Teilen fernhalten.

- Auf einen guten Zustand aller Warn-, Vorsichts- und Sicherheitshinweisenaufkleber achten. Fehlende, beschädigte und unleserliche Aufkleber sind zu ersetzen.
- Den Arbeitsbereich rund um den Fliesenschneider aufräumen, damit keine Personen stolpern und auf das Gerät fallen können.
- Den Hebelschneider für Bodenbeläge auf ebenem Boden betreiben, damit er nicht umkippen kann.
- Diesen Hebelschneider NICHT unter dem Einfluss von Alkohol oder Medikamenten in Betrieb nehmen, welche die Reaktionsfähigkeit beeinträchtigen.
- Nur Original-Ersatzteile verwenden.
- Beim Bedienen des Hebelschneiders eine Schutzbrille tragen.
- Beim Auswechseln des Schneidmessers mit der gebotenen Vorsicht vorgehen.
- Den Fliesenschneider nur mit dafür zugelassenen Materialien bedienen. Wenn zum Schneiden eines Materials ein extrem hoher Kraftaufwand erforderlich ist, kann es zu Verletzungen und/oder Beschädigungen des Hebelschneiders für Bodenbeläge kommen.
- Bei der Bedienung des Hebelschneiders ist eine angemessene Schutzbekleidung mit Augen- und Ohrenschutz zu tragen.
- Alle Lösemittel und Reinigungsflüssigkeiten sind mit Vorsicht zu behandeln; die Hinweise des Herstellers zur Sicherheit und Entsorgung sind zu beachten.

SICHERHEITSaufKLEBER

Wenn Ihre Sicherheitsaufkleber beschädigt sind, können Sie vom Kundendienst Ersatzaufkleber anfordern.



WS2020



WS2021

GARANTIE

Auf dieses Produkt wird die auf den Erstkäufer beschränkte Garantie gewährt, dass es für einen Zeitraum von einem Jahr ab dem Kaufdatum bei normalem Gebrauch weder Material- noch Ausführungsmängel aufweist. MARSHALLTOWN verpflichtet sich, Teile, an denen Mängel festgestellt werden, ohne Berechnung von Material- oder Arbeitskosten zu reparieren oder zu ersetzen. Alle Kosten für den Versand von Ersatzteilen sind vom Käufer zu tragen.

Um den Garantiedienst in Anspruch nehmen zu können, muss das Produkt mit einem das Kaufdatum ausweisenden Beleg an MARSHALLTOWN geschickt werden. Wenden Sie sich an den MARSHALLTOWN-Kundendienst, um sich zur optimalen Versandmethode des unter Garantieschutz stehenden Produkts beraten zu lassen. Die Zustellung des Produkts muss spätestens 30 Tage nach Ablauf der Garantiezeit erfolgen.

Alle stillschweigenden Garantien, darunter Garantien der Marktgängigkeit und Eignung zu einem bestimmten Zweck, sind auf einen Zeitraum von einem Jahr ab dem Datum des Kaufs durch den Einzelhandels-Erstkunden und im gesetzlich zulässigen Umfang beschränkt; nach Ablauf dieser Frist sind alle stillschweigenden Garantien ausgeschlossen und werden abgelehnt.

Bestimmte Rechtsprechungen gestatten keine zeitlichen Beschränkungen stillschweigender Garantien oder keine Ausschlüsse oder Beschränkungen von Ersatzansprüchen infolge von Neben- oder Folgeschäden, weshalb die oben genannten Beschränkungen oder Ausschlüsse gegebenenfalls nicht auf Sie zutreffen. Diese Garantie gewährt Ihnen bestimmte Rechte. Darüber hinaus verfügen Sie je nach Rechtsprechung gegebenenfalls noch über weitere Rechte.

Ausschlüsse von dieser Garantie:

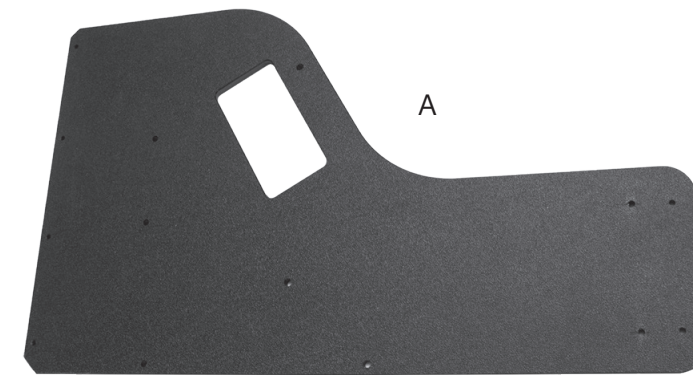
1. Ersatzansprüche für Folgeschäden, einschließlich der Kosten der Abholung und Lieferung des Geräts, der Kommunikation, Fahrkosten und/oder der Anmietung eines Ersatzgeräts während einer Reparatur, fallen nicht unter diese Garantie. Dies gilt auch für Einkommensausfälle und/oder sonstige Verluste, die auf einen Funktionsausfall des Produkts infolge eines von der Garantie gedeckten Fehlers zurückzuführen sind.
2. Diese Garantie ist nichtig, wenn das Produkt infolge von Missbrauch, normalem Verschleiß, Fahrlässigkeit, unsachgemäßer Wartung, Unfällen oder Transportschäden funktionsunfähig wird, nicht gemäß den Anweisungen in der Bedienungsanleitung betrieben und gewartet wurde oder ohne Genehmigung der werkseigenen Kundendienstabteilung modifiziert wurde.
3. Teile oder Produkte dürfen ohne vorherige Genehmigung des Werks nicht an dieses zurückgeschickt werden.

ZUSAMMENBAU

1. Alle Teile zurechtlegen.

Werkzeug für den Zusammenbau:

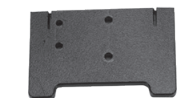
- Kreuzschlitzschraubendreher Nr. 2 (nicht im Lieferumfang enthalten)
- $\frac{5}{32}$ " Sechskantschlüssel (im Lieferumfang enthalten)
- $\frac{7}{32}$ " Sechskantschlüssel (im Lieferumfang enthalten)



A



F



B



C



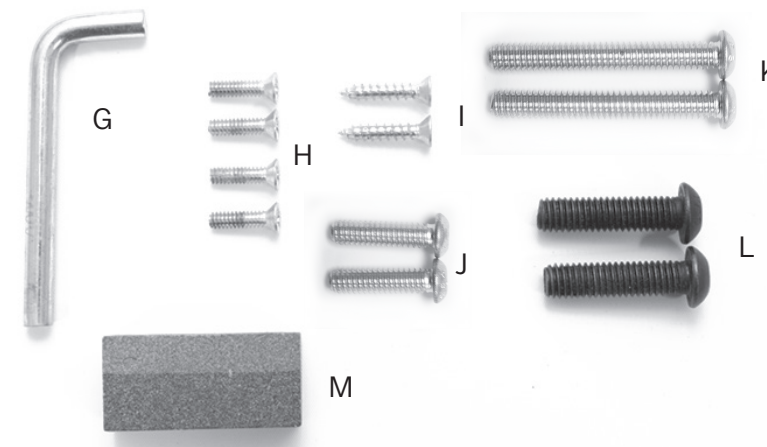
D



E

- A. Auflage
- B. Stehplatte
- C. Auflagenstrebe
- D. Griff
- E. Auflagen-Führungslinieal
- F. Schneideinheit

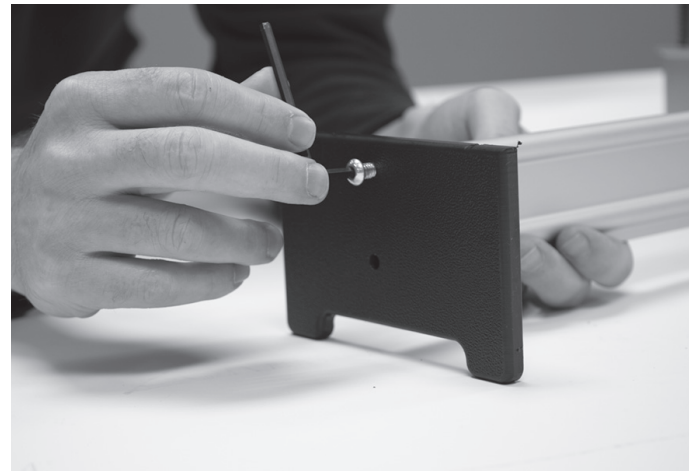
2. Alle Befestigungsteile zurechtlegen.



- G. Cam-Lock-Stift (1x)
- H. Senkschraube mit Kreuzschlitz Nr. 2, 10-24 X $\frac{3}{4}$ " (4x)
- I. Senkschraube Nr. 10 mit Kreuzschlitz Nr. 2, 1" lang (2x)
- J. $\frac{5}{32}$ " Sechskant-Halbrundkopfschraube, $\frac{1}{4}$ "-20 X 1" (2x)
- K. $\frac{5}{32}$ " Sechskant-Halbrundkopfschraube, $\frac{1}{4}$ "-20 X 2" (2x)
- L. $\frac{7}{32}$ " Sechskant-Halbrundkopfschraube, $\frac{3}{8}$ "-16 X $1\frac{1}{4}$ " (2x)
- M. Honstein (1x)



3. Auflagenstrebe (C) und Schneideinheit (F) mit Schraubensatz (K) befestigen.



4. Stehplatte (B) mit Schraubensatz (J) an der anderen Seite der Auflagenstrebe (C) befestigen.



5. Auflage (A) mit Schraubensatz (I) für die Rückseite und Schraubensatz (H) für die Vorderseite an der Schneideinheit (F) befestigen.



6. Griffauflage oben auf der Schneideinheit (F) drehen und Verriegelungsstift (G) in die Seite einsetzen.



7. Griff (D) mit Schraubensatz (L) an der Griffauflage befestigen.



8. Auflagen-Führungslinial (E) in die Löcher auf der rechten Seite der Auflage (A) einsetzen.

BEDIENUNG DES PRODUKTS



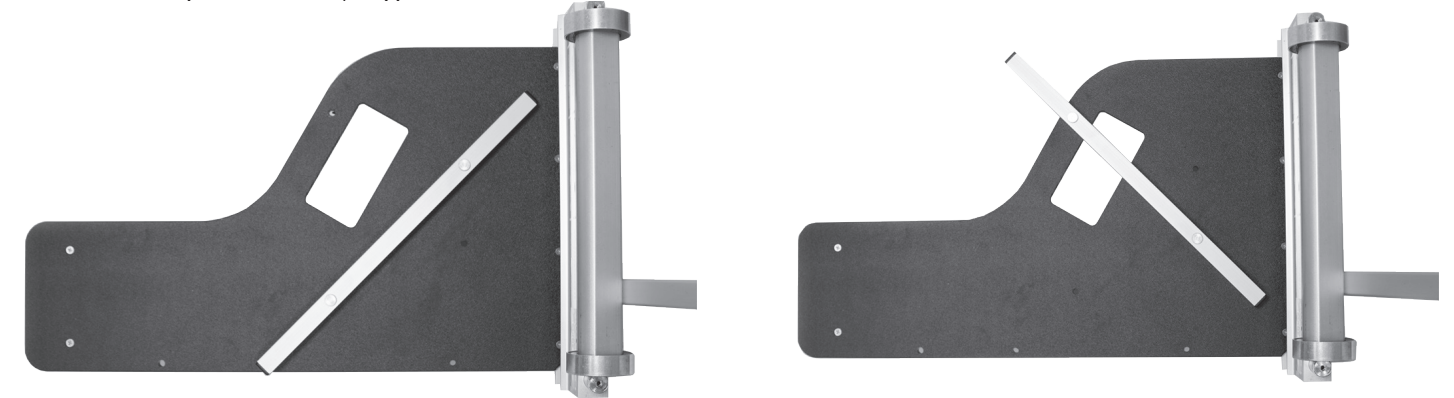
1. Den Griff nach unten drücken und vorsichtig den Cam-Lock-Stift entfernen. Den Griff vorsichtig anheben und loslassen.



2. Das zu schneidende Material so auf den Tisch legen, dass die bearbeitete Oberfläche nach oben zeigt, und dann entlang des Schneidmessers bis zur gewünschten Länge schieben. Den Bodenbelag gegen das Auflagen-Führungslinial drücken und gut festhalten, um einen sauberen und präzisen Schnitt zu gewährleisten. Den Griff nach unten drücken, bis das Schneidmesser das Material berührt. Dann den Griff kräftig nach unten drücken, bis das Material durchgeschnitten ist.

45-GRAD-SCHNITTE

1. Das Auflagen-Führungslinial kräftig nach oben wegziehen. Das Führungslinial in eines der dem gewünschten Schnitt entsprechenden, angewinkelten Löcher einsetzen.



DOPPELSCHNITT

Um bei bestimmten Materialien einen sauberen Schnitt zu erzielen, ist gegebenenfalls die Doppelschnittmethode anzuwenden. Bei diesen Materialien ist der erste Schnitt in einem Abstand von ca. 6 mm von der eigentlich vorgesehenen Schnittlinie auszuführen. Der zweite Schnitt ist dann direkt an der Schnittlinie auszuführen. Mit dieser Methode lassen sich bei manchen Materialien sauberere Schnitte erzielen.

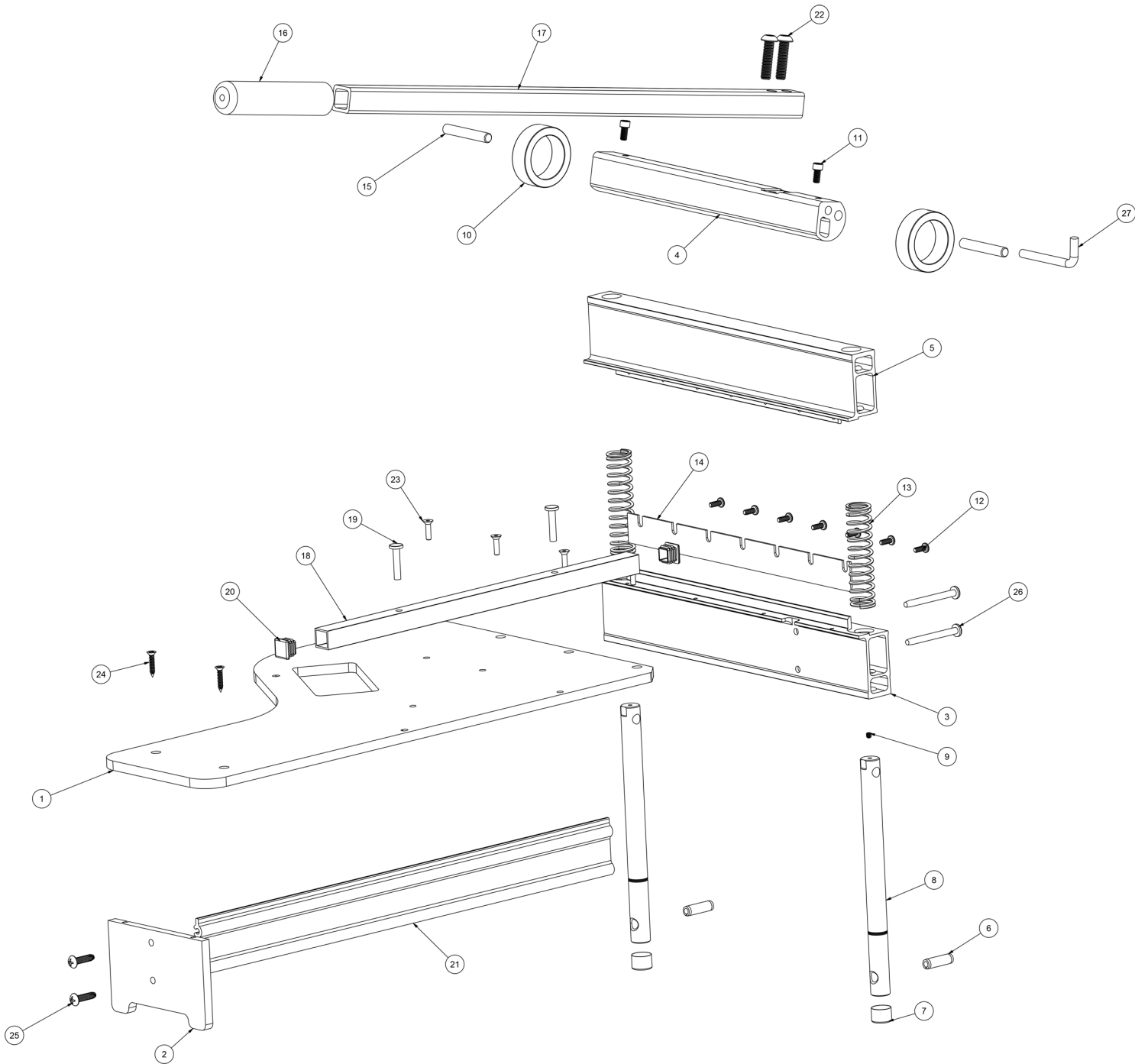
SCHNEIDANLEITUNG

Der MARSHALLTOWN-Hebelschneider für Bodenbeläge wurde zum Schneiden von vielen verschiedenen Materialien entwickelt. So eignet er sich beispielsweise für häufig verwendete Materialien wie Laminat, Hartholzwerkstoffe, Luxus-Vinylfliesen, Luxus-Vinylplanken, Vinyl-Verbundstofffliesen, Faserzementplatten-Hausverkleidungen und andere.

Hinweis: KEINEN Versuch unternehmen, Massivholz, Hochdrucklaminat oder Hartholzwerkstoffe mit einem Janka-Härtewert von über 1200 oder einer über AC4 liegenden Abriebklasse zu schneiden.

Hinweis: Auch die für das Gerät geeigneten Materialien können deutliche Unterschiede bzgl. ihrer Dichte und Härte aufweisen. Wenn zum Schneiden eines Materials ein extrem hoher Kraftaufwand erforderlich ist, ist die Arbeit sofort einzustellen, um mögliche Beschädigungen des Hebelschneiders und Verletzungen zu vermeiden. Bei jedem Versuch, nicht für das Gerät geeignete Materialien zu schneiden, wird die Garantie ungültig.

TEILEAUFSCHLÜSSELUNG



TEILEAUFSCHLÜSSELUNG

NR.	BESCHREIBUNG	NR.	Anzahl
1	AUFLAGE - LEICHTER HEBELSCHNEIDER, 330 mm	R4588	1
2	STEHPLATTE - LEICHTER HEBELSCHNEIDER, 330 mm	R4592	1
3	DRUCKFESTER TRÄGER - LEICHTER HEBELSCHNEIDER, 330 mm	R5870	1
4	CAM-LOCK-LEISTE - LEICHTER HEBELSCHNEIDER, 330 mm	R5872	1
5	MESSERTRÄGER - LEICHTER HEBELSCHNEIDER, 330 mm	R5871	1
6	FEDERSTIFT, VERZINKT, GESCHLITZT, 0,375" Ø X 1¼" LÄNGE	WR1379	2
7	¾" ENDKAPPE, RUND	WL793	2
8	FÜHRUNGSSTAB - LEICHTER HEBELSCHNEIDER, 330 mm	WU913	2
9	STELLSCHRAUBE - 10-24 UNC, ¾" LÄNGE	WR1377	2
10	LAGERBAUGRUPPE - LWFS13	R7363	2
11	INNENSECHSKANTSCHRAUBE, ¼-20 X ½"	WR1427	2
12	FLACHKOPF-KREUZSCHLITZ-MASCHINENSCHRAUBE, 10- 24 X ½" Z	WR1158	7
13	DRUCKFEDER - 0,970" AD x 4" LÄNGE, 97 kPa	WR1634	2
14	SCHNEIDMESSER - LEICHTER HEBELSCHNEIDER, 330 mm	LWFS13B	1
15	CAM-LOCK-STIFT, VERZINKT	WU905	2
16	1½" HANDGRIFF (ZUR VERWENDUNG MIT BESTELL-NR. 133456)	WT507	1
17	GRIFF - LEICHTER HEBELSCHNEIDER, 330 mm	R5869	1
18	FÜHRUNGSLINEAL - LEICHTER HEBELSCHNEIDER, 330 mm	R4589-010	1
19	¼ x 1¼ AL-FLACHKOPFNIET, MASSIV	WR1553	2
20	QUADRATISCHER KUNSTSTOFFVERSCHLUSS	WL710	2
21	AUFLAGENSTREBE - LEICHTER HEBELSCHNEIDER, 330 mm	WC947	1
22	HALBRUNDKOPFSCHRAUBE ¾-16 X 1¼" LANG, VERZINKT	WR1443	2
23	SENKKOPFSCHRAUBE, 10-24 UNC, ¾" LÄNGE	WR1384	4
24	KREUZSCHLITZ-SENKSCHRAUBE NR. 10 - 1" LÄNGE	WR1381	2
25	HALBRUNDKOPFSCHRAUBE ¼ - 20 X 1"	WR1490	2
26	HALBRUNDKOPFSCHRAUBE ¼ - 20 X 2"	WR1491	2
27	CAM-LOCK, VERZINKT	WU904	1

ERSATZTEILE

NR.	BESCHREIBUNG	EDI	NR.
2	GRIFF - FS13	R4529	R4529
10	LAGERBAUGRUPPE - LWFS213	R7363	R7363
21	AUFLAGENSTREBEN-EXTRUSION - FS13	WC947	WC947
12	FLACHKOPF-KREUZSCHLITZ-MASCHINENSCHRAUBE, 10-24 X 1/2" Z	WR1158	WR1158
9	STELLSCHRAUBE 10-24 UNC, 0,1875" LÄNGE	WR1377	WR1377
23	SENKKOPFSCHRAUBE 10-24 UNC, 0,75" LÄNGE	WR1384	WR1384
15	CAM-LOCK-STIFT - FS13 - VERZINKT	WU905	WU905


WARTUNG

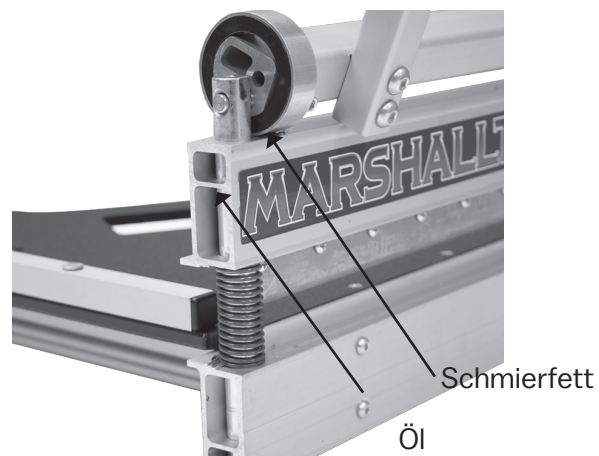
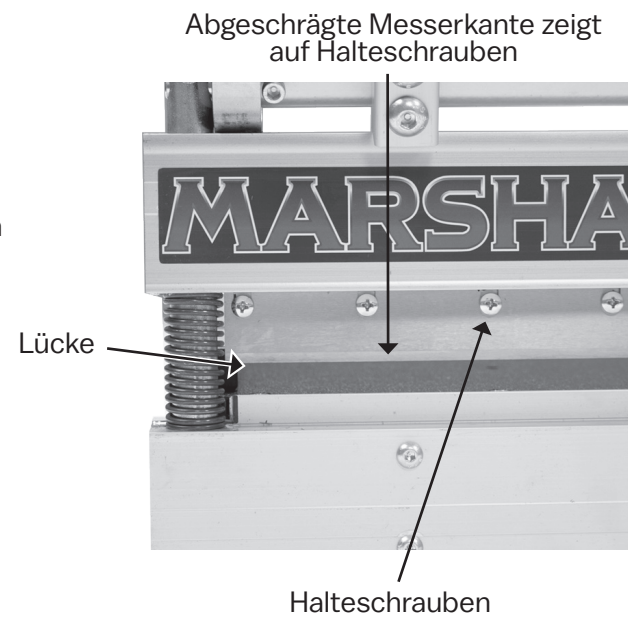
Honen des Messers

Drücken Sie den Griff so weit nach unten, bis sich die Messerklinge 3 mm über der Tischfläche befindet. Halten Sie den im Lieferumfang enthaltenen Honstein (M) gegen die flache Seite der Klinge. Ziehen Sie den Honstein 3-4 Mal von einem Ende der Messerklinge zur anderen. Dadurch werden etwaige Grate von der Klinge entfernt. Dieses Verfahren sollte nach jeweils 100 Schnitten durchgeführt werden. Beim Honen der Klinge vorsichtig vorgehen. Die Klinge ist scharf und kann leicht Verletzungen verursachen. Daher wird beim Honen des Messers das Tragen von schnittfesten Handschuhen empfohlen.



Auswechseln des Messers

 Beim Auswechseln des Messers sind schnittfeste Handschuhe zu tragen. Schützen Sie die Schneidkante mit einem Klingenschutz oder einer anderen geeigneten Abdeckung. Legen Sie den Hebelschneider mit offenen Backen umgekehrt auf einer Werkbank ab, sodass eine Lücke für das Entfernen des Messers entsteht. Lockern Sie zum Entfernen des Messers die 7 Halteschrauben mit einem Kreuzschlitzschraubendreher Nr. 2 um eine volle Drehung nach links. Nach dem Lockern der letzten Schraube gleitet das Messer heraus. Entfernen Sie die Schrauben, wenn das Messer nicht von selbst herausgleitet. Schützen Sie die Schneidkante des neuen Messers mit einem Klingenschutz oder einer anderen geeigneten Abdeckung. Schieben Sie das neue Messer so in Position, dass die abgeschrägte Kante auf die Schrauben zeigt. Zentrieren Sie das Messer und achten Sie darauf, dass es vollständig eingesetzt wurde. Ziehen Sie die mittlere Schraube von Hand an. Ziehen Sie dann abschließend die restlichen Schrauben ebenfalls von Hand an.



Schmierung

Es wird empfohlen, den Hebelschneider nach jeweils 100 Schnitten zu schmieren. Tragen Sie an den in der nebenstehenden Abbildung gezeigten Stellen ein Leichtöl und Schmierfett (Radlagerfett) auf. Durch Schmieren des Hebelschneiders wird die Nutzungsdauer des Geräts verlängert und der Schneidvorgang vereinfacht.

FEHLERSUCHE UND -BEHEBUNG

PROBLEM	LÖSUNG
Hebelschneider schneidet das vorgesehene Material nicht.	In der Schneidanleitung in dieser Anleitung nachlesen, ob es sich um ein geeignetes Material handelt. Den MARSHALLTOWN-Kundendienst verständigen. Nicht versuchen, das Material unter hohem Kraftaufwand zu schneiden.
Hebelschneider hinterlässt schartige Kante am Bodenbelag.	Die Messerklinge nach der Beschreibung in dieser Anleitung mit einem Honstein sorgfältig ausbessern. Gegebenenfalls die in dieser Anleitung beschriebene Doppelschnittmethode anwenden.
Hebelschneider muss mit größerem Kraftaufwand als normal bedient werden.	Die Messerklinge nach der Beschreibung in dieser Anleitung mit einem Honstein sorgfältig ausbessern. Den Hebelschneider gemäß den Hinweisen im Wartungsabschnitt dieser Anleitung ölen und einfetten.



104 S. 8th Ave., Marshalltown, Iowa
Tel.: +1 800-888-0127 / +1 641-753-0127
Fax: +1 800-477-6341 / +1 641-753-6341
www.MARSHALLTOWN.com
WS2690revB