

QUICKSTART GUIDE

Read Before Use!

SharpShooter

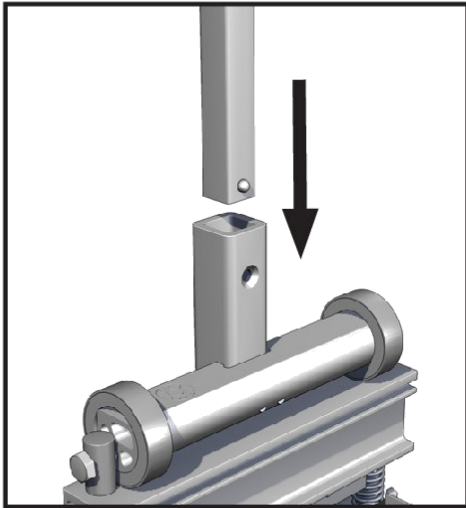


MULTI-PURPOSE CUTTER

Model #009

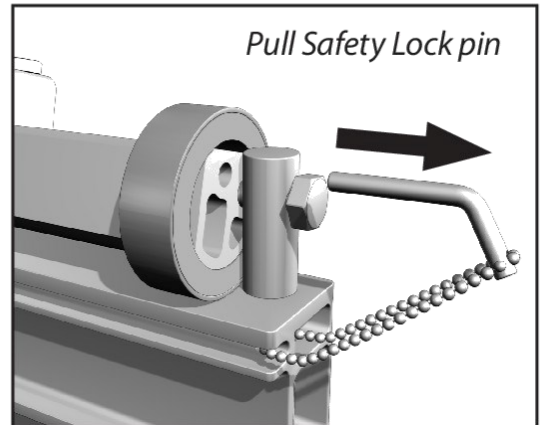
1

Insert handle into handle base until lock button clicks.



2

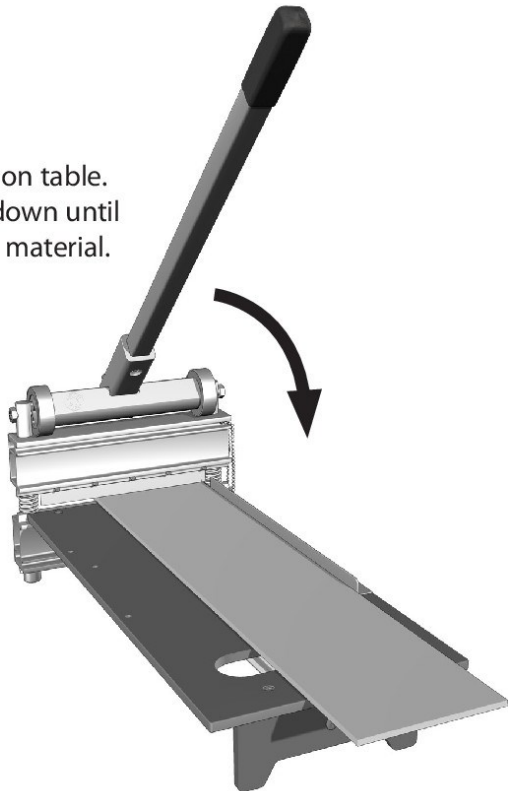
Gently push handle down, pull Safety Lock pin out, lift handle.



PROUDLY MADE IN THE USA

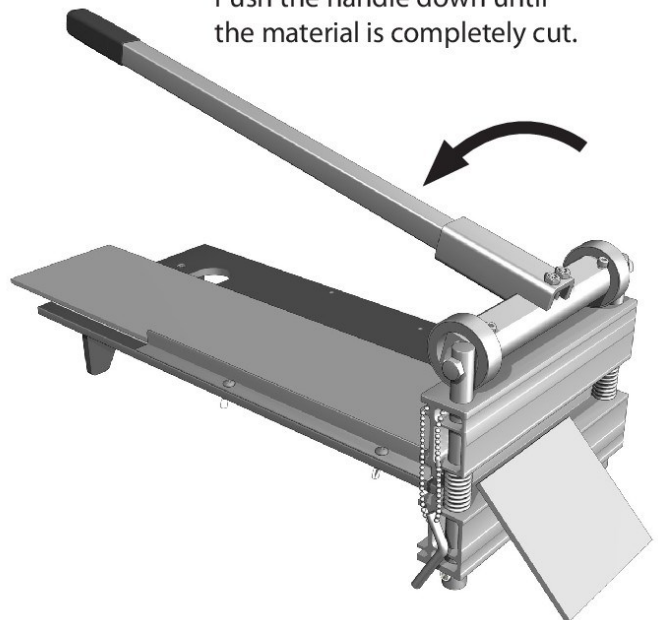
3

Place product on table. Bring handle down until blade touches material.



4

Push the handle down until the material is completely cut.



For warranty information
& cut guide, visit BulletTools.com



BULLET TOOLS™
Cutting-Edge Solutions for Tradesmen

PRT-INS-Q009 Rev.A.11.16 ©2016 Bullet Tools