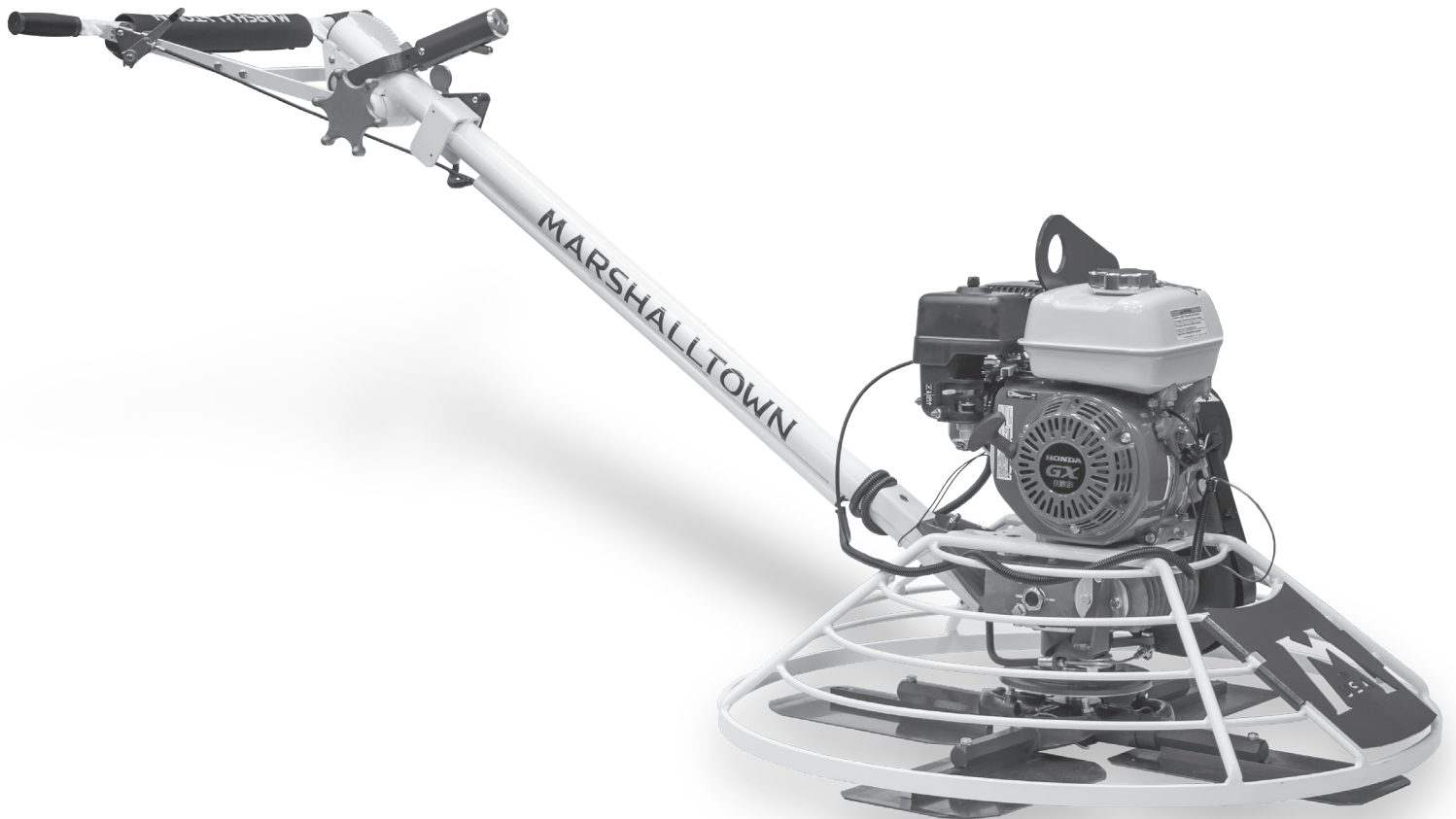




36" AND 46"

MARSHALLTOWN POWER TROWELS

Includes Models M4611(RP), M469(RP), M365E(RP), M365(RP), M369(RP)



104 S. 8th Ave. | Marshalltown, IA
Phone 800-888-0127 / 641-753-0127 | Fax 800-477-6341 / 641-753-6341
www.MARSHALLTOWN.com
WS1987revB

INTRODUCTION

Congratulations on your purchase of a MARSHALLTOWN Power Trowel. MARSHALLTOWN prides itself in producing the highest quality trowels for the professional and has applied the same research, design, and production principles to these walk-behind power trowels.

These powerful machines designed for finishing and floating come in 36" and 46" rotor sizes and are available with three different engine sizes. The 160-260cc engine is available on the 36", the 270-330cc engine is available on both sizes, and the 340-450cc engine is available on the 46".

This machine was built with user safety in mind, however, it can present hazards if improperly operated and serviced. Carefully read and follow all safety and operating instructions in this manual. Ensure every operator reads this manual before operating the unit. The replacement of any part with anything other than the manufacturer's authorized replacement part may adversely affect the performance, durability and safety of the product.

Be sure safety precautions are observed. Read and follow all safety and operating instructions in this operator's manual. The manufacturer reserves the right to make changes on or add improvements to its product at any time without prior notice or obligation. The manufacturer reserves the right to decide, upon its sole discretion and at any time, to discontinue this product.

Information regarding operation and maintenance of the engine can be found in a separate engine manual supplied with this trowel. The engine manual provides all the information required regarding engine adjustments, operation and maintenance. Should any questions arise concerning engine operation or service, contact the nearest engine repair facility or the engine manufacturer.

This manual covers all MARSHALLTOWN Power Trowel models and options. For technical questions or repair parts, please call MARSHALLTOWN customer service at 1-800-888-0127, 641-753-6341 or visit www.MARSHALLTOWN.com.

TABLE OF CONTENTS

INTRODUCTION.....	3
SAFETY PRECAUTIONS.....	4
SAFETY DECALS.....	5
WARRANTY INFO.....	5
SPECIFICATIONS.....	6
COMMON COMPONENTS.....	7
ASSEMBLY.....	8
PRE-OPERATION CHECKS.....	9
CONTROLS AND ACCESSORIES.....	9-10
FLOATING/FINISHING.....	11
TECHNICAL DATA.....	12
MAINTENANCE.....	12
CHANGING THE BLADES.....	13
ADJUSTING THE PITCH ARMS.....	13
PARTS BREAKDOWN	
GEARBOX.....	14-15
36" SPIDER ASSEMBLY.....	16
46" SPIDER ASSEMBLY.....	17
THRUST COLLAR ASSEMBLY.....	18
46" STABILIZER ASSEMBLY.....	19
FULL KNOB STYLE HANDLE ASSEMBLY.....	20-21
FULL KNOB STYLE HANDLE ASSEMBLY - PRE 2024.....	22-23
RAPID PITCH HANDLE TUBE ASSEMBLY.....	24-25
RAPID PITCH HANDLE TUBE ASSEMBLY - PRE 2024.....	26
36" BLADES.....	27
46" BLADES.....	27
36" & 46" GUARD RING.....	28
36" EDGER ROTATING RING.....	29
EDGER THRUST COLLAR ASSEMBLY.....	30
UPPER HANDLE ASSEMBLY.....	31
UPPER HANDLE ASSEMBLY - PRE 2024.....	32
DRIVE ASSEMBLY.....	33
TROUBLESHOOTING.....	35

SAFETY PRECAUTIONS



• WARNING safety signs are located near specific hazards.






• General precautions are listed on CAUTION safety signs.

- This notation appears before warnings in the text. It means that the step that follows must be carried out to avoid the possibility of personal injury or death. These warnings are intended to help the technician avoid any potential hazards encountered in the normal service procedures. We strongly recommend that the reader takes advantage of the information provided to prevent personal injury or injury to others.

THE FOLLOWING PRECAUTIONS ARE SUGGESTED TO HELP PREVENT ACCIDENTS. A CAREFUL OPERATOR IS THE BEST OPERATOR. MOST ACCIDENTS CAN BE AVOIDED BY OBSERVING CERTAIN PRECAUTIONS. READ AND TAKE THE FOLLOWING PRECAUTIONS BEFORE OPERATING THIS EQUIPMENT TO HELP PREVENT ACCIDENTS. EQUIPMENT SHOULD BE OPERATED ONLY BY THOSE WHO ARE RESPONSIBLE AND INSTRUCTED TO DO SO.



CALIFORNIA PROPOSITION 65 WARNING: Operation of this equipment and/or engine exhaust from this product contains chemicals known to the State of California to cause cancer, birth defects, or other reproductive harm.

- Read all operating and maintenance instructions before operating or servicing the machine
- Equipment is only as safe as its operator. Give complete and undivided attention to the operation of the equipment.
- Keep inexperienced and unauthorized people away from equipment at all times
- Know how to stop the equipment instantly.
- Test all safety switches before every use.
- Always have all guards and safety devices attached and in place before operating equipment.
-  **NEVER** Operate the power trowel with the blade access panel off or if the kill switch is not functioning properly
-  **Never reach into the guard ring while the trowel is running**
-  **Never let go of the power trowel or walk away from it while it is running**
- Always make sure engine is stopped with the switch in the “OFF” position before making any adjustments or putting hands or tools near the power trowel.
- Always make sure engine is in “OFF” position when servicing or not in use
- Keep the trowel in good condition. Loose or damaged parts are dangerous.
- Avoid loose clothing that could get caught in moving parts.
-  **Keep hands and feet away from moving parts.**
- Always allow ample time for the power trowel to cool before making any adjustments
- Do not smoke while refueling the engine. Ensure the engine is in the “off” position and allow it to cool before refueling. Do not spill fuel.
- **NEVER** operate the power trowel in confined areas without ample ventilation.
- Keep all warning, caution and safety instruction labels in good condition. Replace missing, damaged or illegible labels.
- **DO NOT OPERATE** this power trowel under the influence of alcohol or while taking medication that impairs your reactions.
- Never sit or ride on the power trowel.
- Always properly secure machine before transporting
- Always follow recommended maintenance schedules
- Use factory authorized parts for replacement.
- Never try to lift unit by yourself.
- Wear safety glasses and hearing protection while operating the power trowel.
- Wear proper protective clothing while operating trowel, including eye, ear, and clothing.
- Clear the work area around the machine to prevent tripping or falling onto the power trowel.
- Do not operate the power trowel on extreme inclines.

SAFETY DECALS

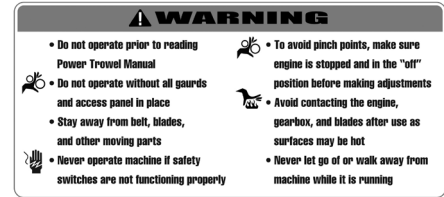
If your safety and operating decals are damaged, they can be replaced by contacting Customer Service.



WS1250



WS1984



WS1985

MARSHALLTOWN

WS1988

2-YEAR POWER TROWEL WARRANTY

This product is warranted to the original purchaser only to be free of defects in material and workmanship, under normal use and servicing, for a period of 2 years from the purchase date, excluding the engine. Warranty on the engine is limited to the warranty extended by the engine manufacturer and any warranty claims related to the engine should be directed to the engine manufacturer. MARSHALLTOWN Company's sole obligation under this warranty is limited to the replacement or repair of the product or covered part(s) at no charge delivered to you F.O.B standard ground rates from its designated facility if the product is determined upon inspection by MARSHALLTOWN Company to have been defective in materials or workmanship. MARSHALLTOWN Company's warranty for replacement parts will extend for the duration of the original product warranty.

This warranty will not apply when the product becomes damaged or inoperative due to misuse, abuse, normal wear and tear, neglect, improper maintenance, accident, or freight damage; if the product has not been operated and maintained in accordance with the instructions furnished in the Operator's Manual; or when the product has been altered or modified without approval from MARSHALLTOWN Company.

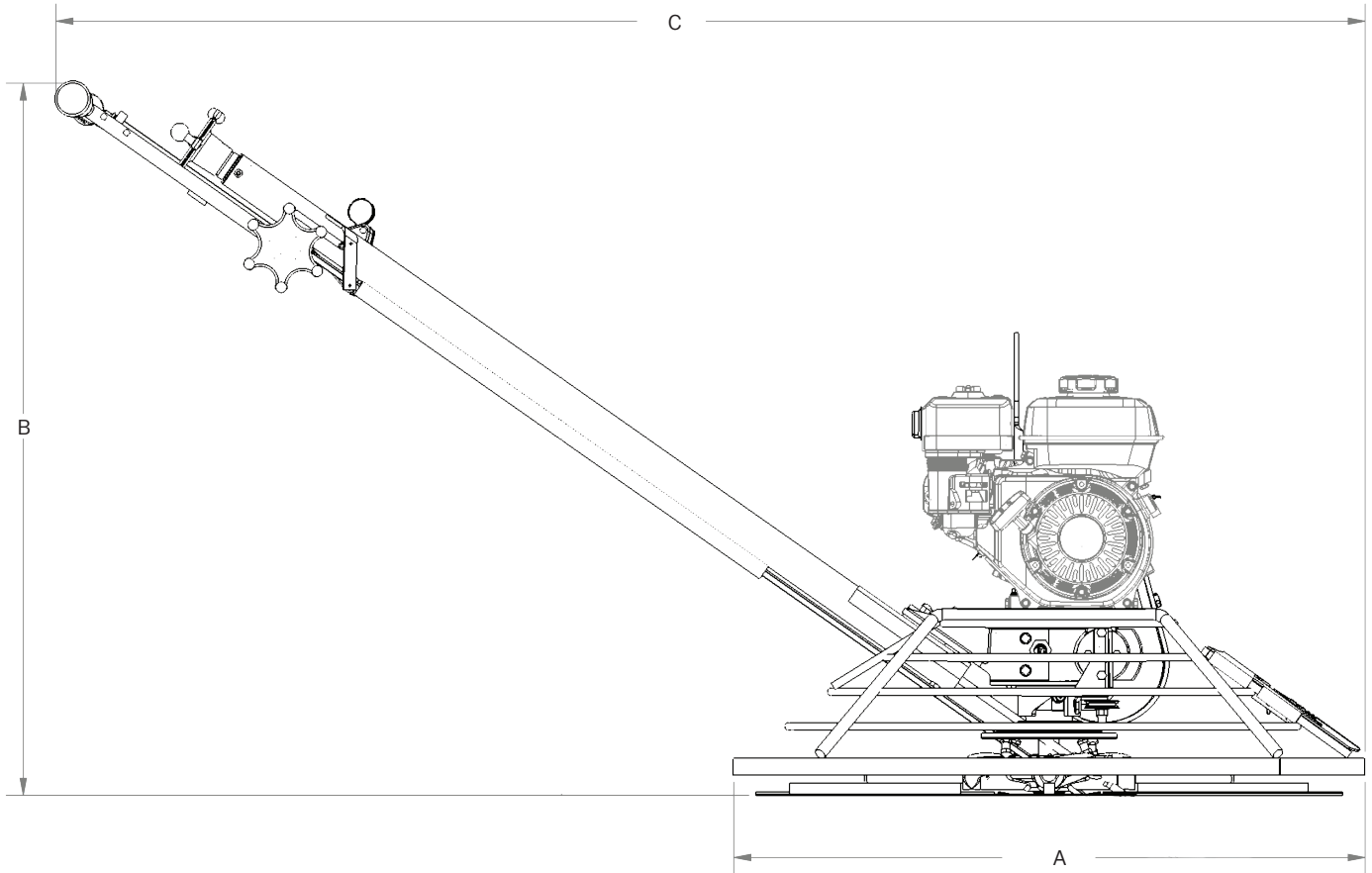
Under no circumstances shall MARSHALLTOWN Company be responsible or liable for any consequential, special, or punitive damages, pickup and delivery of the unit, inbound shipping charges to MARSHALLTOWN Company's service facility, rental charges for a replacement unit, loss of income, or other loss resulting from the failure of the product to function properly because of a defect in material or workmanship covered under this warranty.

There are no warranties which extend beyond the description of this warranty. No employee or agent of MARSHALLTOWN Company has the authority to modify this warranty.

If you wish to make a warranty claim, contact Customer Service at 1-800-888-0127 for return authorization and instructions.

THE FOREGOING LIMITED WARRANTIES ARE EXCLUSIVE AND ARE GIVEN AND ACCEPTED IN LIEU OF ANY AND ALL OTHER WARRANTIES EXPRESS OR IMPLIED, INCLUDING WITHOUT LIMITATION, IMPLIED WARRANTIES OF MERCHANTABILITY AND FITNESS FOR A PARTICULAR PURPOSE, AND ALL OTHER REMEDIES. MARSHALLTOWN COMPANY'S TOTAL LIABILITY ARISING OUT OF SUPPLYING AND THE USE OF THE EQUIPMENT, WHETHER BASED ON A CLAIM OF WARRANTY, NEGLIGENCE, OR OTHERWISE, SHALL NOT EXCEED THE COST PAID BY YOU FOR THE EQUIPMENT.

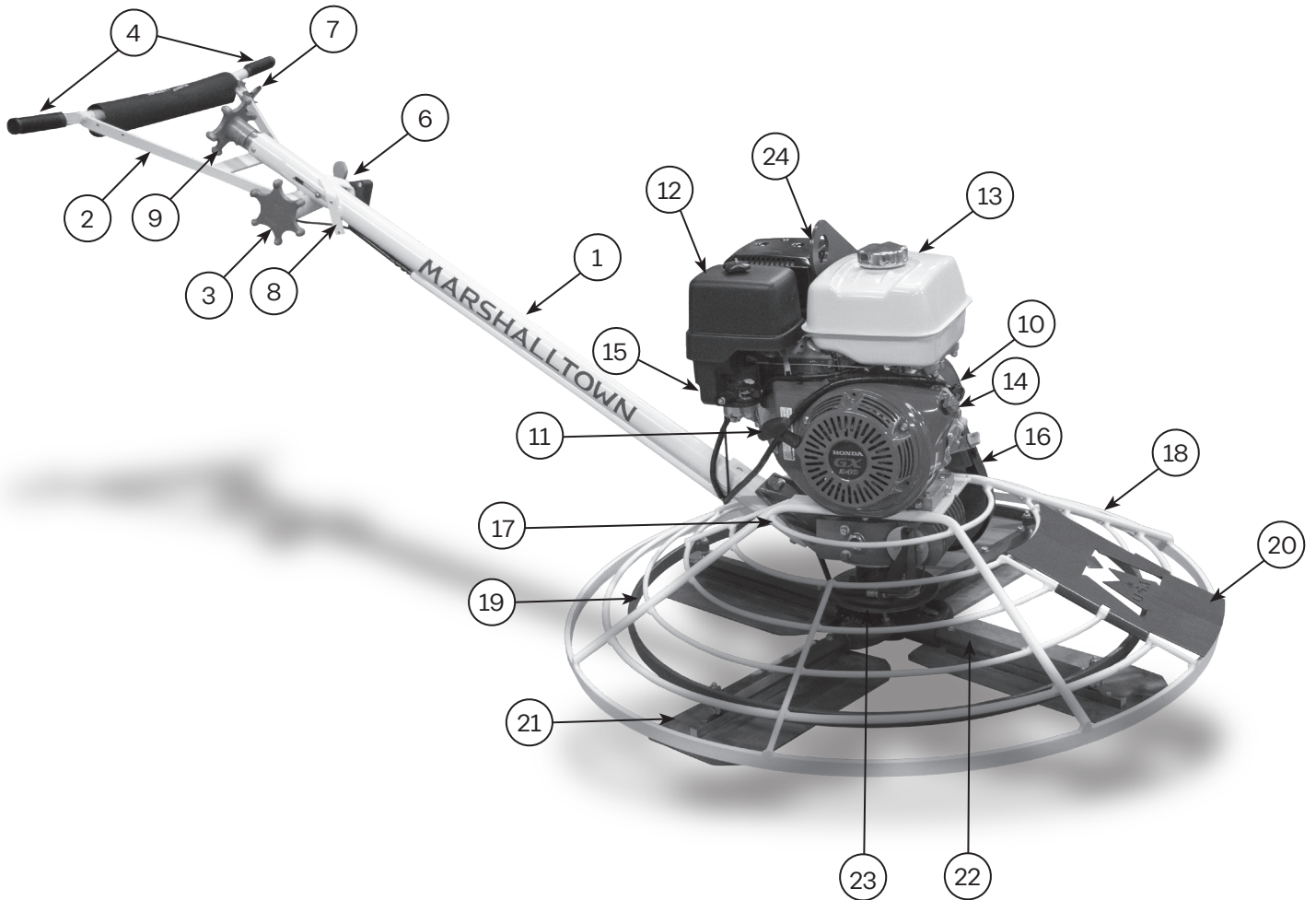
SPECIFICATIONS



PART #	STYLE	ENGINE CC	HANDLE STYLE	"A" WIDTH IN (MM)"	"B" HEIGHT IN (MM)"	"C" LENGTH IN (MM)"	ROTOR RPM	WEIGHT LBS (KG)
M4611	TROWEL	340-450	KNOB STYLE	46 (1168)	41.64 (1058)	81.13 (2061)	50-130	288
M469	TROWEL	270-330	KNOB STYLE	46 (1168)	41.64 (1058)	81.13 (2061)	50-130	274
M369	TROWEL	270-330	KNOB STYLE	36.94 (938)	41.64 (1058)	76.6 (1946)	50-130	257
M365	TROWEL	160-260	KNOB STYLE	36.94 (938)	41.64 (1058)	76.6 (1946)	50-130	219
M365E	EDGER	160-260	KNOB STYLE	35.06 (891)	41.64 (1058)	75.66 (1922)	50-130	216
M4611RP	TROWEL	340-450	RAPID PITCH	46 (1168)	41.64 (1058)	81.13 (2061)	50-130	294
M469RP	TROWEL	270-330	RAPID PITCH	46 (1168)	41.64 (1058)	81.13 (2061)	50-130	280
M369RP	TROWEL	270-330	RAPID PITCH	36.94 (938)	41.64 (1058)	76.6 (1946)	50-130	263
M365RP	TROWEL	160-260	RAPID PITCH	36.94 (938)	41.64 (1058)	76.6 (1946)	50-130	225
M365ERP	EDGER	160-260	RAPID PITCH	35.06 (891)	41.64 (1058)	75.66 (1922)	50-130	222

COMMON COMPONENTS

1. Handle tube
2. Handle bar
3. Handle bar adjustment
4. Handle grip
6. Centrifugal safety switch
7. Throttle
8. Mounting for bicycle bottle holder
9. Pitch adjustment
10. Engine
11. Recoil starter
12. Air filter
13. Gas tank
14. On/Off switch
15. Fuel valve lever and choke
16. Belt guard
17. Gearbox
18. Guard Ring
19. Stabilizing ring (46" only)
20. Blade access panel
21. Blades
22. Trowel arm
23. Thrust plate
24. Lifting plate



ASSEMBLY

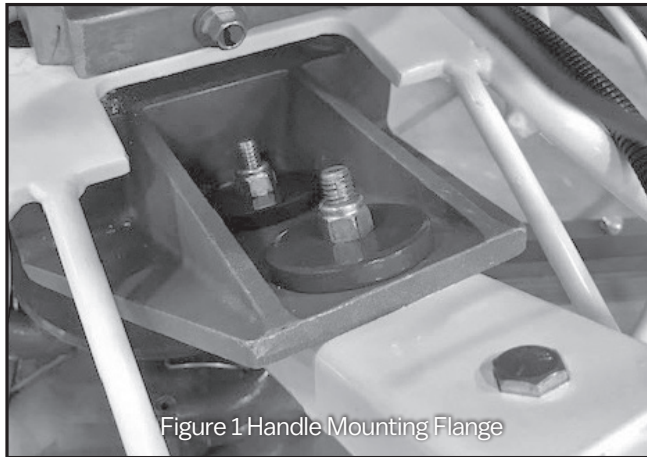


Figure 1 Handle Mounting Flange

Attaching the handle to the machine

Place the spacers in the mounting flange and position the handle below the flange. Align the holes and insert the bolts through the bottom of the handle, through the spacers, and tighten the nuts on the top side to 35 ft-lbs. (Figure 1)

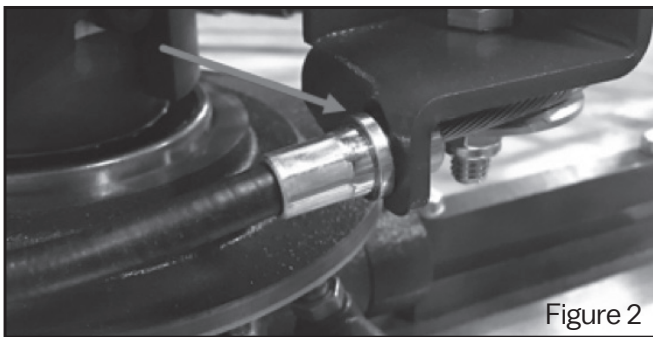


Figure 2

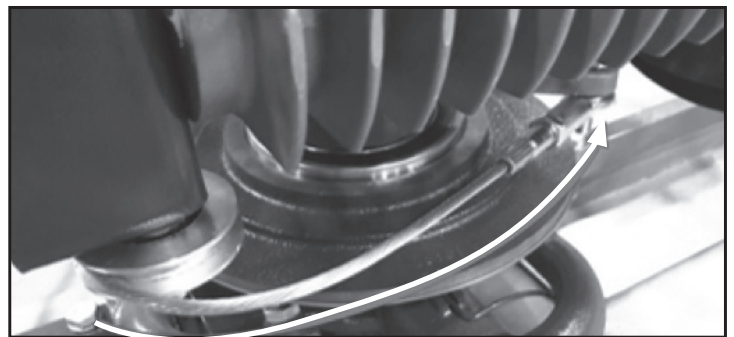


Figure 3

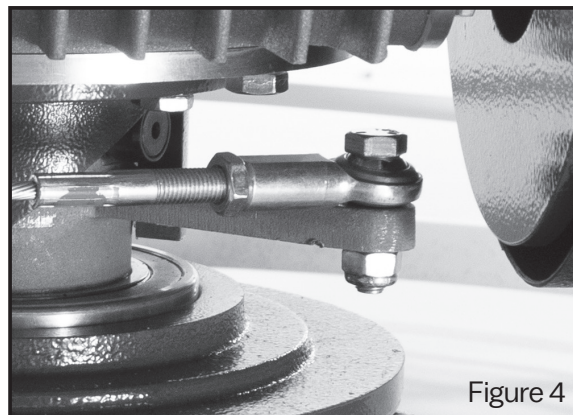


Figure 4

Attaching the pitch cable to the cam lever

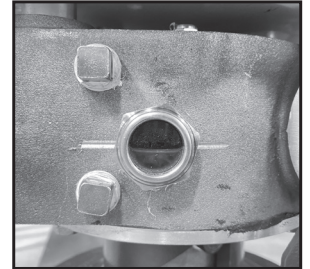
Find the pitch cable and insert the boss into the pitch bracket (Figure 2). Guide the cable around the pulley (Figure 3) and toward the cam lever (Figure 4). Place bolt through the rod end eye and the cam lever and tighten the nut to the bolt

See provided engine throttle cable instructions to complete assembly

PRE-OPERATIONAL CHECKS

The following steps should be taken prior to using the power trowel:

1. The operator must be familiar with the location and operation of all controls.
2. The unit ships with oil, but check the crankcase oil and fill the fuel tank before starting. Read and understand the engine manual supplied with this machine regarding adjustments, operation, and maintenance before operating this machine.
3. On serial numbers 9107 and higher, ensure gearbox oil level is visible in sight glass but below the engraved line (see photo). For units with serial number lower than 9107, remove sight glass and fill until oil reaches bottom of hole.
4. Check the fuel filter and inspect air filter
5. Check both safety switches and electrical connections.
6. Check nuts and bolts to ensure nothing has loosened during shipping.



CONTROLS AND ACCESSORIES

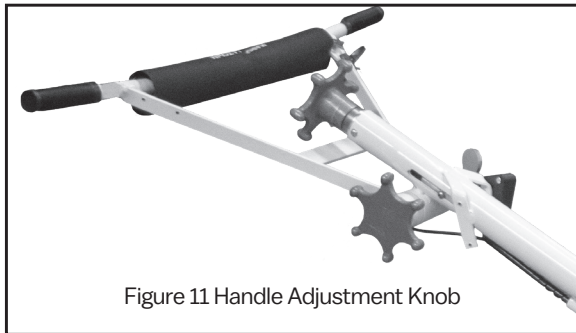


Figure 11 Handle Adjustment Knob

Handles

The handle bar is adjusted by simply unscrewing the adjustment knob attached to the handle and moving the handle to the preferred height (Figure 11)

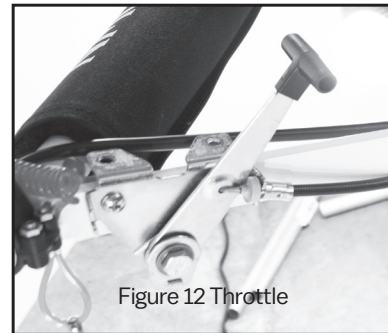


Figure 12 Throttle

Throttle

Throttle should be in the furthest forward position before starting the trowel. Failure to do so will cause trowel blades to rotate upon starting. Once started pull throttle towards you to start/increase rotation of blades.



Figure 13 Centrifugal Safety Switch

Centrifugal Safety Switch

The weight within the safety switch must be able to move freely without obstruction forward and backwards. Test the safety switch before every use. Failure to have a free moving or properly functioning switch will inhibit the switch from working as intended. Push the weight away from you so that it is closer to the engine before starting the trowel.

CONTROLS AND ACCESSORIES CONT.



Figure 16 Knob Style Pitching Handle

Knob Pitching System

Turn the knob clockwise to increase the angle of the blades and turn them counterclockwise to decrease the angle of the blades.

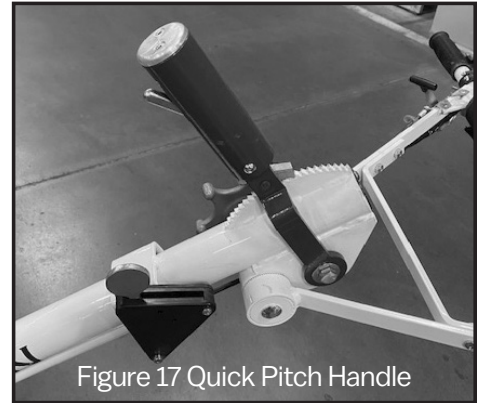


Figure 17 Quick Pitch Handle

Rapid Pitching System

Engage the release lever and pull the pitching lever towards you to increase the angle of the blades and push the lever away from you towards the front of the machine to decrease the angle of the blades.



Figure 18 Bottle Holder Mounting Pad

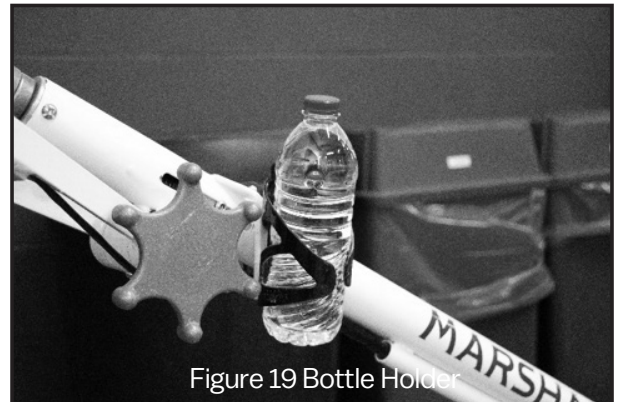


Figure 19 Bottle Holder

Bottle Holder Mounting Pad

There are two tapped holes opposite of the centrifugal safety switch that will accept any standard bicycle bottle holder. This can be used to hold a spray bottle to wet the concrete as it sets-up.

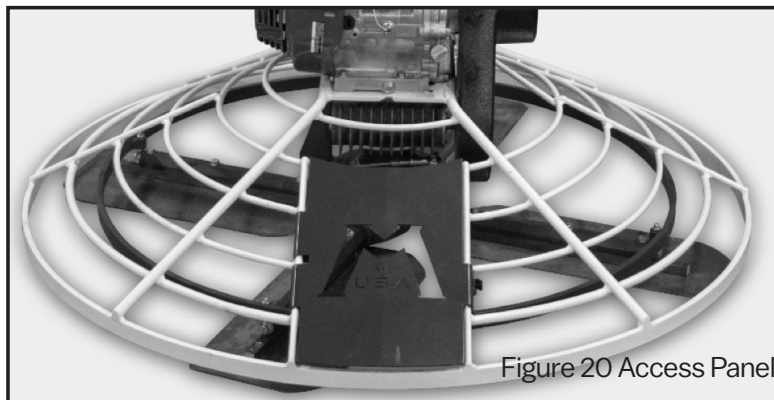


Figure 20 Access Panel

Blade Access Panel

The access panel screw can be found on the right side of the panel. Loosened the screw and swing the panel to the left to easily access the blades. Close the panel and tighten the screw before running the machine.

See engine manual for engine operation and maintenance procedures

FLOATING/FINISHING

MARSHALLTOWN trowels come with combination blades installed. These blades can be used to float and finish. Combination blades or a float pan can be used to float wet concrete to increase the flatness of the slab. Combination and finish blades can be used to finish the slab once the concrete starts to set up and the surface is ready to take a finish.

1. Place the trowel on the concrete and start the engine.
2. Slowly increase engine RPM by pulling the throttle lever towards you until the blades/pan start(s) to spin.
3. Adjust the speed to the desired rotation
4. If using blades, pitch the blades to the desired angle. If using a pan, the blades should be flat on the surface of the pan.
5. While slowly and gently pulling the machine backwards, push down on the handle to move the cage to the right and pull up on the handle to move the cage left.
6. Use caution around pipes, walls, obstacles and the edge of the forms. If you have an edger machine the cage on the machine will rotate while up against walls to help prevent damage.
7. Use until the desired surface is obtained.

RECOMMENDED SPARE PARTS

DESCRIPTION	EDI	QTY
GEARBOX INPUT GASKET/SEAL KIT	28907	1
GEARBOX INPUT BEARING KIT	28908	1
GEARBOX OUTPUT GASKET/SEAL KIT	28909	1
GEARBOX OUTPUT BEARING KIT	28910	1
36" TROWEL ARM	28911	1
46" TROWEL ARM	28912	1
TROWEL ARM BUSHING	28913	2
THRUST BEARING KIT	28914	1
THROTTLE ASSEMBLY	28915	1
CENTRIFUGAL SAFETY SWITCH ASSEMBLY	28916	2
SPACER, GEARBOX	28917	2
PITCH CABLE	28918	1
HANDLE GRIP	28919	2
BELT GUARD	28921	1
V-BELT (270-450cc)	28922	2
V-BELT (160-260cc)	28923	2
GEARBOX LUBRICANT 0.75L	28928	1
SEE ENGINE MANUAL FOR SUGGESTED ENGINE SPARE PARTS	NA	NA

TECHNICAL DATA

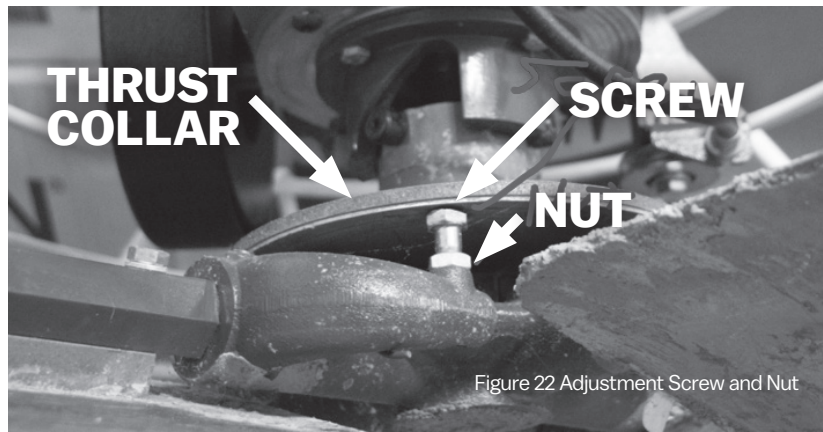
ENGINE	240-450CC	270-330CC	160-260CC
WEIGHT (LBS)	70-78	57-71	33-40
DISPLACEMENT CM ³	340-450	270-330	160-260
OIL CAPACITY US QT	0.9-1.2	0.8-1.4	0.5-0.6
FUEL TANK CAPACITY US GAL.	1.5-1.7	1.4-1.7	0.8-1.0
FUEL	86 OCTANE OR HIGHER		
SPARK PLUG	SEE ENGINE MANUAL		
ENGINE OIL	SAE 10W30		
GEARBOX OIL	Mobil SHC 634		

MAINTENANCE

CHECK OIL LEVEL	BEFORE EACH USE
CHANGE ENGINE OIL	FIRST MONTH OR 10 HRS. - 6 MO. OR 50 HRS AFTER
CHECK GEARBOX OIL	EVERY 25 HOURS OR EVERY 3 MONTHS
CHANGE GEARBOX OIL	100 HOURS
CHECK FUEL LEVEL	BEFORE EACH USE
CHECK AIR FILTER	BEFORE EACH USE
CHECK BLADES	BEFORE EACH USE
CHANGE BLADES	AS NEEDED
CHECK BELT	EVERY 25 HOURS OR EVERY 3 MONTHS
CHANGE BELT	AS NEEDED
CHECK THROTTLE AND PITCH CABLES	EVERY 100 HOURS OR 1 YEAR
REPLACE AIR FILTER	EVERY 25 HOURS OR EVERY 3 MONTHS
SPARK PLUG - CHECK AND ADJUST	EVERY 100 HOURS OR 1 YEAR
SPARK PLUG - REPLACE	EVERY 300 HOURS OR 2 YEARS
ELECTRONIC CONNECTIONS	BEFORE EACH USE
CHECK NUTS AND BOLTS	BEFORE EACH USE
CHECK SAFETY SWITCHES	BEFORE EACH USE

CHANGING THE BLADES

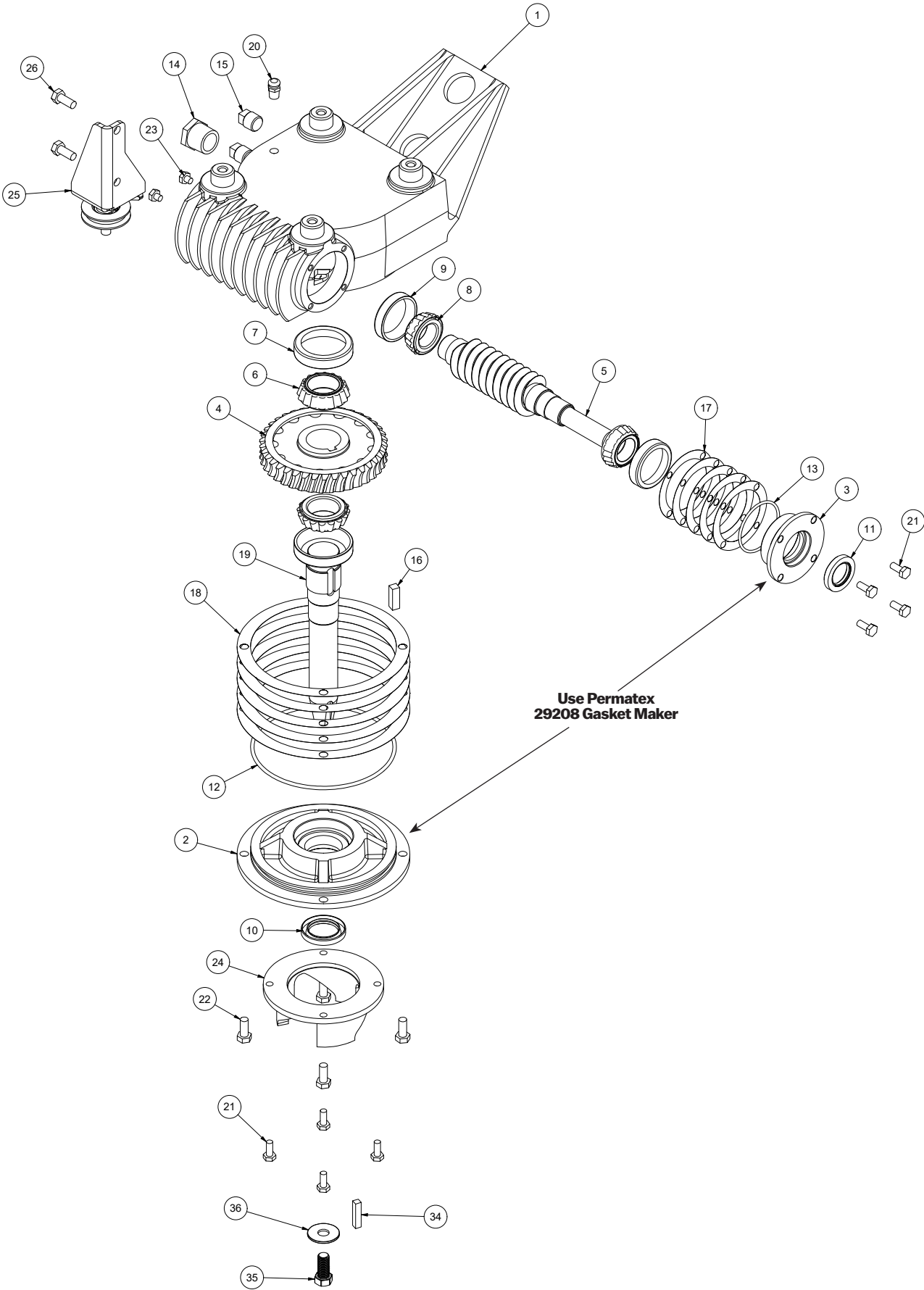
1. Using the pitch handle lay the blades flat on a very level surface.
2. Remove all bolts and lock washers that hold the blade on (2 for the 36" and 3 for the 46").
3. Remove the blade from under the arm.
4. Clean arms thoroughly of any debris.
5. Replace with a new blade. Be sure to replace the blades in the right orientation. Combination blades are to be installed with the larger portion of the blade on the right side of the arm when looking down at it.
6. Replace all bolts and lock washers.



ADJUSTING THE PITCHING ARMS

1. Place Power Trowel on level surface with blades lying flat.
2. Remove handle from the lower unit. Reference Page 9.
3. Locate the Pitch Adjustment Screws and Hex Jam Nuts on the Spider Assembly (Use Figure 22 above)
 - Once the Adjustment Screw and Hex Jam Nuts are located, loosen the jam nuts with a $\frac{9}{16}$ " wrench.
 - While holding the thrust collar all the way up, lower all Adjustment Screws with a $\frac{3}{8}$ " wrench so that none are touching the thrust collar.
 - Once the Screws are lowered, while holding the thrust collar all the way up, adjust the Pitch Adjustment Screws so that it just starts to touch the thrust collar. Then tighten Jam Nut back down against spider arm. Hold the Adjustment Screw with a $\frac{3}{8}$ " wrench to ensure it does not move when tightening the Jam Nut.
 - Continue to adjust all Pitch Adjustment Screws and Jam Nuts so they are all touching the thrust collar.
4. Put Handle back on lower unit and reconnect all wires and cables. Reference Page 9.

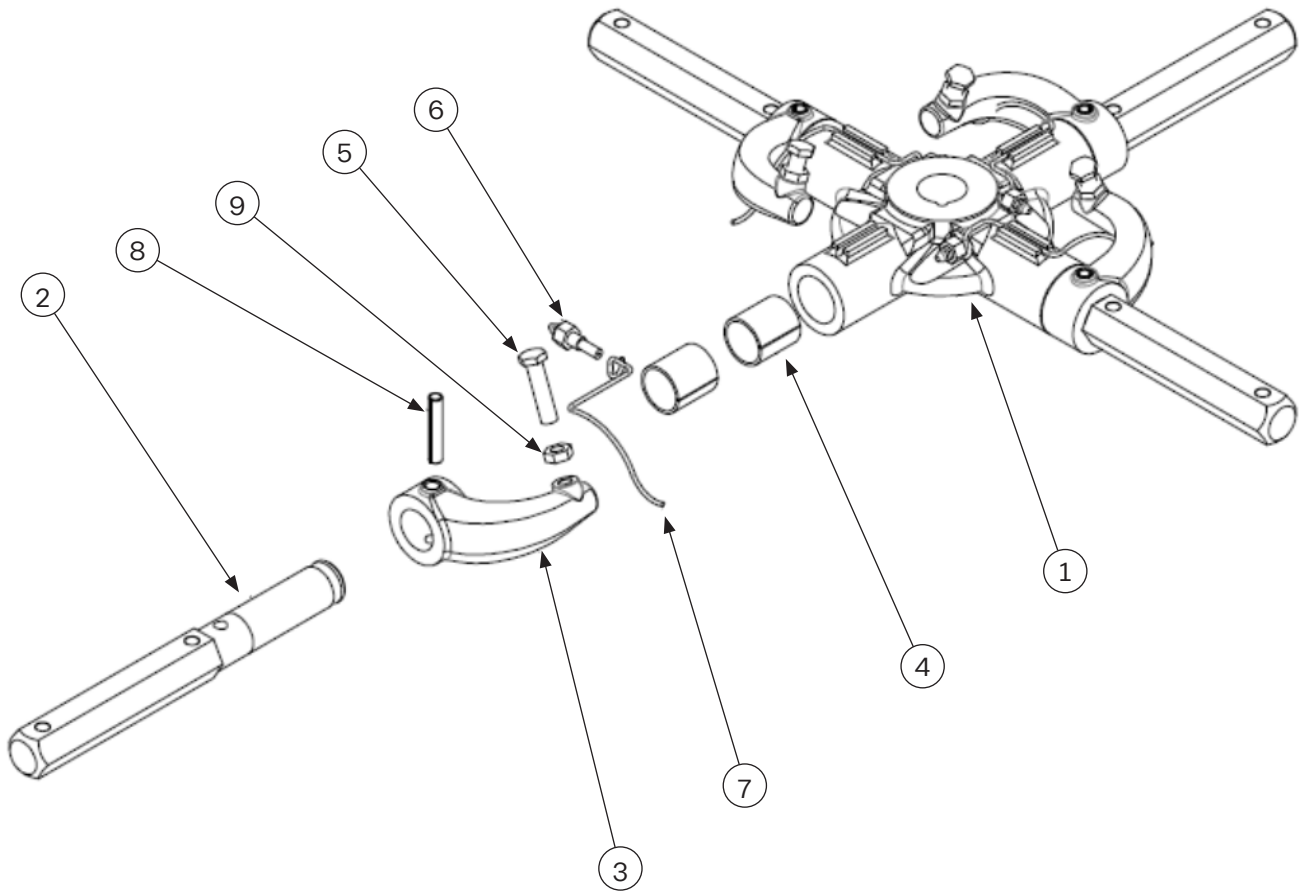
GEARBOX (32739)



PARTS BREAKDOWN

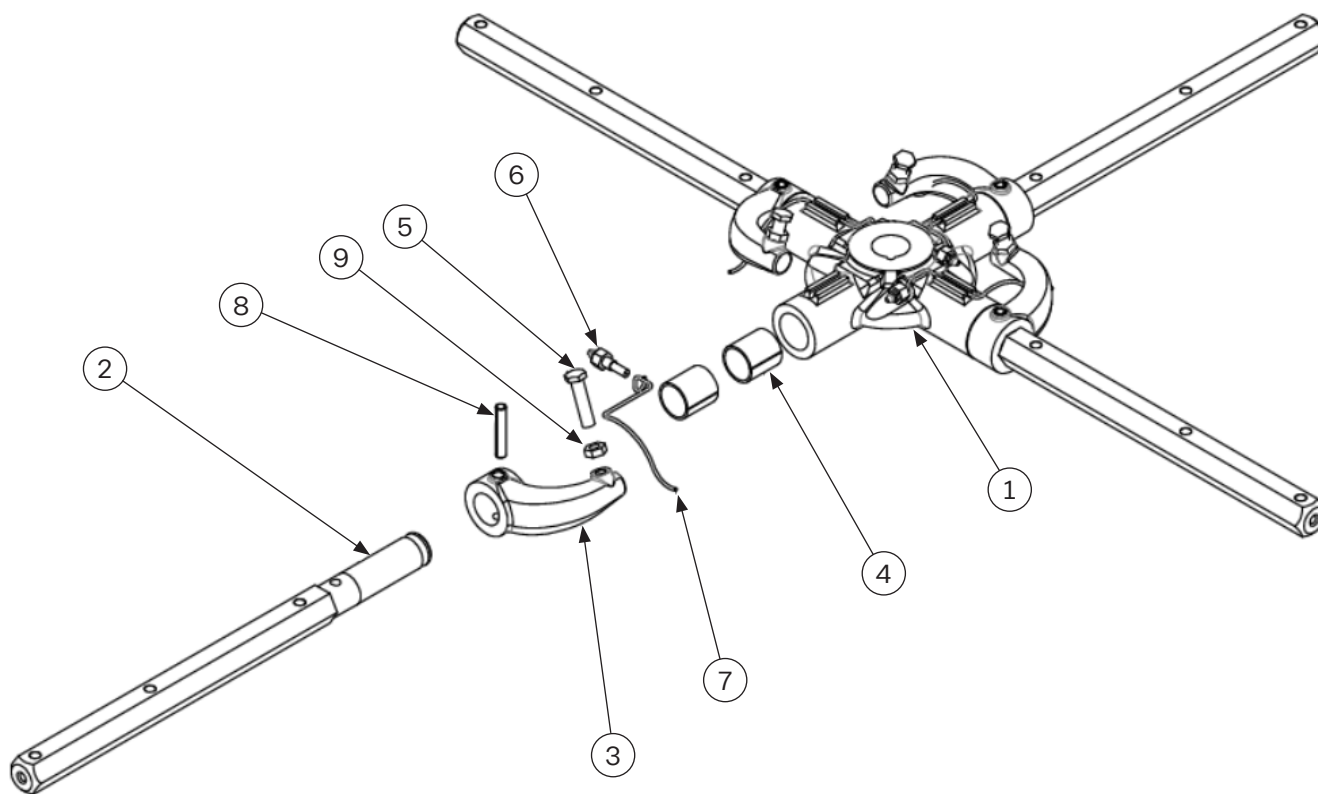
REF #	NAME	PART #	QTY
1	GEARBOX HOUSING	WU984	1
2	GEARBOX COVER	WU985	1
3	GEARBOX CAP	R4329	1
4	GEAR	WX2303	1
5	INPUT WORM SHAFT	WX2352	1
6	OUTPUT CONE	WX2359	2
7	OUTPUT CUP	WX2361	2
8	INPUT CONE	WX2358	2
9	INPUT CUP	WX2360	2
10	OUTPUT SEAL	WK217	1
11	INPUT SEAL	WK216	1
12	OUTPUT O-RING	WK215	1
13	INPUT O-RING	WK214	1
14	3/4 NPT SIGHT GLASS	WR1281	1
15	PLUG, 3/8 SQ	WR1295	2
16	KEY, 5/16 X 5/16 X 1	WR1288	1
17	INPUT SHIM KIT	28993	1
18	OUTPUT SHIM KIT	28992	1
19	OUTPUT SHAFT	R4331	1
20	VENT, 1/8 NPT	WT975	1
21	HEX CAP SCREW, 1/4-20 X 5/8	WR227	4
22	HEX CAP SCREW, 5/16-18 X 3/4	WR1309	4
23	HEX CAP SCREW, 1/4-28 X 1/4	WR1304	4
24	PITCH CAM	R4511	1
25	PITCH CABLE BRACKET ASSEMBLY	32735	1
26	HEX CAP SCREW, 5/16-18 X 5/8	WR1411	1
34	KEY STOCK 5/16 X 1/4 X 1-3/16	WR1370	1
35	SCREW, HHC 7/16-20 X 1" GR 8	WR1373	1
36	FLAT WASHER 7/16"	WR1056	1
5, 8	WORM SHAFT ASSEMBLY	32737	1
19, 4, 6	GEAR SHAFT ASSEMBLY	32738	1

36" SPIDER ASSEMBLY (32748)



REF #	NAME	PART #	QTY
1	SPIDER BASE	R4360	1
2	TROWEL ARM	28911	4
3	SPIDER FINGER	R4363	4
4	ARM BUSHING	28913	8
5	PITCH ADJUSTMENT BOLT	WR1280	4
6	RETAINING SCREW	R4365	4
7	ARM SPRING	WX2333	4
8	ROLL PIN, 5/16 X 1 3/4	WR1299	4
9	HEX JAM NUT, 3/8-16	WR1197	4

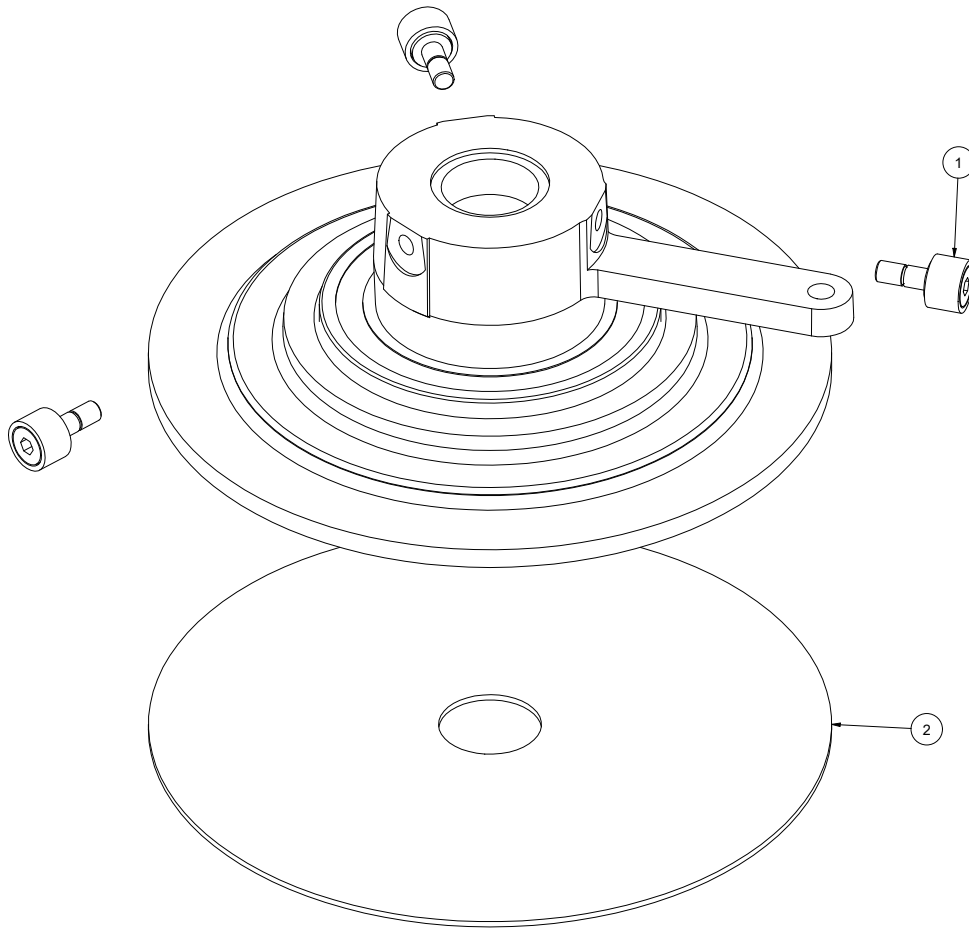
46" SPIDER ASSEMBLY (32742)



REF #	NAME	PART #	QTY
1	SPIDER BASE	R4360	1
2	TROWEL ARM	28912	4
3	SPIDER FINGER	R4363	4
4	ARM BUSHING	28913	8
5	PITCH ADJUSTMENT BOLT	WR1280	4
6	RETAINING SCREW	R4365	4
7	ARM SPRING	WX2333	4
8	ROLL PIN, 5/16 X 1 3/4	WR1299	4
9	HEX JAM NUT, 3/8-16	WR1197	4

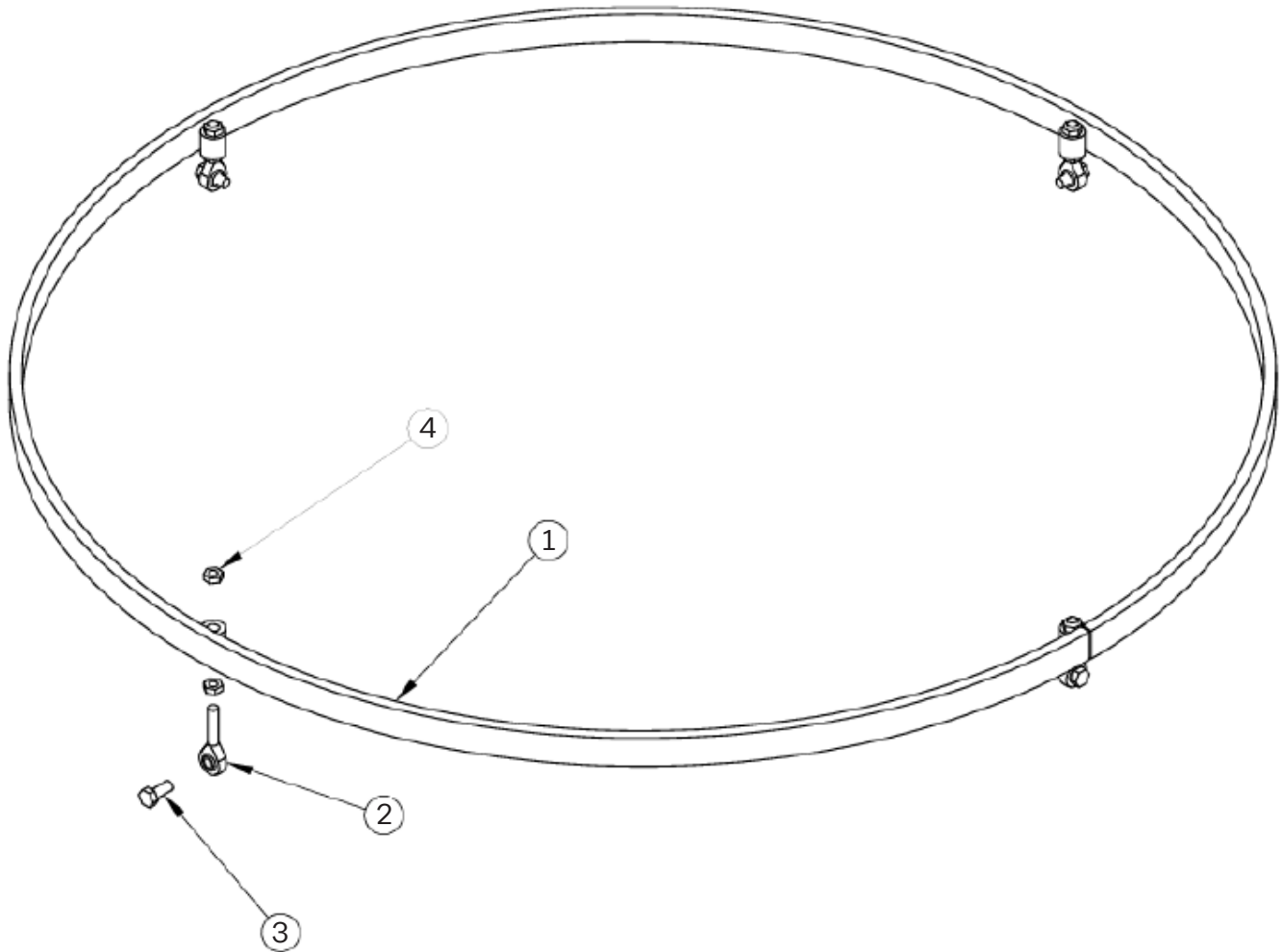
THRUST COLLAR ASSEMBLY (32750)*

*ASSEMBLY DOES NOT INCLUDE #2



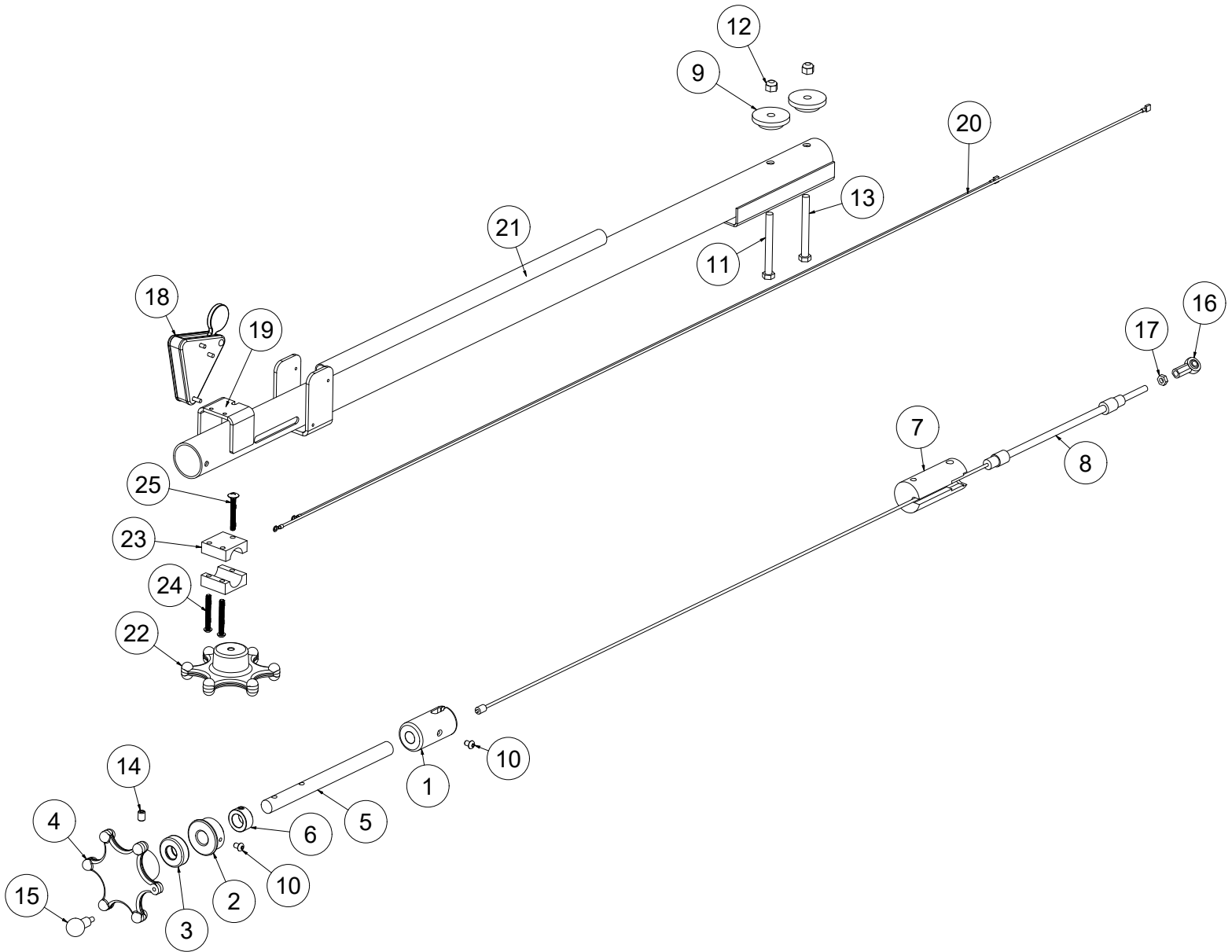
REF #	NAME	PART #	QTY
1	FOLLOWER CAM	WR1276	3
2	WEAR PLATE	WX2351	1

STABILIZER ASSEMBLY 46" ONLY (32741)



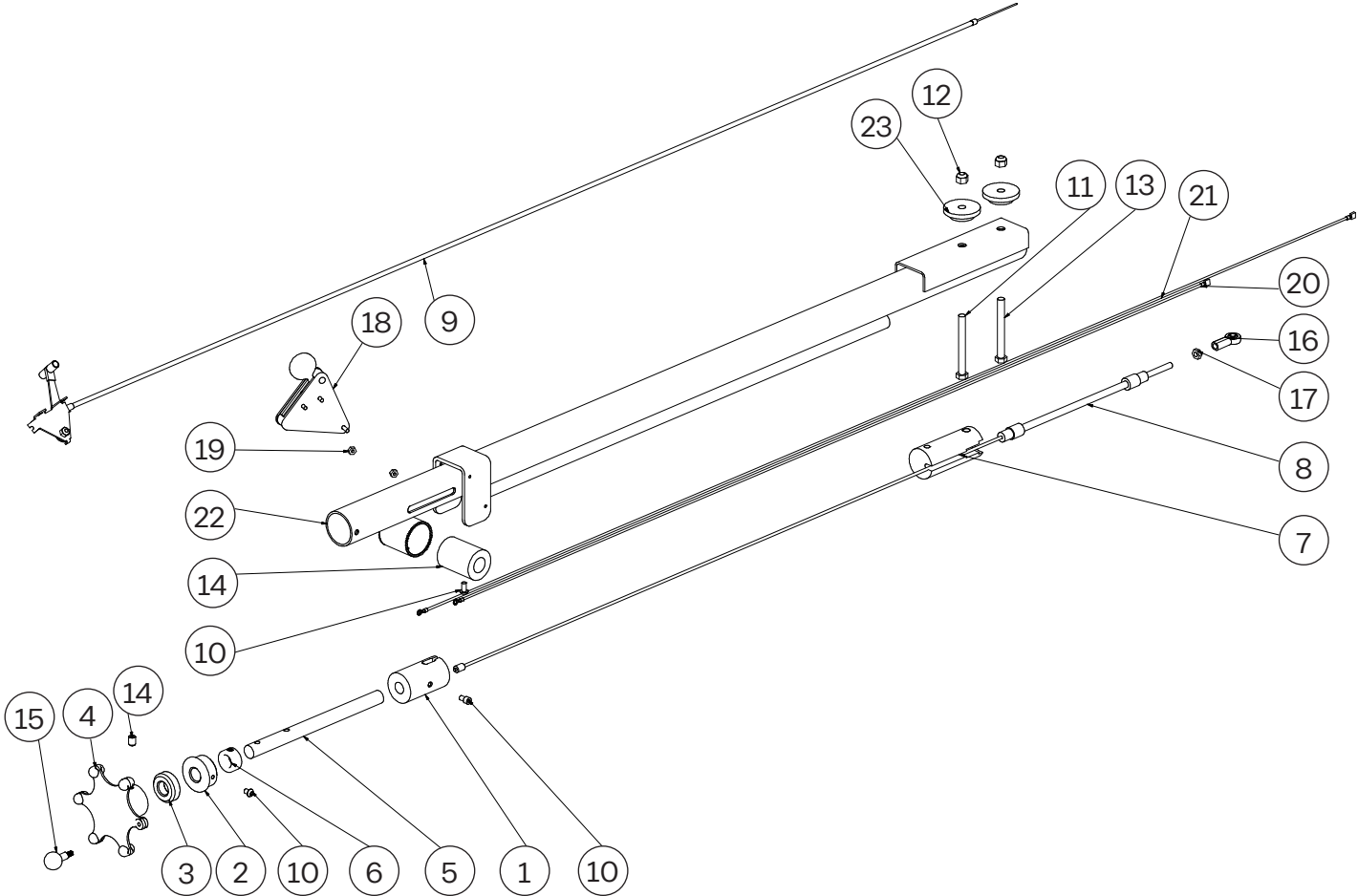
REF #	NAME	PART #	QTY
1	STABILIZER RING	R4356	1
2	ROD END, 5/16 MA LE	WR1298	4
3	HEX CAP SCREW 5/16-18 X 3/4	WR1309	4
4	JAM HEX NUT 5/16-24	WR1292	8

FULL KNOB STYLE HANDLE ASSEMBLY (32740)



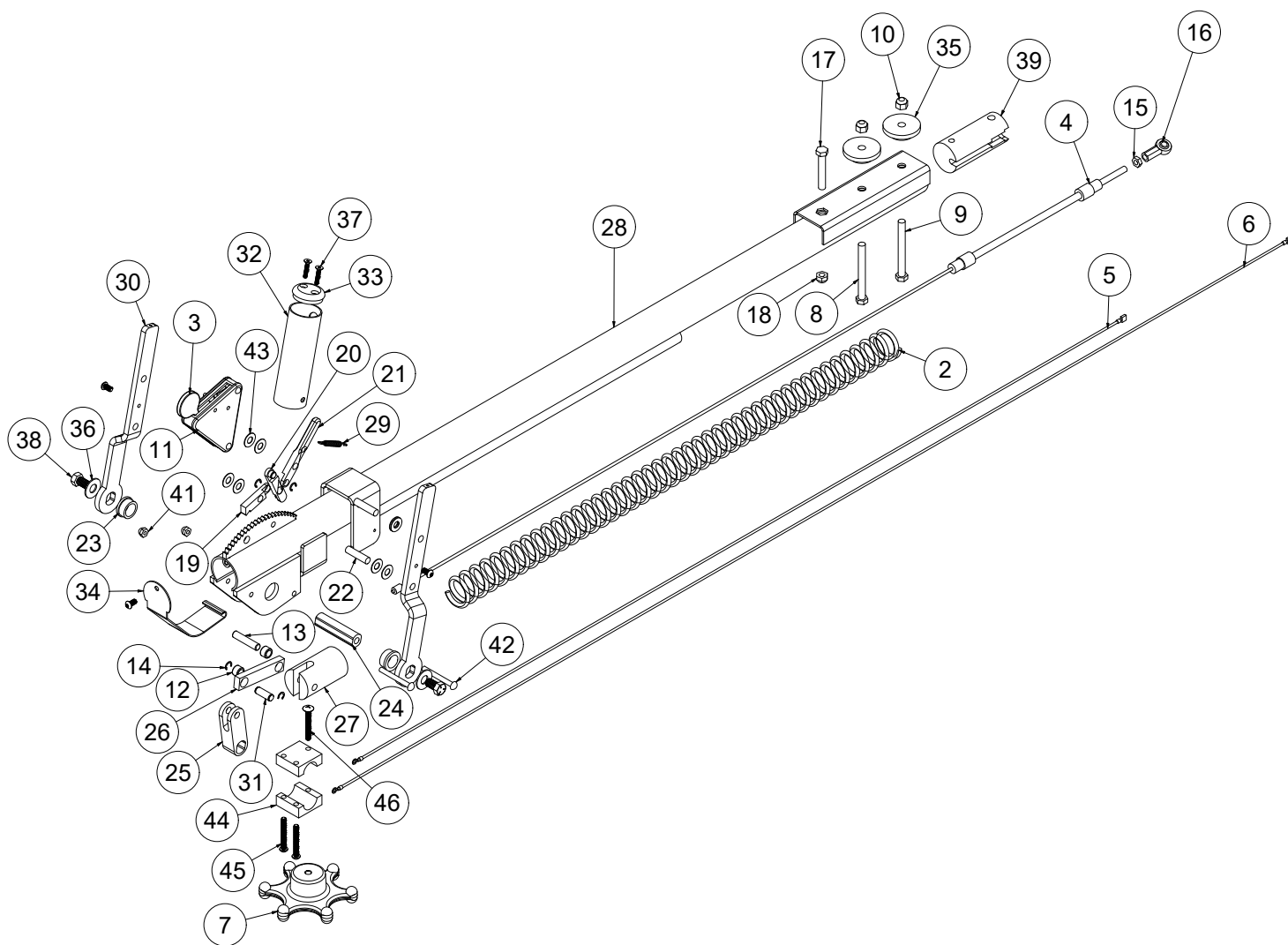
REF #	NAME	PART #	QTY
1	SLIDE BLOCK	R4210	1
2	HANDLE END	R4414	1
3	THRUST BEARING	WX2365	1
4	HAND WHEEL	R4349	1
5	3/4 ACME THREADED ROD	WX2348	1
6	3/4 SET COLLAR	WR1275	1
7	HANDLE SUPPORT BLOCK	R4347	1
8	PITCH CABLE	28918	1
9	SPACER, GEARBOX	28917	2
10	BUTTON HEAD SCREW, 1/4-20 X 3/8	WR1315	2
11	HEX CAP SCREW 3/8-16 X 3.5 FULL THD	WR1308	1
12	HEX NUT 3/8-16 NYLOCK	WR263	2
13	HEX CAP SCREW 3/8-16 X 3.5	WR1307	1
14	SET SCREW, 3/8-16 X 1/2	WR1317	1
15	REVOLVING HANDLE	WR1277	1
16	ROD END, FEMALE 5/16	WR1283	1
17	HEX NUT, 5/16-24	WR1292	1
18	CENTRIFUGAL SAFETY SWITCH ASSEMBLY	28916	1
19	HEX NUT, #10-24	WR1290	1
20	SAFETY WIRE ASSEMBLY	29598	1
21	HANDLE TUBE	R4342	1
22	HANDWHEEL CLAMP	R4889	1
23	HANDLEBAR CLAMP	R1278	2
24	BUTTON HEAD SCREW, 1/4-20 X 2	WR1491	2
25	CARRIAGE BOLT, 1/4-20 X 2	WR1881	1

FULL KNOB STYLE HANDLE ASSEMBLY PRE 2024



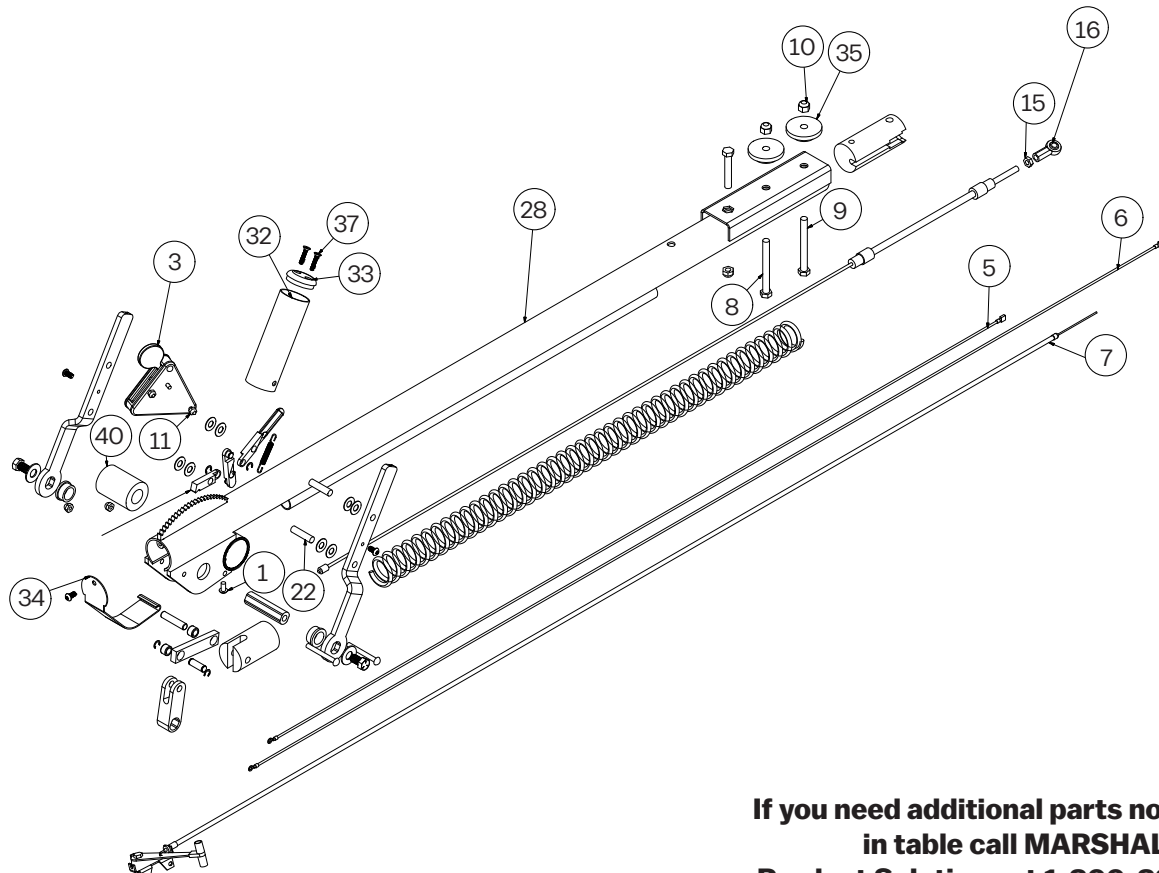
REF #	NAME	PART #	QTY
1	SLIDE BLOCK	R4210	1
2	HANDLE END	R4414	1
3	THRUST BEARING	WX2365	1
4	HAND WHEEL	R4349	1
5	3/4 ACME THREADED ROD	WX2348	1
6	3/4 SET COLLAR	WR1275	1
7	HANDLE SUPPORT BLOCK	R4347	1
8	PITCH CABLE	28918	1
9	THROTTLE ASSEMBLY	28915	1
10	SOCKET HEAD SCREW BUTTON 1/4-20 X 3/8	WR1315	2
11	HEX CAP SCREW 3/8-16 X 3.5 FULL THD	WR1308	1
12	HEX NUT 3/8-16 NYLOCK	WR263	2
13	HEX CAP SCREW 3/8-16 X 3.5	WR1307	1
14	UPPER HANDLE SPACER (INCLUDED WITH R4373, SEE UPPER HANDLE ASSEMBLY)	R4379	1
15	REVOLVING HANDLE	WR1277	1
16	ROD END, FEMALE 5/16	WR1283	1
17	HEX NUT 5/16-24	WR1292	1
18	CENTRIFUGAL SAFETY SWITCH ASSEMBLY	28916	1
19	HEX NUT 10-24	WR1290	2
20	GROUND WIRE ASSEMBLY	29597	1
21	SAFETY WIRE ASSEMBLY	29598	1
22	HANDLE TUBE	R4342	1
11-13,23	SPACER, GEARBOX	28917	2
2-6, 9, 10, 15	KNOB STYLE HANDLE END KIT	28926	1
R4341 & R4373	FULL KNOB STYLE HANDLE ASSEMBLY WITH UPPER HANDLE ASSEMBLY	R3888	1

RAPID PITCH HANDLE TUBE ASSEMBLY (32734)



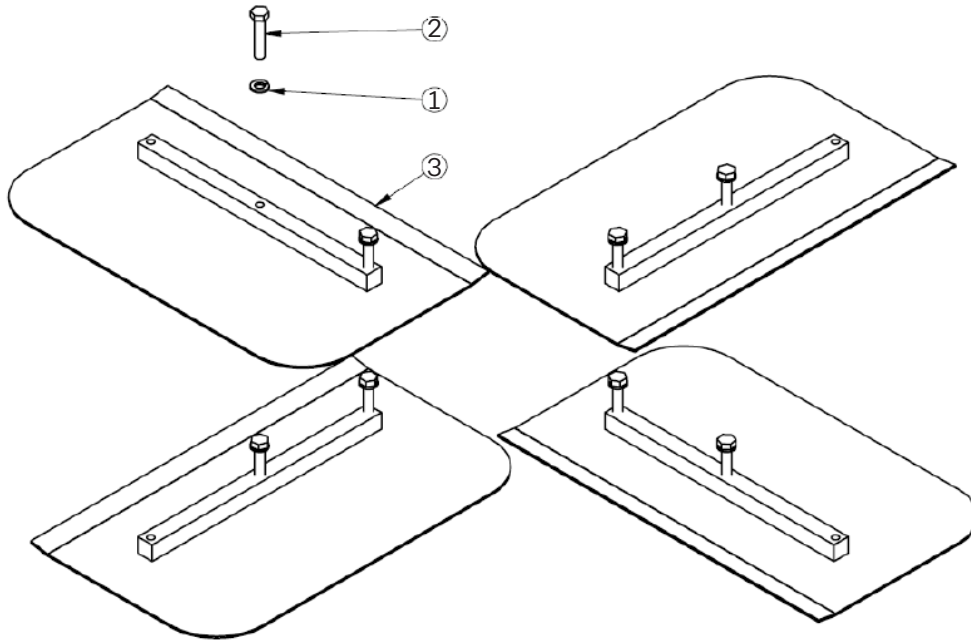
REF #	NAME	PART #	QTY
2	SPRING	WX2334	1
3	CENTRIFUGAL SAFETY SWITCH ASSEMBLY	28916	1
4	PITCH CABLE	28918	1
5	GROUND WIRE ASSEMBLY	R4351	1
6	SAFETY WIRE ASSEMBLY	R4353	1
7	HANDWHEEL CLAMP	R4889	1
8	HEX CAP SCREW 3/8-16 X 3.5 FULL THD	WR1308	1
9	HEX CAP SCREW 3/8-16 X 3.5	WR1307	1
10	HEX NUT 3/8-16 NYLOCK	WR445	2
11	HEX NUT 10-24	WR1290	1
12	NEEDLE BEARING 3/8 X 3/8	WX2356	2
13	DOWEL PIN 3/8 X 1.75	WR1284	1
14	RETAINING RING	WR1296	4
15	HEX NUT 5/16-24	WR1292	1
16	ROD END, FEMALE 5/16	WR1283	1
17	HEX CAP SCREW 3/8-16 X 2.25	WR1306	1
18	HEX NUT 3/8-16	WR1291	1
19	LOCKING LINK	WU912	1
20	CONNECTING LOCKING LINK	WU911	1
21	PITCH RELEASE LEVER	WU910	1
22	DOWEL PIN 3/8 X 1.25	WR1430	2
23	FLANGED SLEEVE BEARING	WR1431	2
24	PITCH HANDLE SHAFT	R4444	1
25	SLIDER LINK LEVER	R4446	1
26	LINK PITCH	WX2306	1
27	SLIDE BLOCK	R4400	1
28	HANDLE TUBE	R4406	1
29	EXTENSION SPRING	WR1432	1
30	PITCH HANDLE	R4321	2
31	PIVOT LINK PIN	R4401	1
32	GRIP	R4322	1
33	GRIP CAP	R4443	1
34	PITCH COVER	R4402	1
35	GEARBOX SPACER	R4447	2
36	WASHER 7/16	WR1056	2
37	FLAT HEAD SCREW 10-24 X 1	WR1429	2
38	HEX CAP SCREW 7/16-14 X 3/4	WR1174	2
39	HANDLE SUPPORT BLOCK	R4347	1
41	HEX NUT 1/4-20	WR1289	2
42	ROUNDED HEAD 1/4-20 X 2 1/4	WR1311	2
43	WASHER 3/8 PLASTIC	WL652	8
44	HANDLEBAR CLAMP	R1278	2
45	BUTTON HEAD SCREW, 1/4-20 X 2	WR1491	2
46	CARRIAGE BOLT, 1/4-20 X 2	WR1881	1

RAPID PITCH HANDLE TUBE ASSEMBLY PRE 2024



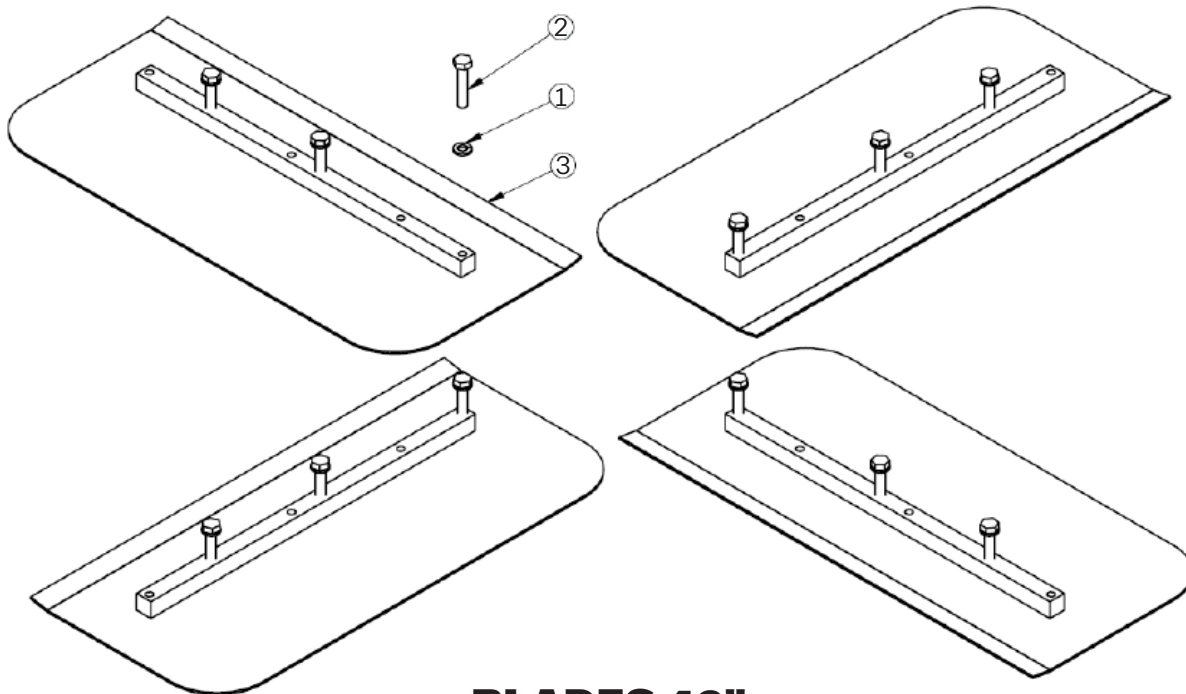
**If you need additional parts not shown
in table call MARSHALLTOWN
Product Solutions at 1-800-888-0127**

REF #	NAME	PART #	QTY
1	ROUNDED HEAD 1/4-20 X 3/8	WR1315	4
3	CENTRIFUGAL SAFETY SWITCH ASSEMBLY	28916	1
5	GROUND WIRE ASSEMBLY	29597	1
6	SAFETY WIRE ASSEMBLY	29598	1
7	THROTTLE ASSEMBLY	28915	1
8	HEX CAP SCREW 3/8-16 X 3.5 FULL THD	WR1308	1
9	HEX CAP SCREW 3/8-16 X 3.5	WR1307	1
10	HEX NUT 3/8-16 NYLOCK	WR263	2
11	HEX NUT 10-24	WR1290	2
15	HEX NUT 5/16-24	WR1292	1
16	ROD END, FEMALE 5/16	WR1283	1
22	DOWEL PIN 3/8 X 1.25	WR1430	2
28	HANDLE TUBE	R4406	1
32	GRIP	R4322	1
33	GRIP CAP	R4443	1
34	PITCH COVER	R4402	1
35	GEARBOX SPACER	28917	2
37	FLAT HEAD SCREW 10-24 X 1	WR1429	2
40	UPPER HANDLE SPACER (INCLUDED WITH R4373, SEE UPPER HANDLE ASSEMBLY)	R4379	1
N/A	FULL HANDLE ASM W/ UPPER HANDLEBARS	R3889	1
N/A	FULL HANDLE ASM W/ UPPER HANDLEBARS GX160	R3879	1



BLADES 36"

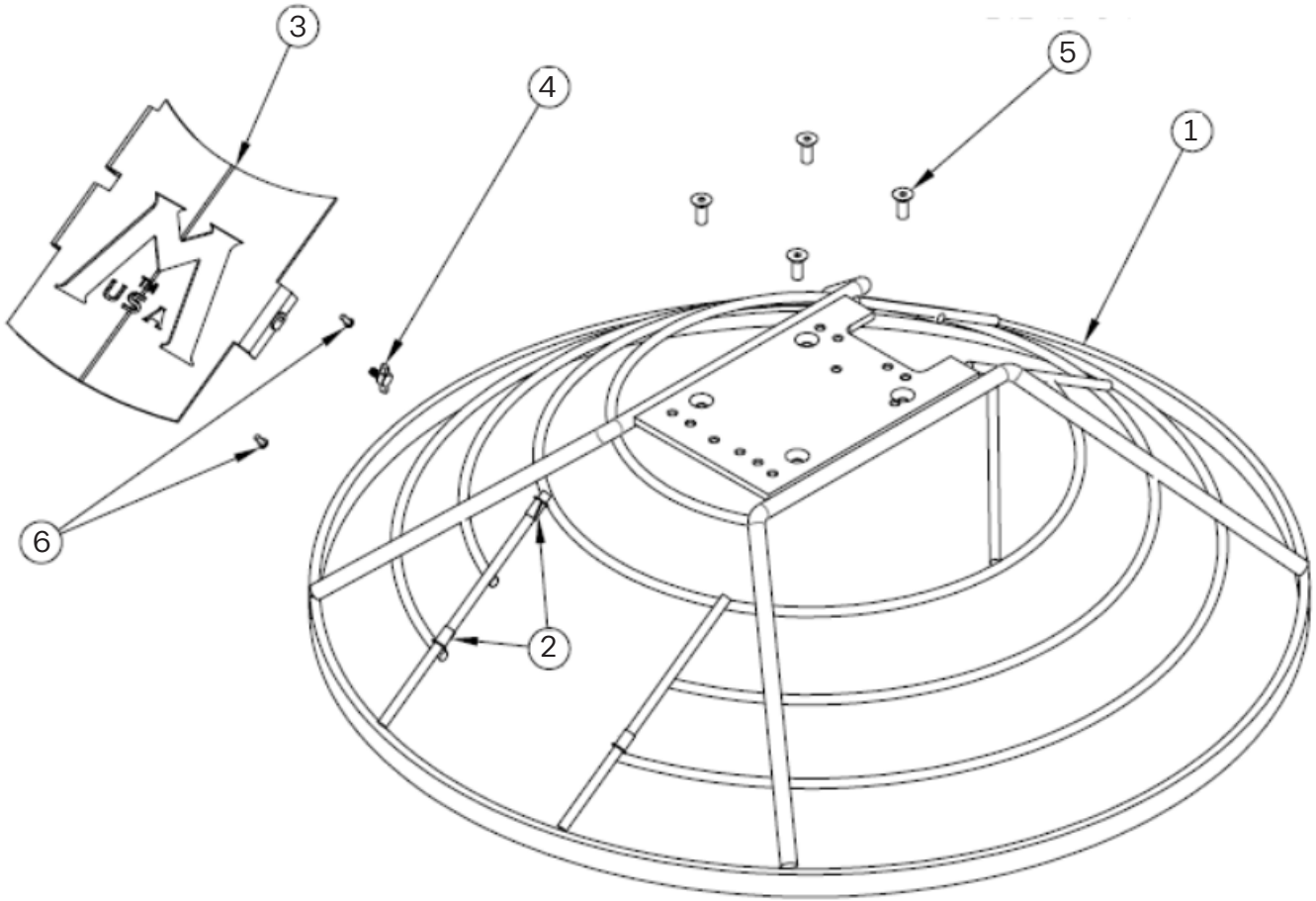
REF #	NAME	PART #	QTY
1	LOCK WASHER 5/16	WR364	8
2	HEX CAP SCREW 5/16-18 X 1.5	WR1008	8
3	8X14 COMBO BLADE	M6092 (4-PACK)	4



BLADES 46"

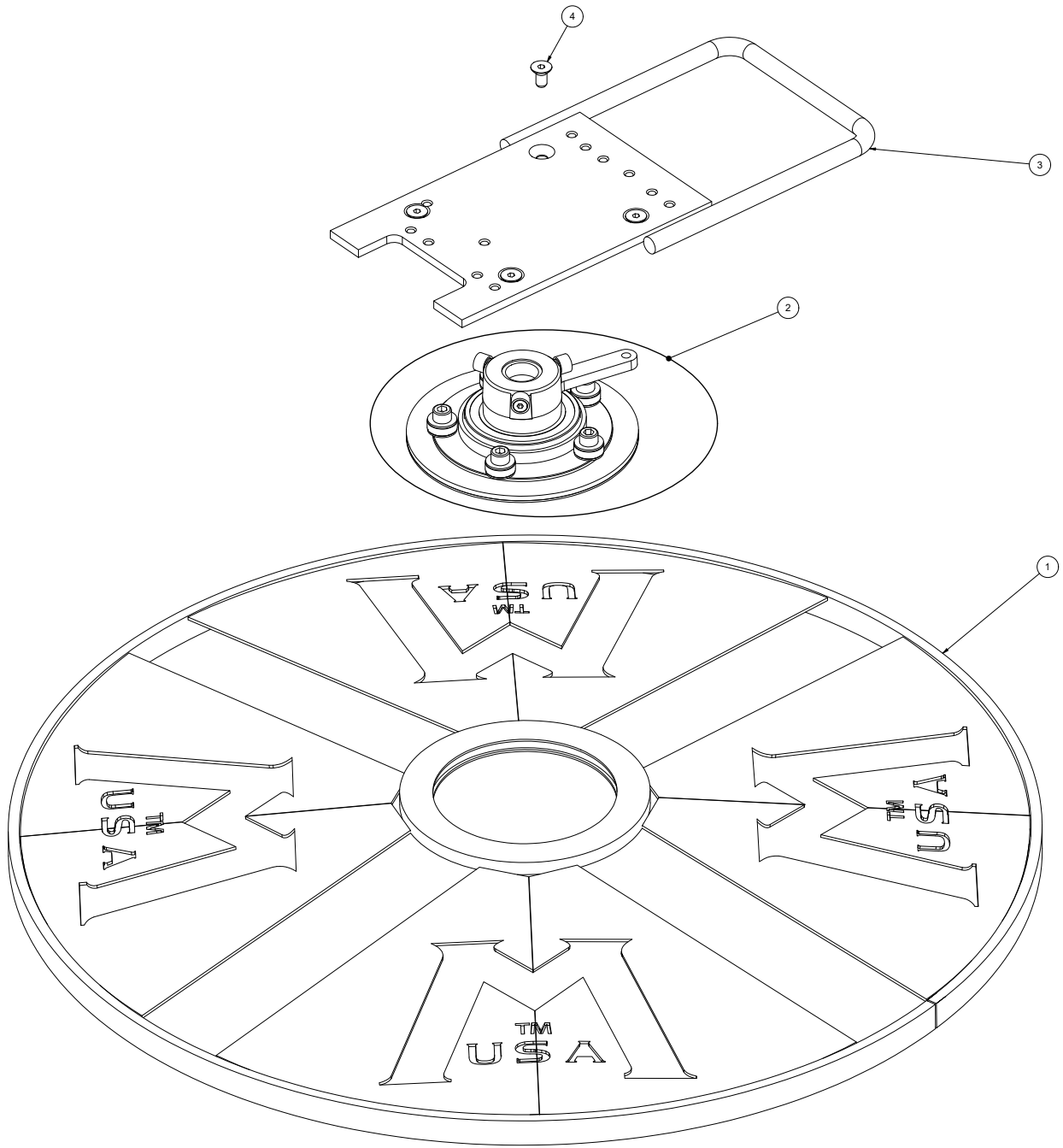
REF #	NAME	PART #	QTY
1	LOCK WASHER 5/16	WR364	12
2	HEX CAP SCREW 5/16-18 X 1.5	WR1008	12
3	8X18 COMBO BLADE	M6094 (4-PACK)	4

36" GUARD RING (32746) 46" GUARD RING (32743)



REF #	NAME	PART #	QTY
1	36" GUARD RING	R4386	1
	46" GUARD RING	R4367	
2	BUSHING, SPLIT NYLON 3/8'	WL684	2
3	ACCESS DOOR FOR 36"	R4389	1
	ACCESS DOOR FOR 46"	R4371	
4	BELT GUARD SCREW	WR1279	1
5	FLAT HEAD SCREW, 3/8 -16 X 3/4	WR1302	4
6	ROUNDED HEAD SCREW 10-24 X 1/2	WR1158	2

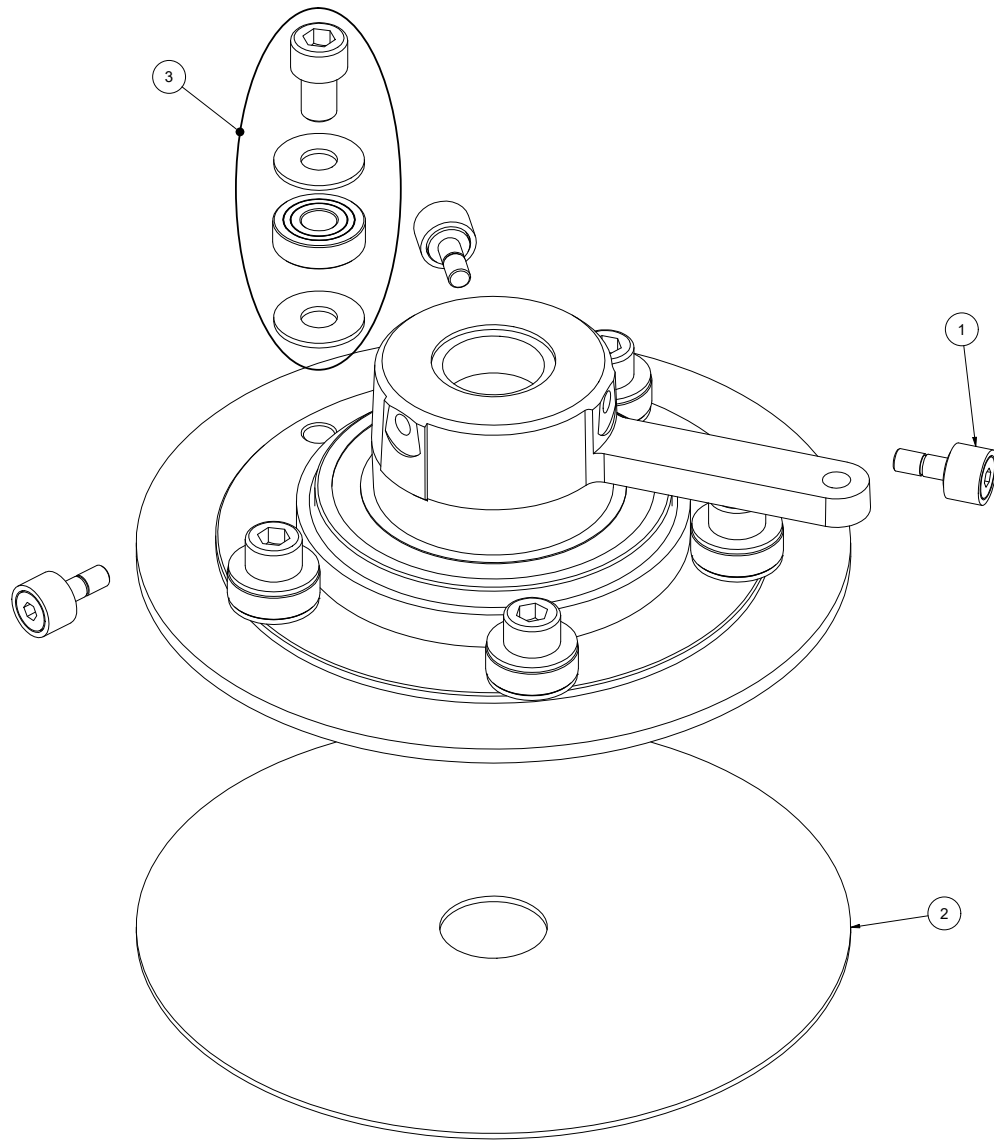
36" EDGER ROTATING RING (32747)



REF #	NAME	PART #	QTY
1	ROTATING RING	R4394	1
2	EDGER THRUST COLLAR	-	1
3	GUARD RING MOUNT	R4417	1
4	FLAT HEAD SCREW, 3/8-16 X 3/4	WR1302	4

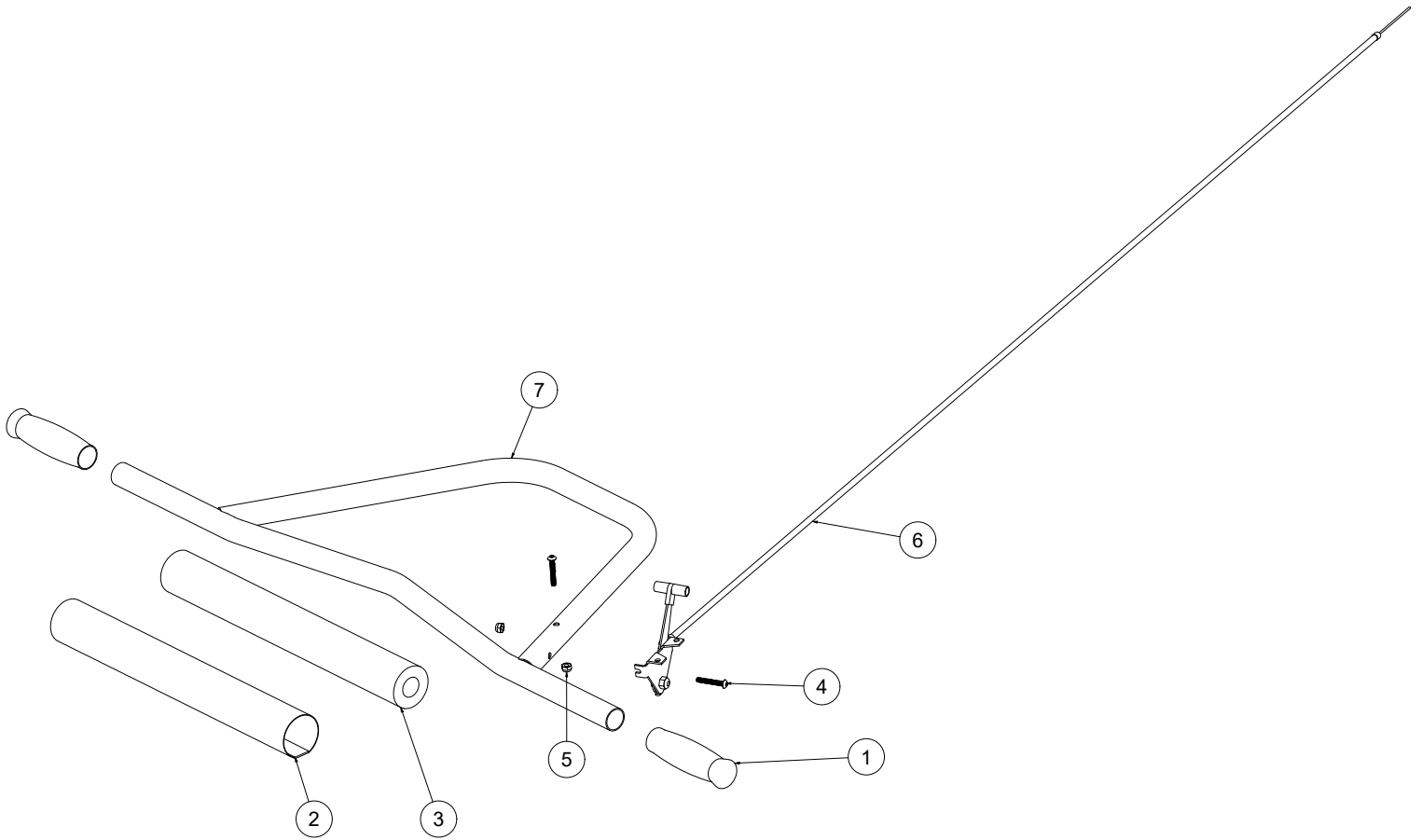
EDGER THRUST COLLAR ASSEMBLY (32751)*

*ASSEMBLY DOES NOT INCLUDE #2 OR #3



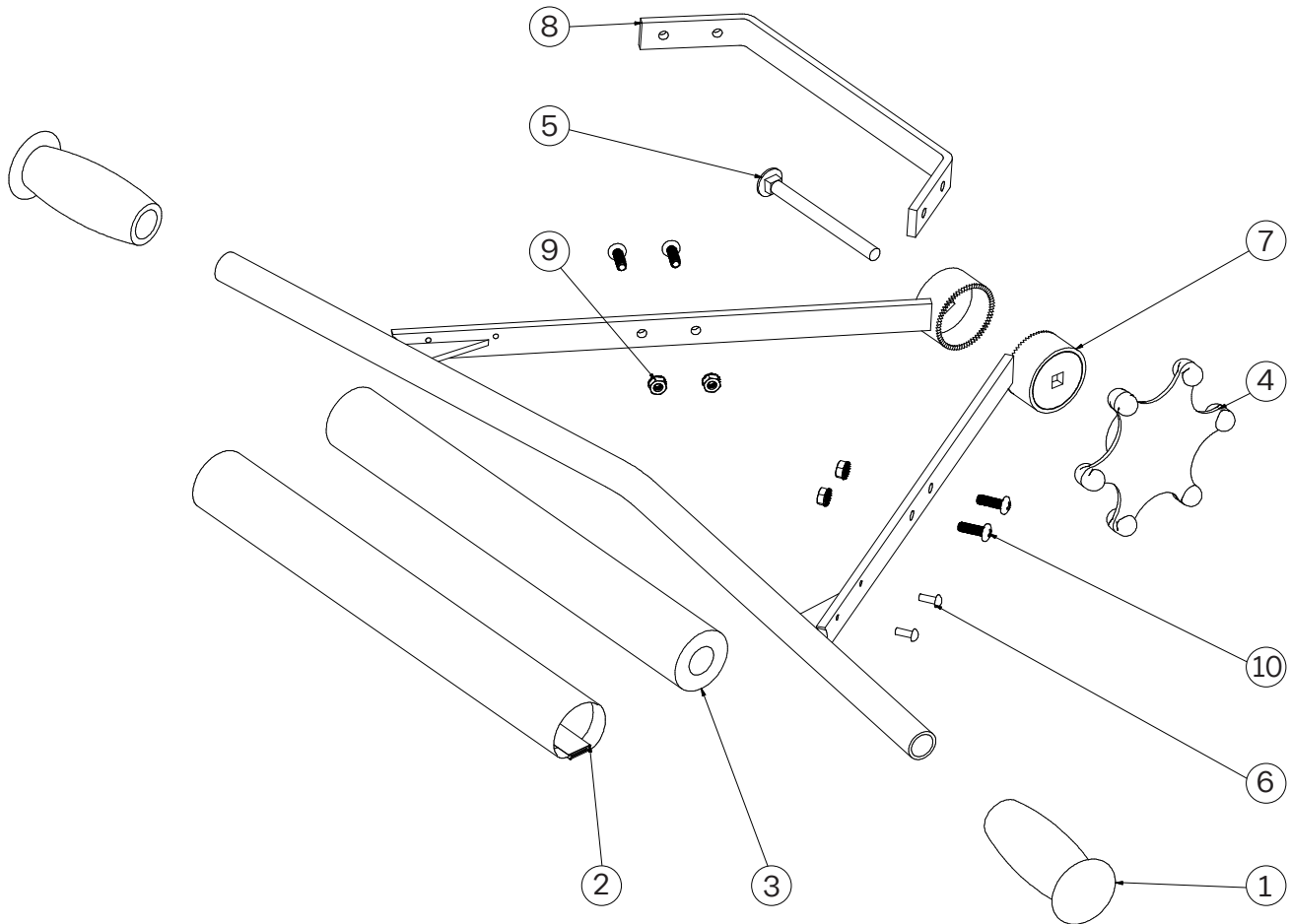
REF #	NAME	PART #	QTY
1	FOLLOWER CAM	WR1276	3
2	WEAR PLATE	WX2351	1
3	BALL BEARING KIT	28927	5

UPPER HANDLE ASSEMBLY (32744)



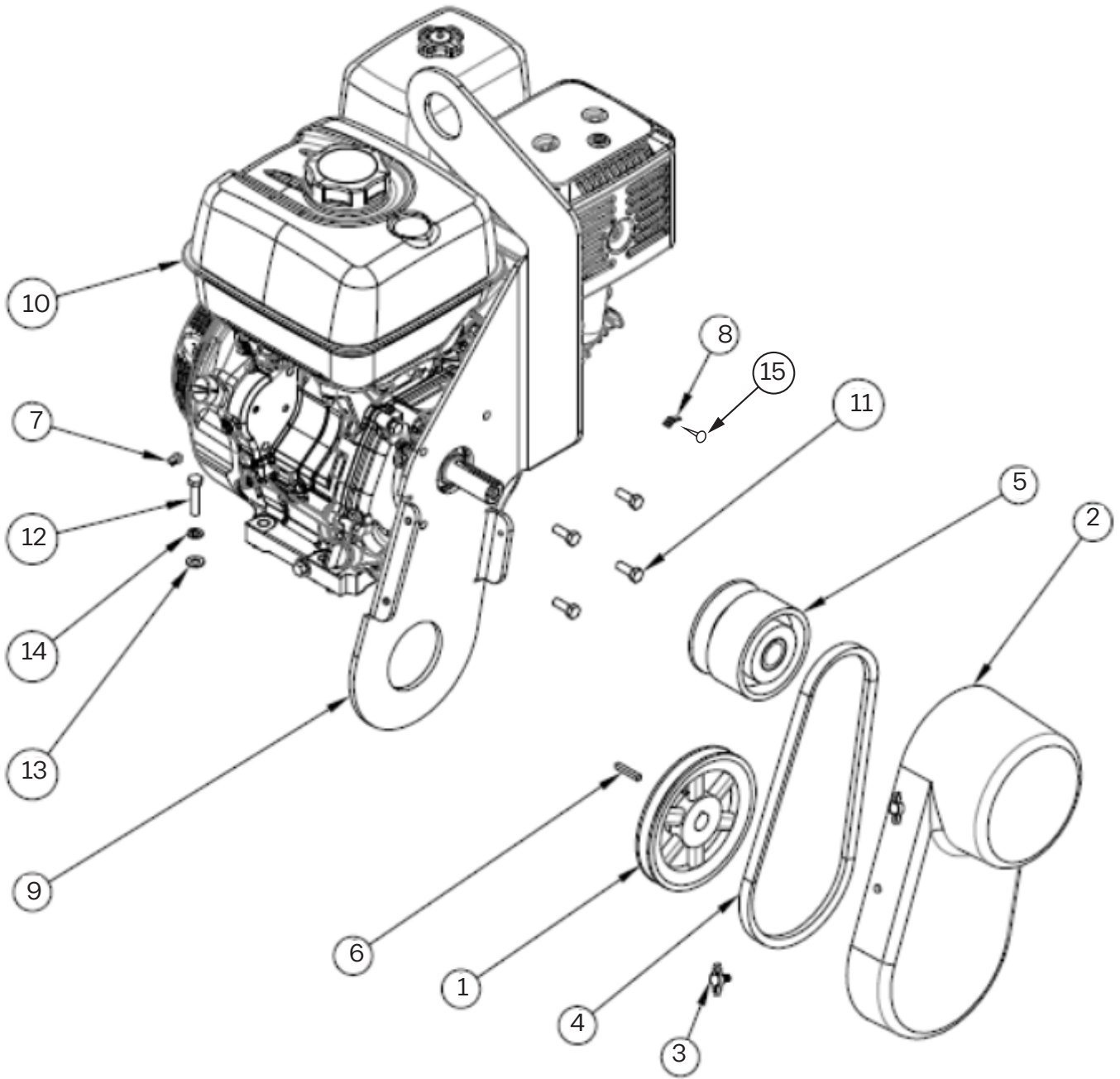
REF #	NAME	PART #	QTY
1	GRIP, HANDLE	WL251	2
2	PAD COVER	WX2295	1
3	PAD, HANDLE	WX2319	1
4	BUTTON HEAD SCREW, #10-24 X 1.25	WR1498	2
5	NYLOCK NUT, #10-24	WR370	2
6	THROTTLE ASSEMBLY	28915	1
7	HANDLE BAR	R4376	1

UPPER HANDLE ASSEMBLY PRE 2024



REF #	NAME	PART #	QTY
1	GRIP, HANDLE	WK210	2
2	PAD COVER	WX2295	1
3	PAD, HANDLE	WX2319	1
4	HANDLE BAR ADJUSTMENT KNOB	R4375	1
5	CARRIAGE BOLT 3/8-16 X 4 1/2	WR1301	1
6	ROUNDED HEAD SCREW, 10-24 X 1/2	WR1158	2
7	HANDLE BAR	R4376	1
8	BRACE, HANDLE BAR	R4449	1
9	KEPS NUT, 1/4-20	WR413	4
10	ROUNDED HEAD SCREW, 1/4-20 X 3/4	WR1378	4

DRIVE ASSEMBLY



270-450CC ENGINES

REF #	NAME	PART #	QTY
1	PULLEY	WX2321	1
2, 3	BELT GUARD	28921	1
3	BELT GUARD SCREW	WR1279	3
4	V-BELT, A29	28922	1
5	CLUTCH, 1"	WX2291	1
6	KEY, 3/16 X 3/16 X 1.25	WX1321	1
7	SAFETY WIRE TAP	WR1287	2
8	GROUND WIRE LUG	WR1282	2
9	LIFTING PLATE	R4381	1
10	ENGINE, 340-450	-	1
	ENGINE, 270-330	-	1
11	HEX CAP SCREW 5/16 - 24 X 7/8	WR1338	4
12	HEX CAP SCREW 5/16 - 24 X 1 1/2 340-450	WR1345	4
	HEX CAP SCREW 5/16 - 24 X 1 1/4 270-330	WR1406	4
13	FLAT WASHER 5/16	WR236	4
14	LOCK WASHER 5/16	WR364	4
15	SHEET METAL SCREW #10 3/8	WR1410	2

160-260CC ENGINES

REF #	NAME	PART #	QTY
1	PULLEY	WX2321	1
2, 3	BELT GUARD	28921	1
3	BELT GUARD SCREW	WR1279	3
4	V-BELT, A27	28923	1
5	CLUTCH, 3/4"	WX2292	1
6	KEY, 3/16 X 3/16 X 1.25	WX1321	1
7	SAFETY WIRE TAP	WR1287	2
8	GROUND WIRE LUG	WR1282	2
9	LIFTING PLATE	R4416	1
10	ENGINE, 160-260	-	1
11	FLAT HEAD SCREW 5/16 - 24 X 7/8	WR1409	4
12	HEX CAP SCREW 5/16 - 24 X 1 1/4	WR1406	4
13	FLAT WASHER 5/16	WR236	4
14	LOCK WASHER 5/16	WR364	4
15	SHEET METAL SCREW #10 3/8	WR1410	2

TROUBLESHOOTING

ENGINE WON'T START:

1. Check safety switch. Weight pushed away from operator. Check for loose connections.
2. Check for sufficient fuel.
3. Check oil level. Engines have an "Oil Alert" feature, which prevents them from starting when the oil level is low.
4. Was engine choked when starting?
5. Is engine flooded?
6. Check spark plug. (Clean and check gap)
7. If engine still will not start, consult the engine owner's manual or take it to an authorized service center.

BLADES WON'T MOVE OR ARE SLOWER THAN NORMAL:

1. Check the throttle cable to make sure it is allowing the engine throttle to move freely in its entire range of motion.
2. Check the v-belt. Replace if worn.
3. Check the clutch. Replace if needed.
4. Check the gear box.

MACHINE IS UNBALANCED:

1. Check for excessively worn blades.
2. Check the pitch of the blades. Make sure all blades are pitched at the same angle. See "ADJUSTING THE PITCHING ARMS" section for more information.
3. Check the arms, arms bushing, thrust collar, and thrust collar bushings for damage or wear.

ENGINE KEEPS DYING:

1. Check handle to make sure it is secured to the base tightly, otherwise the centrifugal safety switch might activate.
2. Check for sufficient fuel.

SAFETY SWITCH DOES NOT STOP ENGINE:

1. Check wire connection, damaged wire or if there is debris in the switch.

BLADES WON'T PITCH:

1. Check to see the blades are installed correctly.
2. Check to see that the pitch cable is attached and intact.



104 S. 8th Ave., Marshalltown, IA
Phone 800-888-0127 / 641-753-0127
Fax 800-477-6341 / 641-753-6341
www.MARSHALLTOWN.com
WS1987revB