

BULLET

A MARSHALLTOWN® BRAND

VINYL GLIDER

Part# BT92-2095 | EDI# 29954



104 S. 8th Ave. | Marshalltown, IA
Phone 800-888-0127 / 641-753-0127 | Fax 800-477-6341 / 641-753-6341
www.MARSHALLTOWN.com
WS2712revA

TABLE OF CONTENTS

Introduction	2
Safety Precautions	3
Safety Decals	4
Replacement Parts.....	4
Warranty.....	4
Parts Breakdown	5
Assembly.....	6-7
Product Operation.....	8-11
Changing the Blade.....	12-13
Maintenance	13

INTRODUCTION

Thank you for your purchase of the Vinyl Glider. This versatile product is proudly Made in the USA, manufactured with the highest-grade materials, and designed with the flooring professional in mind.

Your new Vinyl Glider includes features such as:

- Designed to provide an easy solution for rip cuts
- Makes straight, clean score and snap rip cuts on a variety of vinyl products up to 9½" (241mm) wide
- Adjustable depth blade cuts vinyl up to 5/16" (8mm) thick
- Sliding, locking fence holds vinyl (up to 9½" / 241mm wide) in place for perfectly straight scores

Suitable materials:

- LVP (Vinyl Plank Flooring)
- LVT (Luxury Vinyl Tile)
- WPC, SPC, MLF, (Rigid Core)

This owner's manual provides the information needed to operate and maintain this Vinyl Glider. Carefully read and follow all safety and operating instructions in this manual. Ensure every operator of this Vinyl Glider reads this manual before operating the unit. The replacement of any part on this Vinyl Glider by other than the manufacturer's authorized replacement part may adversely affect the performance, durability, or safety of the product.

Be sure safety precautions are observed. Read and follow all safety and operating instructions in this operator's manual. The manufacturer reserves the right to make changes on or add improvements to its product at any time without prior notice or obligation. The manufacturer reserves the right to decide, upon its sole discretion and at any time, to discontinue this product.

This manual covers the Vinyl Glider. For technical questions or repair parts, please call MARSHALLTOWN® customer service at 1-800-888-0127 or visit www.MARSHALLTOWN.com.

SAFETY PRECAUTIONS



• DANGER or



WARNING safety signs are located near specific hazards.



• General precautions are listed on CAUTION safety signs.

This notation appears before warnings in the text. It means that the step that follows must be carried out to avoid the possibility of personal injury or death. These warnings are intended to help the technician avoid any potential hazards encountered in the normal service procedures. We strongly recommend that the reader takes advantage of the information provided to prevent personal injury or injury to others.

THE FOLLOWING PRECAUTIONS ARE SUGGESTED TO HELP PREVENT ACCIDENTS. A CAREFUL OPERATOR IS THE BEST OPERATOR. MOST ACCIDENTS CAN BE AVOIDED BY OBSERVING CERTAIN PRECAUTIONS.

READ AND TAKE THE FOLLOWING PRECAUTIONS BEFORE OPERATING THIS EQUIPMENT TO HELP PREVENT ACCIDENTS. EQUIPMENT SHOULD BE OPERATED ONLY BY THOSE WHO ARE RESPONSIBLE AND INSTRUCTED TO DO SO.



CALIFORNIA PROPOSITION 65 WARNING: This product can expose you to chemicals known to the State of California to cause cancer, birth defects, or other reproductive harm.

- Read all operating and maintenance instructions before operating or servicing the Vinyl Glider.
- A Vinyl Glider is only as safe as its operator. Give complete and undivided attention to the operation of the Vinyl Glider.
- Know how to stop the Vinyl Glider instantly.



NEVER operate the Vinyl Glider if any components have been removed.

- Keep the Vinyl Glider in good operational condition. Loose or damaged parts are dangerous.
- Avoid loose clothing that could get caught in moving parts.



Keep hands and feet away from moving parts.

- Keep all warning, caution, and safety instruction labels in good condition. Replace missing, damaged, or illegible labels.
- Clear the work area around the Vinyl Glider to prevent tripping or falling onto the tool.
- Operate on level ground.
- DO NOT OPERATE this Vinyl Glider under the influence of alcohol or while taking medication that impairs your reactions.
- Use only factory authorized parts for replacement.
- Wear safety glasses when operating the Vinyl Glider.
- Always use caution when replacing the blade.
- Only operate the Vinyl Glider with the approved materials. If extreme force is required to cut a material, it may result in personal injury and/or damage to the Vinyl Glider.
- Wear proper protective clothing while operating the Vinyl Glider, including eye, ear, and clothing.
- Handle all solvents and cleaning agents with care and follow manufacturer's instructions on safety and disposal.

SAFETY DECALS

If your safety decals are damaged, they can be replaced by contacting Customer Service.



R6154



R6117

REPLACEMENT PARTS

DESCRIPTION	PART #	EDI
Vinyl Glider Round Blade	MTVR95B	29383

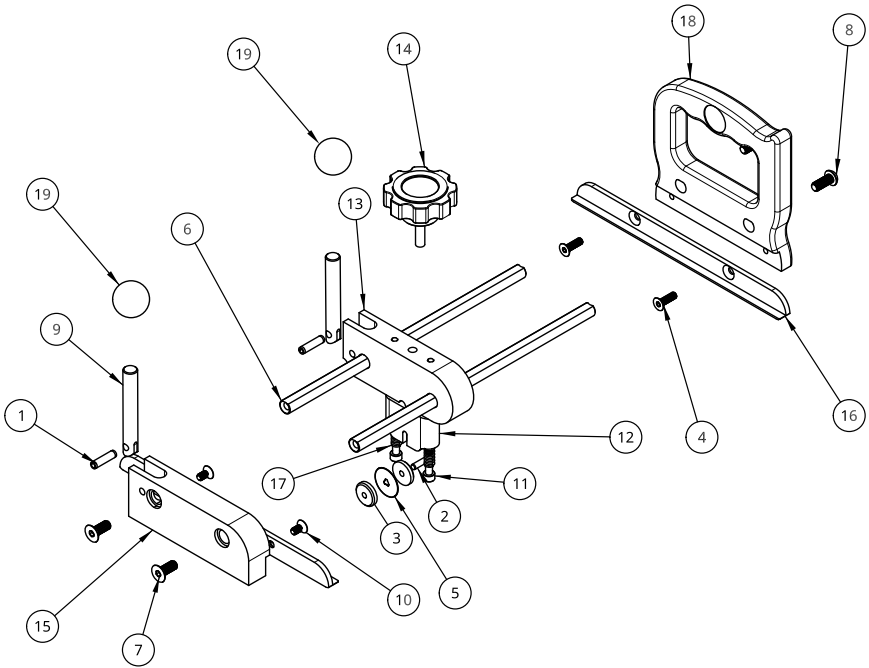
WARRANTY

This product is warranted to the original purchaser only, to be free of defects in material and workmanship under normal use, for one year from purchase date. MARSHALLTOWN® shall without charge for parts and labor, repair or replace such parts which are found to be defective. All transportation charges for replacement parts must be borne by the purchaser. For warranty service, the product must be delivered, with proof of purchase date, to MARSHALLTOWN®. Contact MARSHALLTOWN® Customer Service to determine the best method of delivering the product that is under warranty. The delivery of the product must be made no later than 30 days after the expiration of the warranty period. All implied warranties, including those of merchantability and fitness for a particular purpose, are limited to one year from date of purchase by the original retail customer and to the extent permitted by law any and all implied warranties are excluded and disclaimed after the expiration of such period. Some states do not allow limitations on how long an implied warranty lasts, or the exclusion or limitations of incidental or consequential damages, so the above limitations or exclusions may not apply to you. This warranty gives you specific legal rights, and you may also have other rights, which vary from state to state.

Exclusion from this warranty:

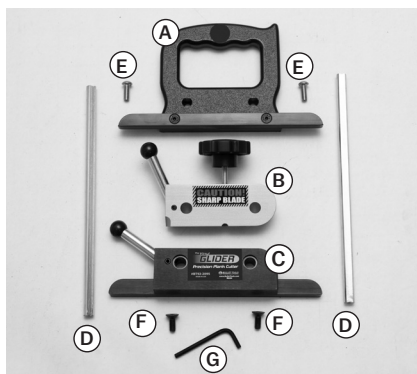
1. All consequential damages, including pickup and delivery of the unit, communication, mileage charges and/or rental of a replacement unit during repairs are not covered under this warranty, or are any loss of income and/or other loss resulting from the failure of the product to function due to a warranty defect.
2. This warranty will not apply when the product becomes inoperative due to misuse, normal wear, neglect, improper maintenance, accident or freight damage; has not been operated and maintained in accordance with the instructions furnished in the Operator's Manual; or has been altered or modified without approval from the factory Service Department.
3. No parts or products are to be returned to the factory without prior written approval from the factory.

PARTS BREAKDOWN



DET.	EDI	PART #	QTY.	DESCRIPTION
1	WR1542	FAS-PIN-1251	2	1/4 X 1 ROLL PIN
2	WR1540	FAS-PIN-0518	1	5MM X 18MM DOWEL PIN
3	R7292	CON-SPC-5201	2	SPACER 7/8 OD X 5MM ID X .178 THK
4	WR1580	FAS-SCW-4620	2	M6-1.0 x 20 FHSCS ZINC PLT
5	29383	MTVR95B	2	BLADE
6	R7283	CON-SFT-5201	2	VINYL GLIDER SLIDE SHAFT
7	WR1559	FAS-SCW-0820	2	M8X20 FHSCS
8	WR1587	FAS-SCW-5821	2	M8-1.25 X 20 BHSCS ZINC PLATED
9	WU949	COT-PIN-5211	2	CAM-ACTION LATCH LEVER FOR VINYL GLIDER/GLIDER ZINC PLATED
10	WR1608	FAS-SCW-9020	2	M6 X 12 FHSCS BLK OXIDE
11	WR1506	FAS-BLT-9010	2	M6 x 45MM SHCS
12	R7162	CON-CRT-5207	1	1.1" BLADE CARTRIDGE
13	WU970	WU970	1	VINYL GLIDER RECEIVER BLOCK - ANODIZED BRIGHT
14	WL813	GEN-KNB-5201	1	KNOB - M8-1.25 MALE STUD - 8 FLUTE
15	WU924	COT-BLK-5206	1	ALUMINUM ADJUSTABLE FENCE BLACK ANODIZED
16	WU933	CON-FNC-0210	2	10" RUNNERS (GLIDER/RIPPER)
17	WR1637	GEN-SPR-5236	2	SPRING, COMPRESSION .360 OD X 1.03L
18	R7194	CON-HAN-5253	1	VINYL GLIDER PLASTIC HANDLE
19	WL791	GEN-CAP-1505	2	BALL KNOB, BLACK WITH 1/2" HOLE

ASSEMBLY



Step 1 – Lay out all of the parts.

- A. Carry Handle Assembly (1x)
- B. Blade Receiver (1x)
- C. Guide Fence (1x)
- D. Guide Rods (2x)
- E. M8-1.25 x 20 BHSCS Hex Drive Screw (2x)
- F. M8-1.25 x 16 Flat Head Hex Drive Screw (2x)
- G. 5mm Hex-Key Wrench (1x)



Step 2 - Insert Guide Rods (D) into holes on side of Carry Handle (A) with the lip.



Step 3 – Attach Guide Rods (D) to the Carry Handle (A) using Screws (E). Tighten Screws (E) using Hex-Key Wrench (G).



Step 4 – Slide Blade Receiver (B) onto Guide Rods (D) so that the Latch Lever is facing you and Carry Handle (A) is on the left.

ASSEMBLY



Step 5 - Attach Guide Fence (C) to Guide Rods (D) with the Latch Lever facing the same direction as Blade Receiver's (B) Latch Lever.

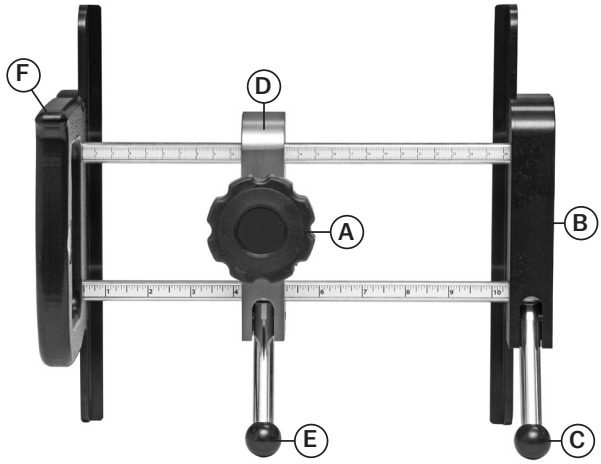


Step 6 - Install and tighten Screws (F) into Guide Rods (D) using Hex Wrench (G).



PRODUCT OPERATION

DET.	PART
A	Depth Knob
B	Guide Fence
C	Latch Lever
D	Blade Receiver
E	Latch Lever
F	Carry Handle



WARNING

Do NOT use the Carry Handle to push the Glider. Blade damage WILL occur.



PRODUCT OPERATION

Notes

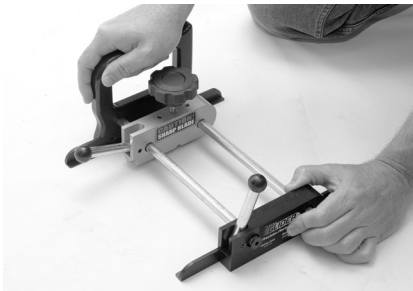
1. This manual refers to WPC, SPC, Rigid-Core, and Luxury Vinyl Plank as “vinyl plank” regardless of the flavor.
2. “Duck-Billed” or other wide-faced pliers make gripping vinyl plank easier for snapping, especially when a strip narrower than 2” is needed.



Step 1 – Retract blade by turning depth knob (A) counterclockwise. You can stop when blade is fully retracted into the receiver. Continue to rotate knob if you would like to remove it completely.



Step 2 - Unlock guide fence (B) by lifting latch lever (C).



Step 3 – Slide guide fence (B) to the widest position.



Step 4 - Place the Vinyl Glider over a vinyl plank.
a. Set the vinyl plank onto the handle side runner.

PRODUCT OPERATION



- Step 5** – Slide guide fence (B) up to the vinyl plank
- Set the vinyl plank onto the fence side runner.
 - Vinyl plank should be captured on both sides.



- Step 6** - Lock guide fence (B) by pressing down on latch lever (C).
- Glider should slide freely over the vinyl plank. If the runners are pinching against the vinyl plank, then release the cam lever and reclamp the guide fence in a looser position.



- Step 7** – Unlock blade receiver (D) by lifting latch lever (E).



- Step 8** - Slide blade receiver (D) to the desired position.



- Step 9** – Lock blade receiver (D) by pressing down the receiver latch lever (E).



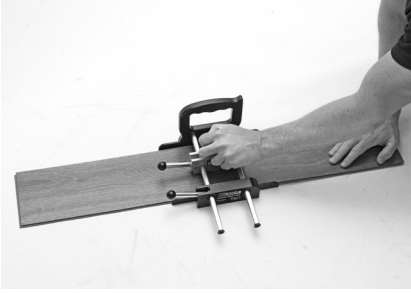
- Step 10** - Extend blade by turning knob (A) clockwise. Blade should cut into vinyl plank by about $\frac{1}{16}$ " (1.5mm).



WARNING
ATTEMPTING TO SCORE A VINYL PLANK WITH THE BLADE
EXTENDED TOO FAR CAN BREAK THE BLADE

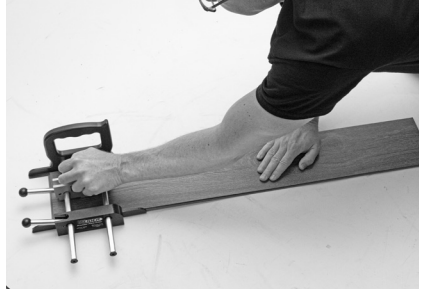


PRODUCT OPERATION



Step 11 – Press firmly down on knob (A) and slide glider along the full length of your vinyl plank.

- a. If vinyl plank will not snap, extend blade further by turning the adjustment knob a half turn and slide the glider back along the vinyl plank.



Step 12 - Slide the glider off the end of the plank.



Step 13 – Starting at one end, flex the vinyl plank up, then down - to snap it along the line.



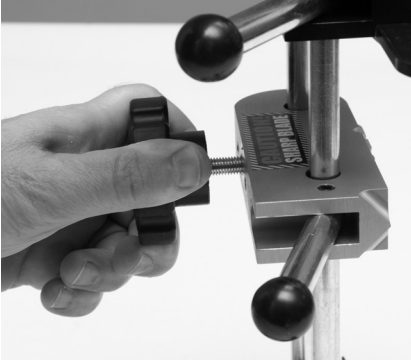
Step 14 – Tips for stubborn planks:

- a. Use duck billed pliers to snap narrow strips
- b. Lean the scored plank against another (or against a small stack) with the score line suspended parallel to the plank, then step on it to flex it. You may need to walk up the length of the plank as it snaps along the score line.

CHANGING THE BLADE



WARNING
BLADE IS EXTREMELY SHARP.
USE CUT RESISTANT GLOVES WHEN CHANGING THE BLADE.



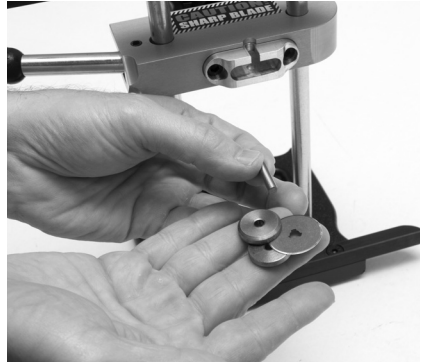
Step 1 – Extend Blade Cartridge by turning the Handle Knob clockwise until it stops. Do not force the knob further.



Step 2 - Use a screwdriver or pen to push the Axle Pin out of the Blade Cartridge.

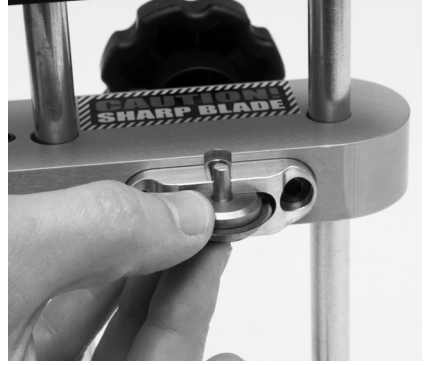
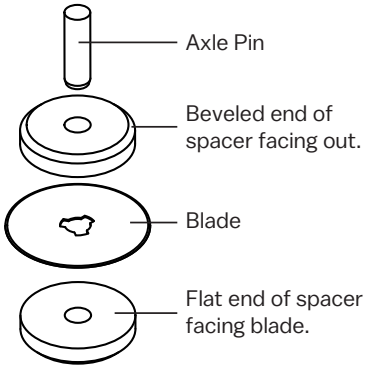


Step 3 – Slide the Blade and Spacers out of the Blade Cartridge.



Step 4 - Discard the old Blade and place a new one into the Axle Pin with a Spacer on either side of the Blade.

CHANGING THE BLADE



Step 5 - Slide the Blade and Spacers back into the Blade Cartridge.



Step 6 - Center the Axle Pin using a screwdriver or pen.



Step 7 - Turn the knob counterclockwise to return the blade to scoring position.

MAINTENANCE

Clean all glue residue from the runners and blade cartridge with mineral spirits or similar solvent before storing.

In humid areas, coat entire Vinyl Glider with WD-40 once a month to prevent corrosion.

NOTES

NOTES

BULLET

A MARSHALLTOWN® BRAND

104 S. 8th Ave., Marshalltown, IA
Phone 800-888-0127 / 641-753-0127
Fax 800-477-6341 / 641-753-6341
www.MARSHALLTOWN.com
WS2712revA