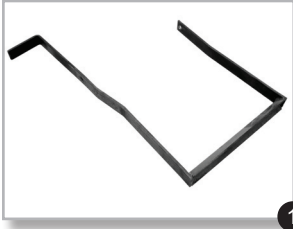


ASSEMBLY

1. Remove the agitator which is packaged upright next to the melter.



1

2. Remove the large outer box.

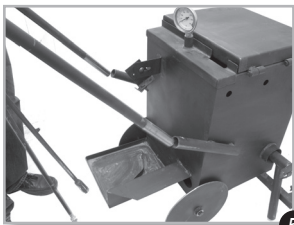
3. Remove the handle which is positioned upright next to the melter by pulling the handle away from the melter and lifting.



3

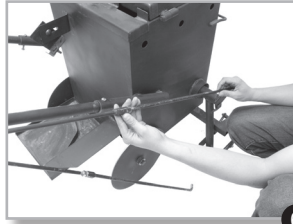
4. With two people, carefully lift the melter body out of and away from the base of the box.

5. Take handle (with rods on right) and insert it into the steel sleeves on the outside of the melter and line up the holes in the handle and the holes in the sleeves on the melter and secure with the bolts and nuts provided.



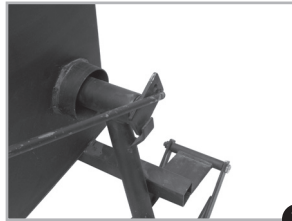
5

6. Connect two rods that were shipped inside of the melter to the levers on the melter handle.



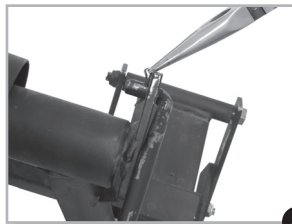
6

7. Connect the material release lever (large lever on inside of handle) to the rectangular plate above the shoe. This plate must face the front of the melter when it is connected and the rod should be inserted into the lowest hole.



7

8. Insert cotter pin to secure the rod.



8

9. Connect the shoe height lever (large lever on the inside of the handle) to the shoe.



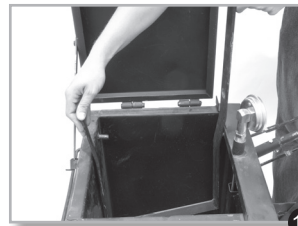
9

10. Insert cotter pin to secure the rod.



10

11. CAUTION: Do Not Pinch Fingers between agitator and melter. Lift lid of the melter and then angle agitator to fit into the melter with the long end of agitator on the same side as the shoe and thermometer.



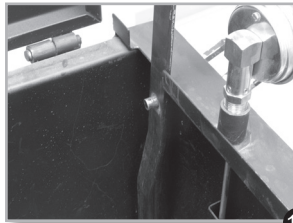
11

12. Place short end of agitator on the peg on the inside of the melter.



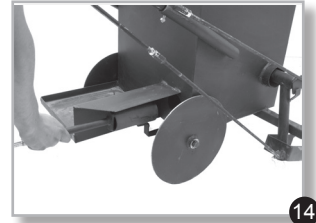
12

13. Apply pressure on long end of agitator and place on the other peg in the melter.



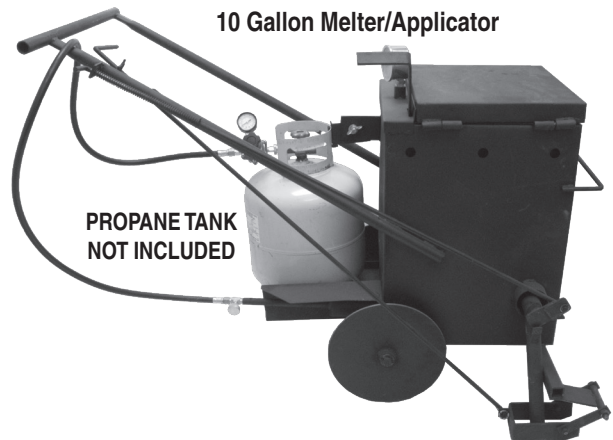
13

14. Connect torch to propane bottle and place torch into slot under melter.

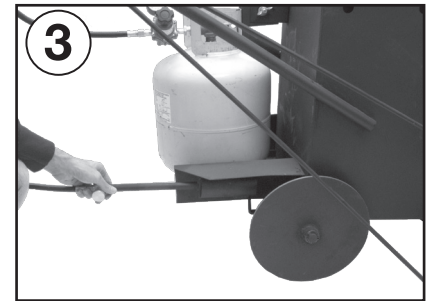
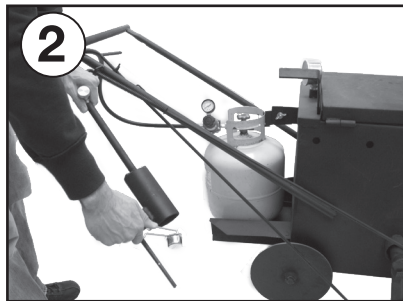
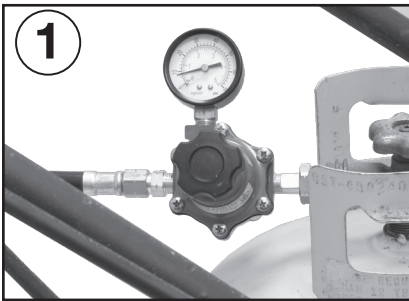


14

MARSHALLTOWN's Portable Asphalt Melter/Applicator is the fastest and most efficient method for the application of hot applied crack sealants. The RED704987 will also apply materials from stationary kettles or any large melter. It can be used without heat for cold pour materials. Equipped with steel wheels, and a spring loaded hand controlled release valve. It has a steel shoe for striking off the sealant with a uniform width. Comes with burner assembly, hose, regulator, temperature gauge and platform for propane bottles (propane bottle not included). Various shoe widths are available. This unit is easy to maneuver for following cracks. No heavy dragging like other wheeled applicators. Many times faster than hand held pour pots.



CAUTION! Safety precautions must be observed while using all **MARSHALLTOWN** equipment. Failure to follow instructions can result in personal injury or damage to the equipment. Caution must be used at all times.



Keep applicator at least six feet away from combustible material. Remove product to be applied from the box and load it into kettle. If product has a plastic bag it will melt into heated product when stirred.

Remove torch from kettle before lighting. Turn regulator to 8 PSI (Figure 1) to light torch. Open valve on torch and light using supplied torch flint spark lighter (Figure 2). Never put lit torch into empty kettle. After lighting torch, insert it into the kettle heating chamber (Figure 3) on low pressure without smothering the flame. Inserting torch when flame is running full pressure will likely smother flame before updraft begins. If that happens turn off regulator and remove torch from chamber. Wait five minutes before re-lighting. This will allow for any unburned gas to vent, making it safe to re-ignite the torch.

Position the torch in the center of the burner chamber making sure to remove any obstacles or obstructions. As the torch starts to heat the chamber the updraft will allow you to increase the flames intensity to the desired level.

Always follow block manufacturer's melting instructions. While heating, remember that heat penetrates the block of material slowly. The Melter/Applicator is designed to draw off liquid for use as soon as the pouring temperatures are reached. (See manufacturer's recommendations for material you are using). Waiting for the material blocks to completely melt is inefficient and time consuming. For best results material should be used as it liquefies. Frequent stirring will speed melting rate. High flame or extended heating of some materials over 400 degrees can adversely affect the elastomeric polymers.

Never allow material to exceed 400 degrees Fahrenheit. Flashing can occur when temperature exceeds 400 degrees. Regular operation temperature can be achieved with the half of full flame. If material becomes too hot, remove the torch immediately and allow cooling to safe operating temperature.

If flashing does occur, close cover, turn off gas and remove torch from chamber. **Never use water on a hot applicator fire.** Only use an approved fire extinguisher rated for oil fires. It is important to have a proper extinguisher available at all times when using the applicator.

There is no need to drain the kettle after use. However, it is easier to start the next day with minimal leftover material. **WARNING! Never allow torch to fire in an empty kettle.**

If the vent holes are covered while the torch is operating the torch will extinguish itself. Cover the applicator when not in use to prevent water from collecting in the pan.

After each use inspect hose, regulator and torch for unusual wear, cracks and or blockages. Repair and or replace as needed.

Marshalltown, IA USA • Phone 800-888-0127 • 641-753-0127 • www.MARSHALLTOWN.com

Printed in U.S.A. • Impreso en E.U.A. • Imprimé aux États-Unis.