

## OPERATOR'S MANUAL & PARTS LIST FOR CONCRETE MIXERS

**WHEEL KITS  
MODELS**  
69000 LS Hand Tow Kit  
75885  
69004 HS Wheel Kit  
75886

This operator's manual has been prepared to provide you with the information needed to assemble your wheel kits properly.

Read the appropriate instructions in this manual carefully before attempting to assemble or operate wheel kits.

### LOW SPEED HAND TOW KIT MOUNTING INSTRUCTIONS

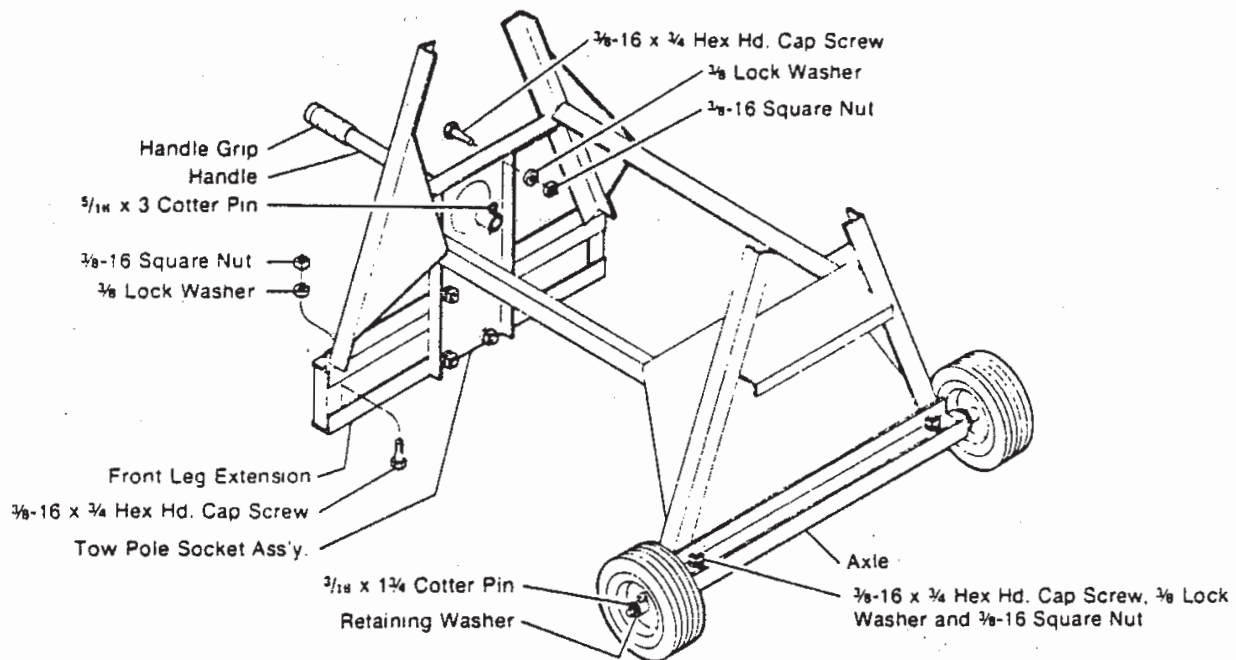


FIG. 1

1. Remove both wood skids from the mixer frame.
2. Assemble wheels to axle. Slide wheel onto end of axle and secure with a retaining washer and 3/16 x 1 1/4 cotter pin. See Figure 1.
3. Secure axle to power side of mixer frame. Secure with (2) 3/8-16 x 3/4 hex hd. capscrews, 3/8 lockwashers and 3/8-16 square nuts. See Figure 1.
4. Secure front leg extension, Fig. 1, to tilt side of mixer frame. Secure with (2) 3/8-16 x 3/4 hex hd. capscrews, 3/8 lockwashers and 3/8-16 square nuts.
5. Assemble tow pole socket ass'y to mixer as shown in Figure 1. Secure to frame using (6) 3/8-16 x 3/4 hex. hd. capscrews, 3/8 lockwashers and 3/8-16 square nuts.
6. Slip handle grip onto the handle.
7. Slide handle through hole in tow pole socket ass'y and secure with a 3/16 x 3" cotter pin. See Figure 1.

**IMPORTANT!** Before using, lubricate wheels with a good grade of grease. Annual or periodic lubrication is recommended under normal use.

## HIGH SPEED WHEEL KIT MOUNTING INSTRUCTIONS

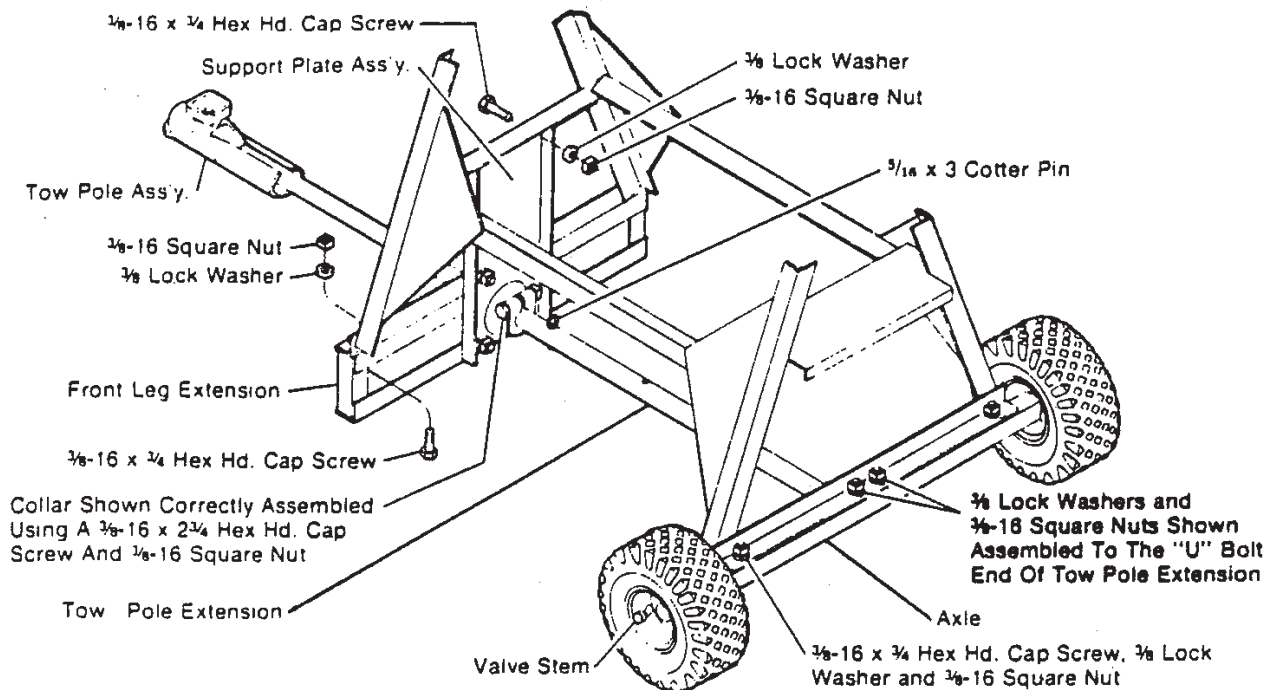


FIG. 2

1. Remove both wood skids from the mixer frame.
2. Assemble wheels to wheel hubs. The hubs, bearings, axle nuts, cotter pins and hub caps have been assembled to the axle at the factory. **NOTE:** Wheels should be mounted so valve stems are to the outside. See Figure 2.
3. Secure axle to power side of mixer frame. Secure with (2)  $\frac{1}{8}$ -16 x  $\frac{1}{4}$  hex hd. capscrews,  $\frac{1}{8}$  lockwashers and  $\frac{1}{8}$ -16 square nuts. See Figure 2.
4. Secure front leg extension, Fig. 2, to tilt side of mixer frame. Secure with (2)  $\frac{1}{8}$ -16 x  $\frac{1}{4}$  hex hd. capscrews,  $\frac{1}{8}$  lockwashers and  $\frac{1}{8}$ -16 square nuts.
5. Secure support plate ass'y to mixer as shown in Figure 2. Secure to frame using (6)  $\frac{1}{8}$ -16 x  $\frac{1}{4}$  hex hd. capscrews,  $\frac{1}{8}$  lockwashers and  $\frac{1}{8}$ -16 square nuts.
6. Slide collar onto the tow pole extension. Insert end of tow pole extension through hole in support plate. Secure "U" bolt end of tow pole extension to axle using (2)  $\frac{1}{8}$ " lockwashers and  $\frac{1}{8}$ -16 square nuts. See Figure 2.

7. Insert end of tow pole ass'y into the tow pole extension. Line up holes and secure in position with a  $\frac{3}{16}$  x 3" cotter pin. See Figure 2.

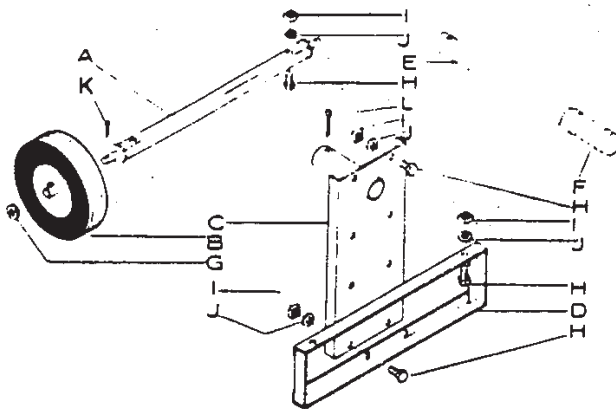
8. Secure collar by sliding collar tight against support plate and locking with a  $\frac{1}{8}$ -16 x  $2\frac{1}{4}$  hex hd. capscrew and a  $\frac{1}{8}$ -16 square nut. See Figure 2.

Follow instructions furnished with trailer hitch to properly attach hitch to car or truck. **DO NOT** pull mixer over 25 mph.

**TIRE PRESSURE** — Tires are normally over-inflated for shipping. The recommended operating tire pressure is 15-20 lbs.

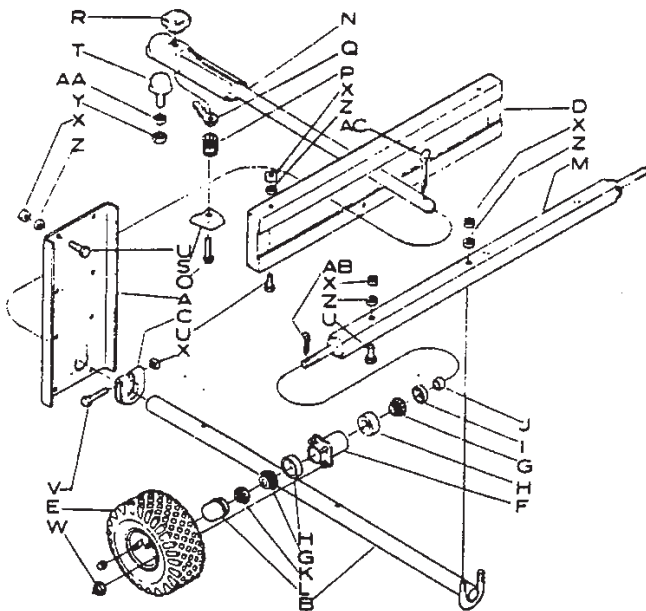
**LUBRICATION** — The wheel bearings have been thoroughly lubricated at the factory. However, annual or periodic lubrication with a good grade of grease is recommended under normal use.

### LOW SPEED WHEEL KIT PARTS AND PARTS LIST



LET.	PART NO.	DESCRIPTION
A	5289	Axle Assembly
B	5290	Tire and Wheel Assembly
C	5293	Tow Pole Socket Assembly
D	5295	Front Leg Extension
E	5296	Handle
F	5205	Grip
G	5291	Washer
H		Capscrew, Hex Hd. 3/8-16 x 3/4
I		Nut, Square 3/8-16
J		Lockwasher, 3/8
K		Cotter Pin, 3/16 x 1 1/4 Plated
L		Cotter Pin, 5/16 x 3

### HIGH SPEED WHEEL KIT PARTS AND PARTS LIST



LET.	PART NO.	DESCRIPTION
A	29127	Support Plate Assembly
B	29128	Tow Pole Extension
C	29134	Collar
D	5295	Front Leg Extension
E	5204	Tire and Wheel Assembly
	29138	Tire, 4.10/3.00 x 4
	29139	Tube
	3823	Valve Cap
F	5306	Wheel Hub
G	5023	Bearing Cone (1140)
H	5022	Bearing Cup (1044)
I	5303	Seal
J	5302	Spacer
K	5307	Axle Nut
L	5309	Hub Cap
M	5297	Axle Assembly
N	5298	Tow Pole Assembly
O	29149	Carriage Bolt
P	29150	Spring, Hitch
Q	29151	Lock, Handle
R	29152	Handle
S	29153	Lock, Ball
T	29155	Hitch Ball
U	*	Capscrew, Hex Hd. 3/8-16 x 3/4
V	*	Capscrew, Hex Hd. 3/8-16 x 2 3/4 P
W	*	Nut, Hex Cone Lock 5/16-24 Pl.
X	*	Nut, Square 3/8-16
Y	*	Nut, Hex 5/8-11
Z	*	Lockwasher, 3/8
AA	*	Lockwasher, 5/8
AB	*	Cotter Pin, 1/8 x 1 1/2 Plated
AC	*	Cotter Pin, 5/16 x 3

\*Common hardware. May be purchased locally.